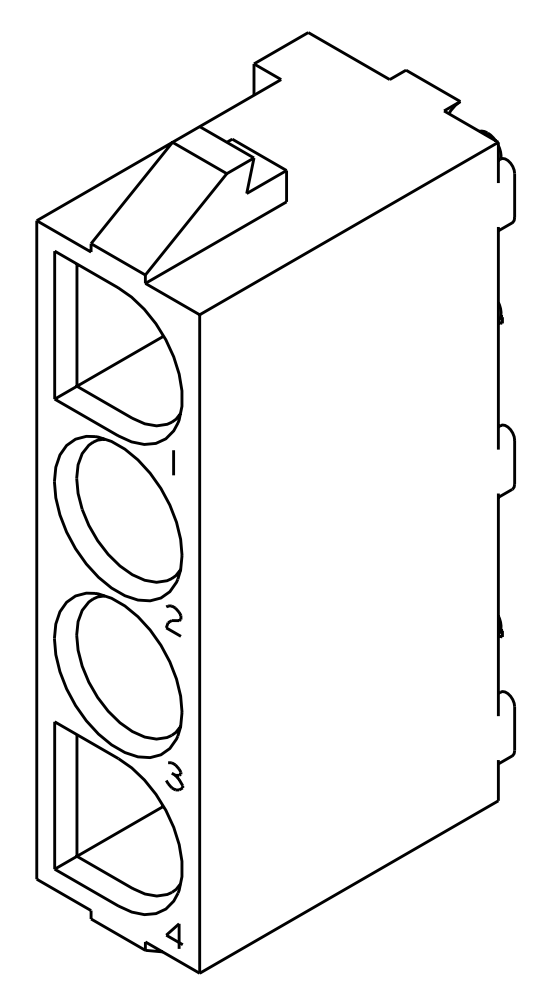
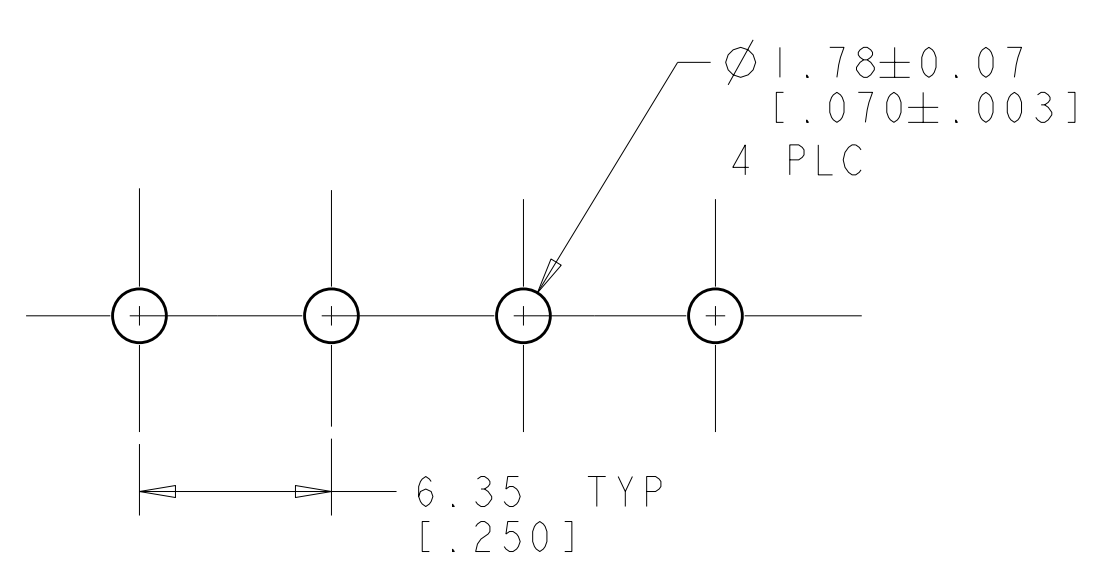
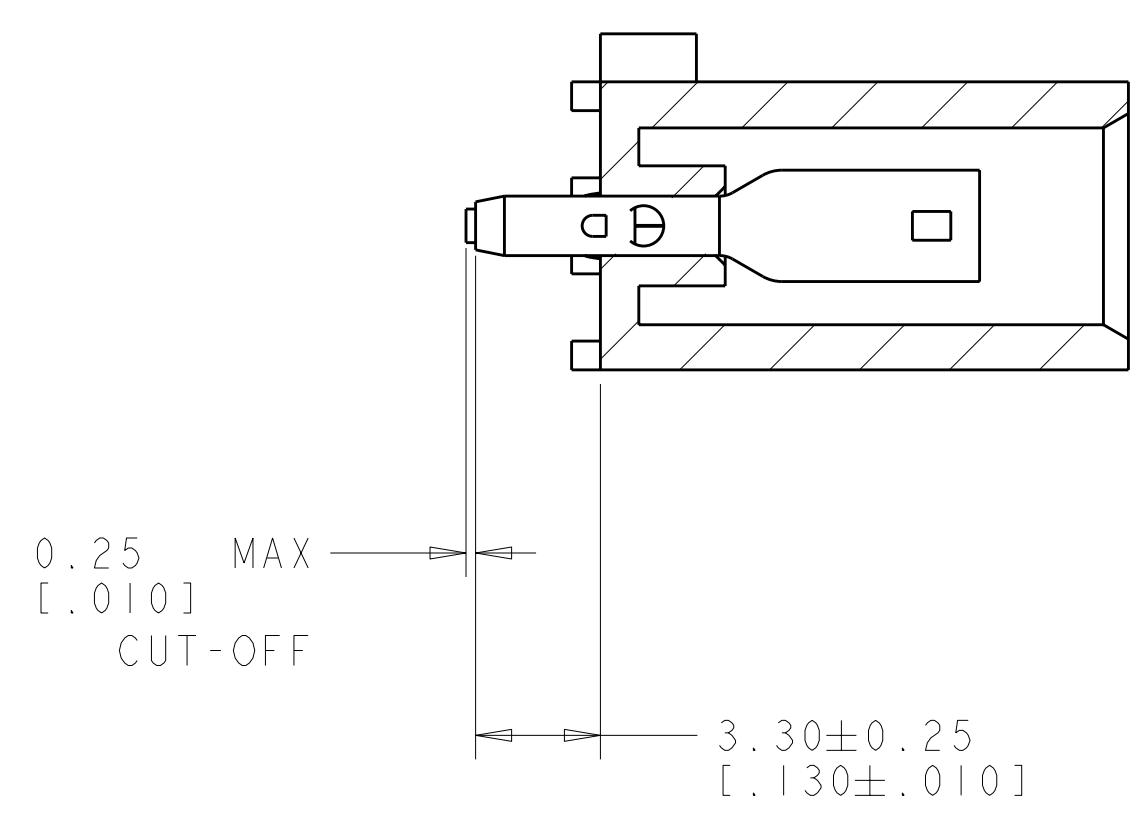
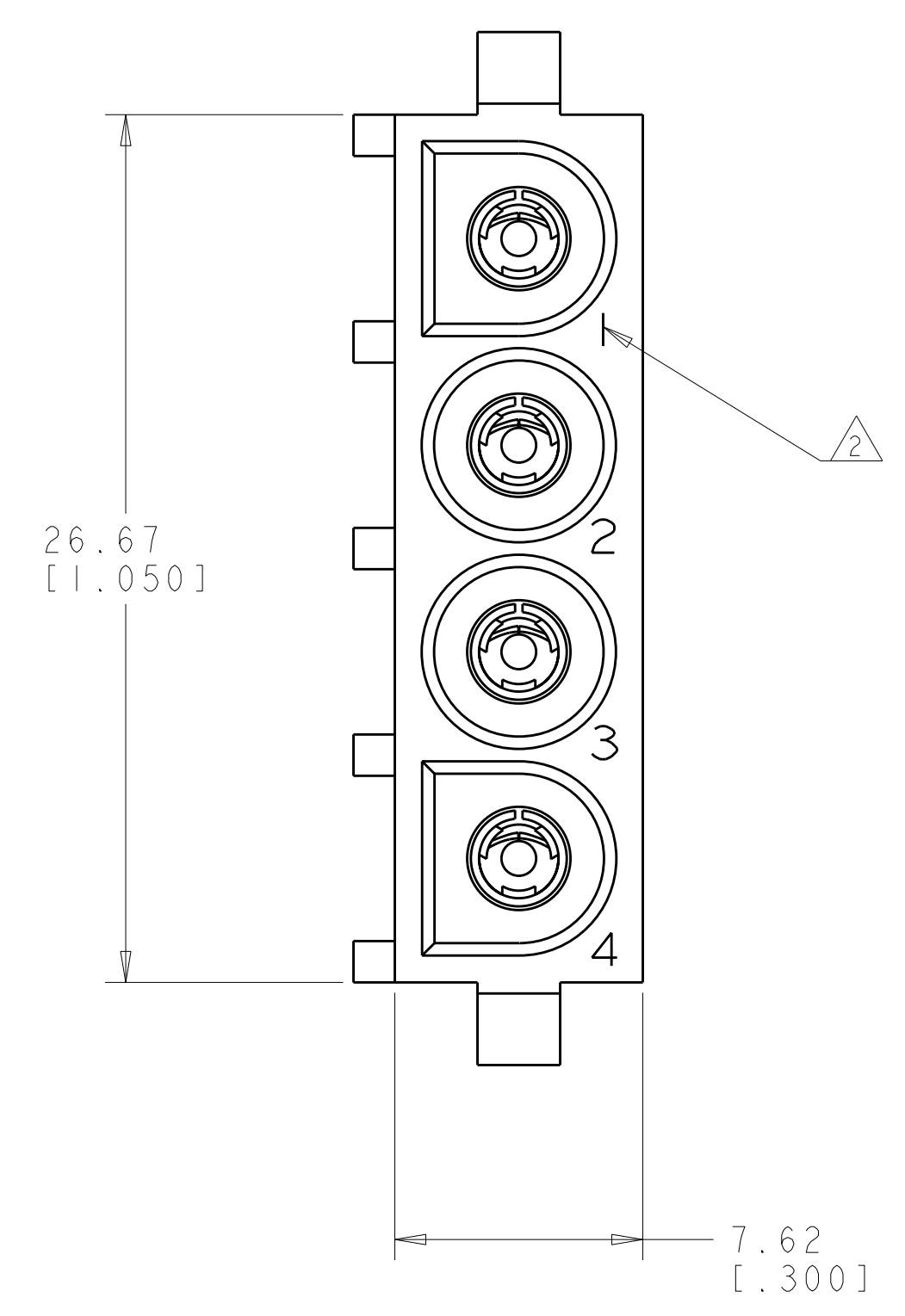
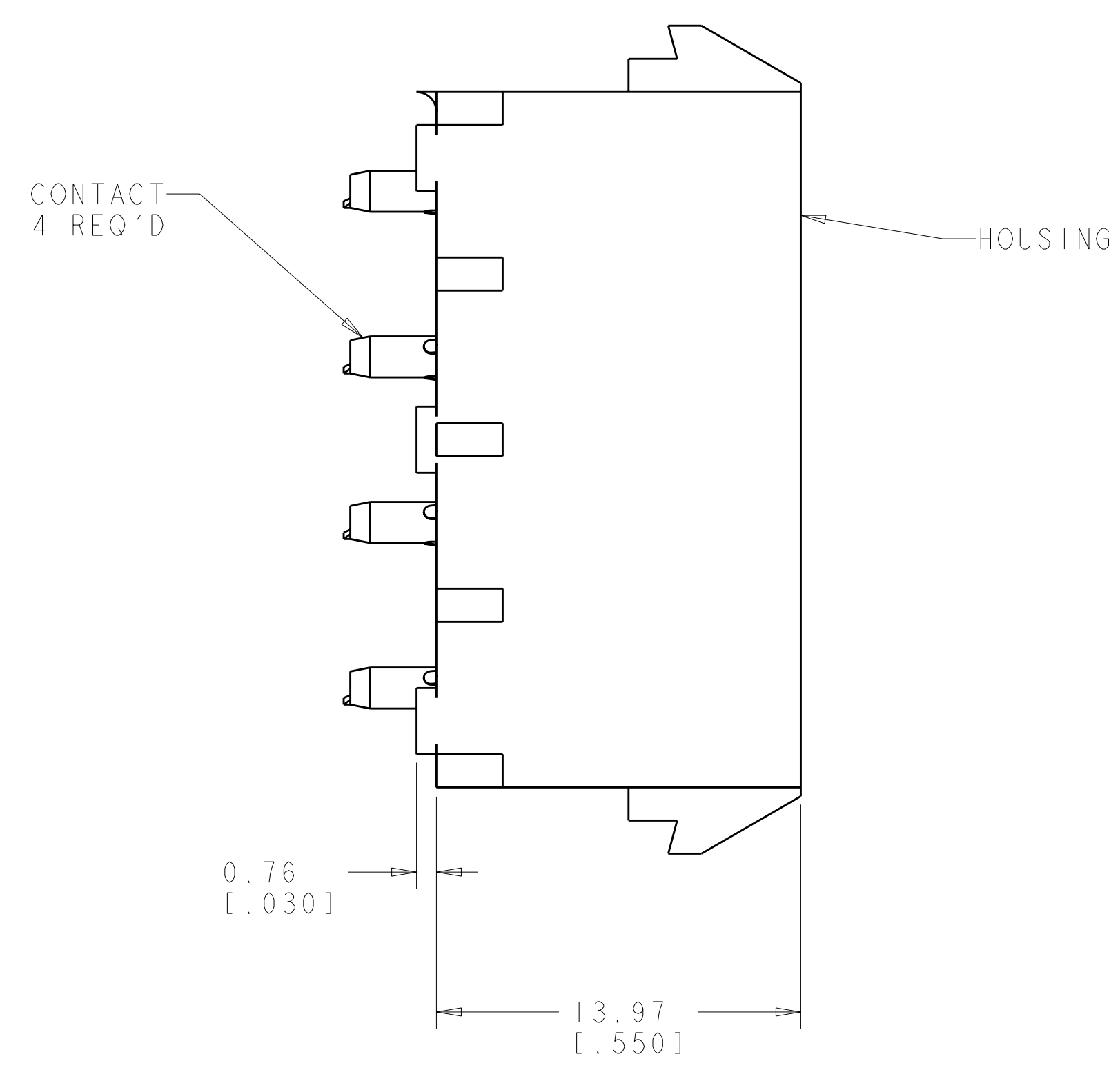
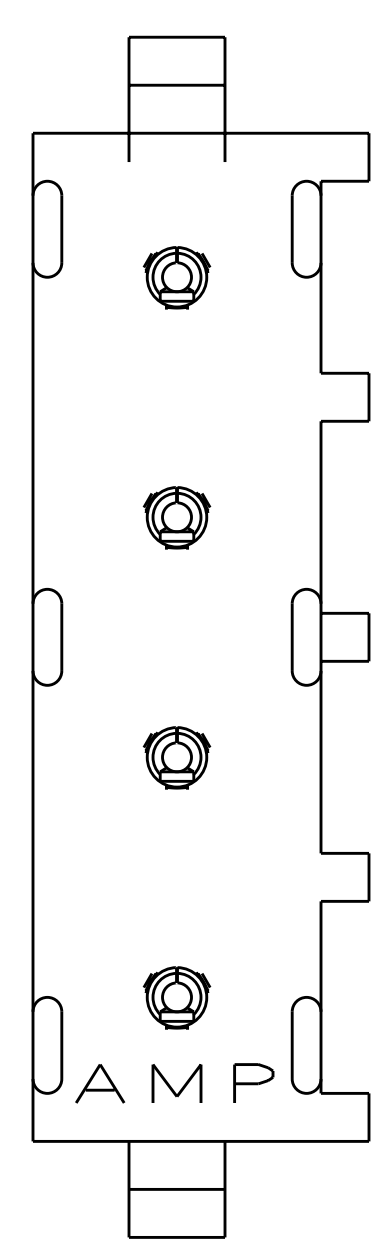


LOC	DIST	REVISIONS			
		REV	DATE	DWN	APVD
CM	00	A	RELEASED PER WR-07-123	25SEP2007	KW DC

1. PARTS COMPLY TO AMP SOLDERABILITY SPECIFICATION 109-11-2.
 2. CIRCUIT IDENTIFICATION CHARACTERS ARE ADJACENT TO THE INDICATED CAVITIES, BUT LOCATION AND ORIENTATION MAY DIFFER FROM PRINT.



3 DIMENSIONAL MODEL
 SCALE 4:1

RECOMMENDED MOUNTING HOLE PATTERN
 FOR 1.57 [.062] THICK P.C. BOARD

PHOSPOR BRONZE, PRE-TIN PIN CONTACT MATERIAL AND FINISH	NYLON, UL94V-0, NATURAL HOUSING MATERIAL AND COLOR	2029001-1 PART NUMBER
--	---	--------------------------



DIMENSIONS: mm [INCHES]		TOLERANCES UNLESS OTHERWISE SPECIFIED:		DWN R. WHITAKER 25SEP2007 CHK D. COLEY 25SEP2007 APVD D. COLEY 25SEP2007		Tyco Electronics Harrisburg, PA 17105-3608	
0 PLC ± 1 PLC ± 2 PLC ±0.13(.005) 3 PLC ± 4 PLC ± ANGLES ±	± ± ± ± ±	PRODUCT SPEC APPLICATION SPEC WEIGHT	NAME SOCKET HEADER ASSEMBLY, 4 CIRCUIT, SHORT TAIL, UNIVERSAL MATE-N-LOK(TM)	SIZE A11	CAGE CODE 00779	DRAWING NO C-2029001	RESTRICTED TO REV A
MATERIAL SEE TABLE		FINISH SEE TABLE		CUSTOMER DRAWING		SCALE 5:1 SHEET 1 OF 1	