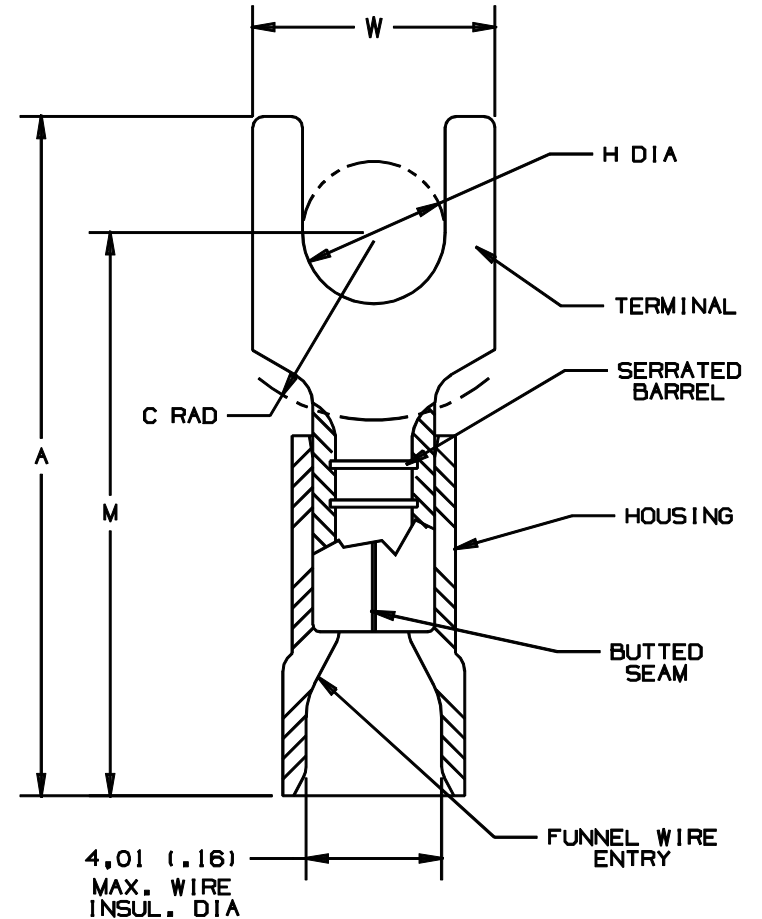


THIS COPY IS PROVIDED ON A RESTRICTED BASIS AND IS NOT TO BE USED IN ANY WAY DETRIMENTAL TO THE INTERESTS OF PANDUIT CORP.


PANDUIT PART NUMBER		STUD SIZE	DIMENSIONS mm				
PREFIX	PKG		A ±0,51	W ±0,25	C ±0,38	M ±0,51	H ±0,25
PMV1-3FB	-C -M	M3	21,59 (.85)	5,84 (.23)	4,83 (.19)	18,03 (.71)	3,30 (.13)
PMV1-4FB	-C -M	M4	23,11 (.91)	8,13 (.32)	5,84 (.23)	18,80 (.74)	4,32 (.17)
PMV1-5FB	-C -M	M5	23,62 (.93)	9,14 (.36)	6,10 (.24)	19,30 (.76)	5,08 (.20)
PMV1-6FB	-C -M	M6	27,94 (1.10)	11,18 (.44)	8,13 (.32)	21,59 (.85)	6,60 (.26)

NOTES:

- USED FOR:
 - A. 600V MAX. VOLTAGE RATING
 - B. 105°C (221°F) MAX. TEMP. RATING
 - C. 0,5-1,5mm² (#22-18 AWG), SOLID OR STRANDED, COPPER WIRE
- MATERIAL:
 - A. STAMPING - 0,81mm (.03) THK COPPER, TIN PLATED
 - B. HOUSING - RED VINYL
- DIMENSIONS IN BRACKETS ARE IN INCHES.
- PACKAGING QTY:
 - A. STD. -C = 100
 - B. BULK -M = 1000



A41426_02

02	7/01	JAMB		ADDED PACKAGING CODE TO TABLE AND NOTES.				 TINLEY PARK, ILLINOIS 2PC. VINYL INSULATED METRIC FORKS 0,5-1,5mm ² BARREL
01	1/01	RM	SKB	FILESPEC WAS A41426A::1.L1	08937	TRO	JAC	
00	7-90	JV	RLS	RELEASED	00756	RM	LCA	
REV	DATE	BY	CHK	DESCRIPTION	ECN #	PM	CUST	DRAWN BY JMV Ck'D RLS SCALE NONE DRAWING NO. A41426