

8 7 6 5 4 3 2 1

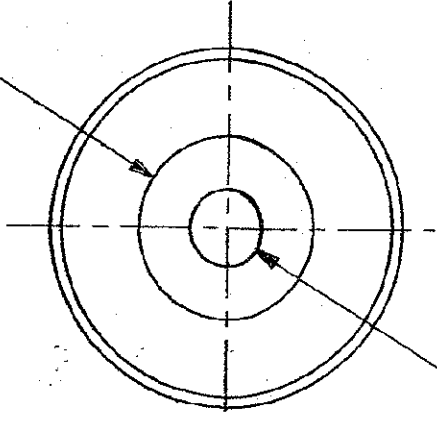
DO NOT SCALE

DIMENSIONS IN MM.

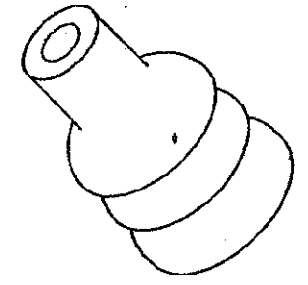


C.A.D. FILE CODE
S. C348989.A

∅2.6



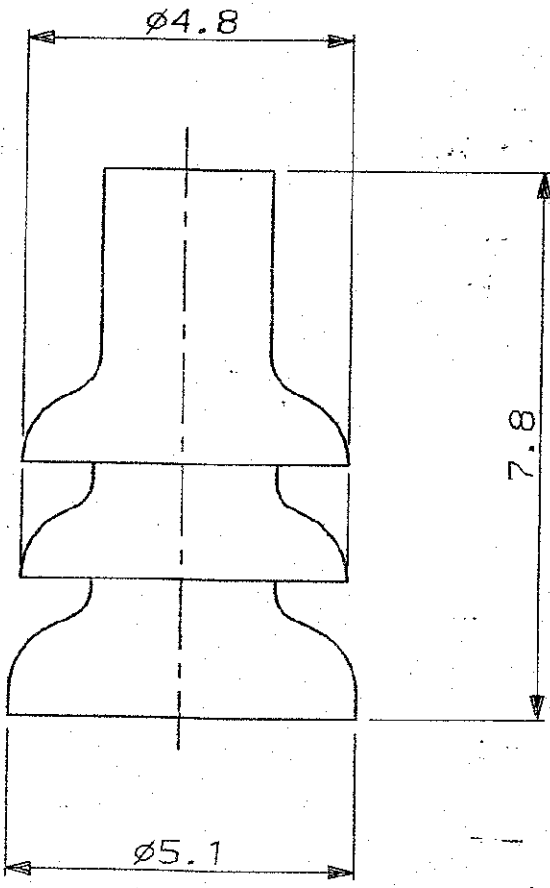
BORE (SEE NOTE 1)



AMP

NOTES:

1 THIS SEAL IS SUITABLE FOR WIRE RANGE 0.5 TO 1.5 mm² AND INSULATION DIAMETERS OF 1.5 TO 2.4 mm. IT IS ALSO SUITABLE FOR 2 mm² WIRE, WHERE THE INSULATION DIAMETER IS 2.4 mm MAX.



RED	SELF-LUBRICATING SILICONE RUBBER	348989-1
COLOUR	MATERIAL	PART NUMBER
CUSTOMER DWG FOR REFERENCE ONLY		RELEASED FOR PUBLICATION 05 APR 1995
©COPYRIGHT 1995 BY AMP OF GREAT BRITAIN LTD. ALL INTERNATIONAL RIGHTS RESERVED. ALL PRODUCTS MAY BE COVERED BY BRITISH AND FOREIGN PATENTS AND/OR PATENTS PENDING.		DR. R.J.S. 5.4.95
TOLERANCES UNLESS OTHERWISE STATED DEC ± 0.5 ANGLES ± 1°		CH. G.L. APP. M.W.
NAME .070 SERIES CABLE SEAL ECONOSEAL 3 LOW CURRENT		AMP of Great Britain Ltd. TERMINAL HOUSE STANMORE MIDDX.
A RELEASED	ESDD-004-01 16.02.01	SCALE LOC SIZE DWG.No. REV SHEET
1 PRELIM. ISSUE	5.4.95	10/1 E A3 C348989 A 1/1
REV MODIFICATION	CHANGE No. DATE	