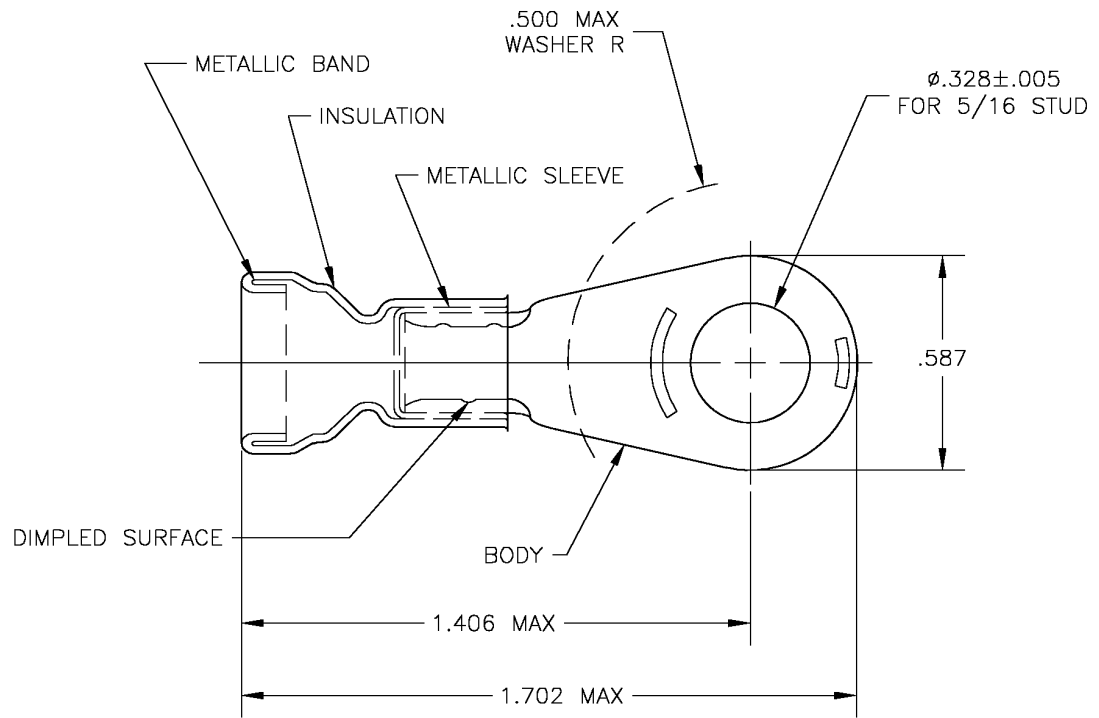


THIS DRAWING IS UNPUBLISHED. RELEASED FOR PUBLICATION
 © COPYRIGHT BY TYCO ELECTRONICS CORPORATION. ALL RIGHTS RESERVED.

LOC	DIST	REVISIONS			
P	LTR	DESCRIPTION	DATE	DWN	APVD
G	14	C	REDRAWN PER 0G3A-0589-03	030CT03	JR MS



- 1 TONGUE MATERIAL THK IS .040±.003
- 2 FOR .377 MAX WIRE INSULATION DIA.
- 3 WIRE SIZE: 8

1	BODY: COPPER PER ASTM B152 TIN PLATE PER ASTM B545 INSULATION: PVC, COLOR RED METALLIC SLEEVE: COPPER ASTM B152 METALLIC BAND: STEEL QQ-S-698 ASTM A109	328525-0
QTY	MATERIAL & FINISH	PART NO.

DIMENSIONS: INCHES		TOLERANCES UNLESS OTHERWISE SPECIFIED:	DWN	020CT03		Tyco Electronics Corporation Harrisburg, PA 17105			
		0 PLC ± - 1 PLC ± - 2 PLC ± - 3 PLC ± .008 4 PLC ANGLES ± 5'	jr ruth	030CT03		NAME	WIRE TERMINAL AMPLI-BOND, RING TONGUE WIRE SIZE: 8		
MATERIAL SEE TABLE		FINISH SEE TABLE	MJ SPICER	030CT03	PRODUCT SPEC	SIZE	CAGE CODE	DRAWING NO	RESTRICTED TO
			APVD	MJ SPICER	APPLICATION SPEC	A3	00779	328525	
			WEIGHT	-	CUSTOMER DRAWING	SCALE	3:1	SHEET	1 OF 1
								REV	C