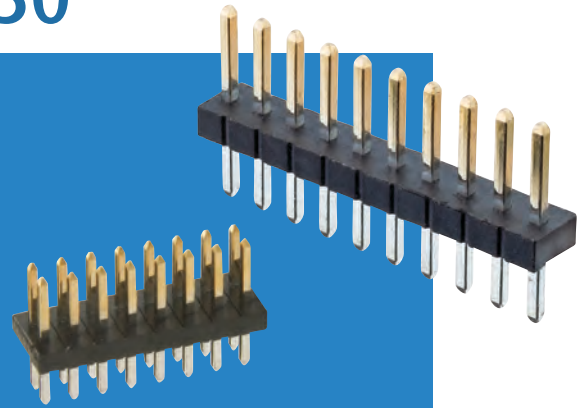


# Archer Connectors – M50

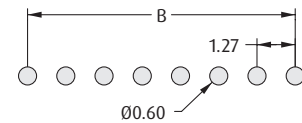
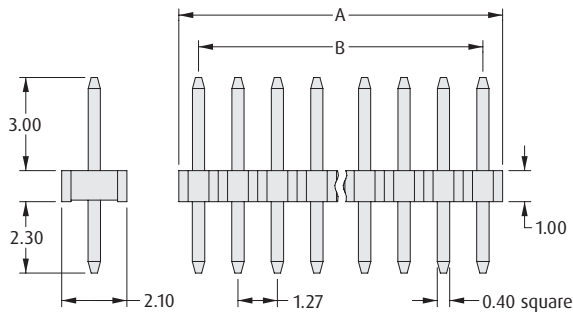
## Male PC Tail Vertical

- Suitable for use with female connectors and jumper sockets.
- Also available with variable dimensions.



1.27mm (.050") PITCH

### SINGLE ROW

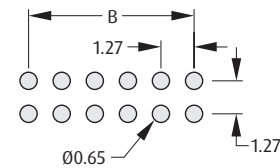
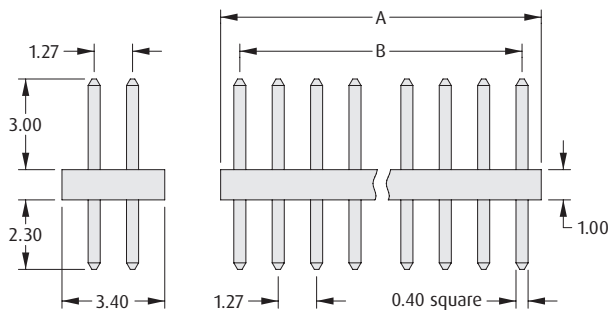


Recommended PC Board Pattern

### CALCULATION

<b>A</b>	$1.27 \times \text{No. of contacts per row}$
<b>B</b>	$1.27 \times (\text{No. of contacts per row} - 1)$

### DOUBLE ROW



Recommended PC Board Pattern

### HOW TO ORDER

**M50 - 35 X XX 42**

**SERIES CODE**

**TYPE**

<b>0</b>	Double Row
<b>3</b>	Single Row

**FINISH**

**42** Gold + Tin

**NO. OF CONTACTS PER ROW**

<b>02 to 50</b>	Double Row
<b>02 to 06, 08, 10, 20</b>	Single Row

All dimensions in mm.