



PRODUCT DATASHEET

Florence series

last update 30/3/2017

DETAILS

Product Number	FS15847_FLORENCE-3R-IP-O
Family	Florence
Type	Assembly
Color	clear
Diameter	321 + 79 mm
Height	mm
Style	rectang
Optic Material	PC,Silicone
Holder Material	
Fastening	
Status	production ready
ROHS Compliant	Yes
Date Updated	30/03/2017



OPTICAL PROPERTIES

LED	Viewing Angle	Light Beam	Efficiency	cd/lm	Connector
LG 6030	84+40 deg		86 %	0.680	-

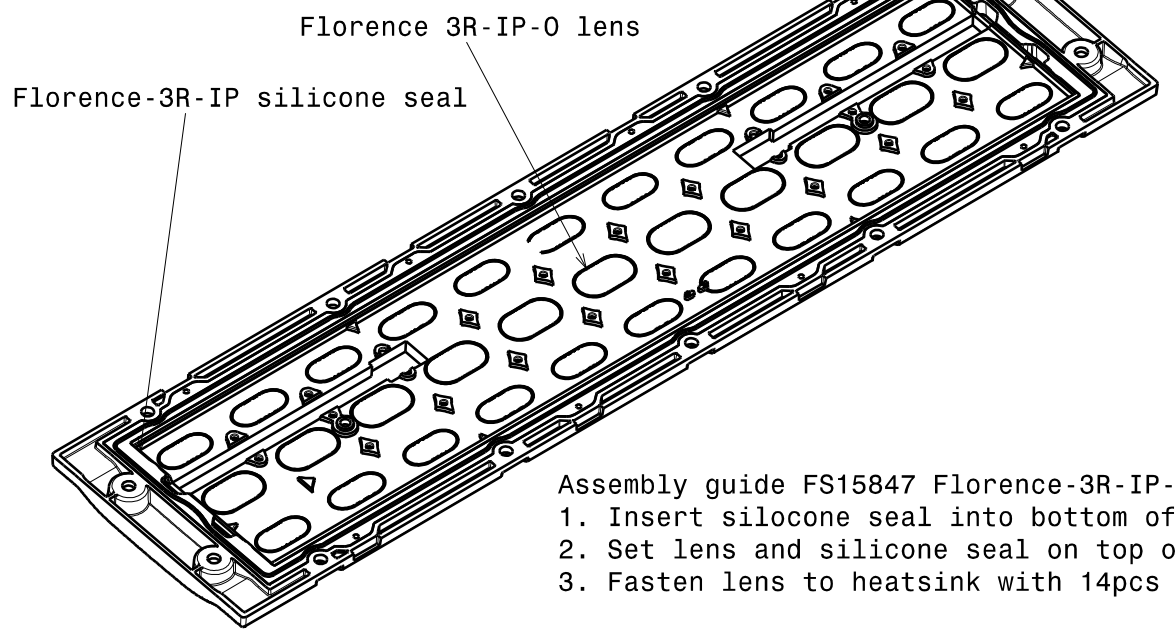
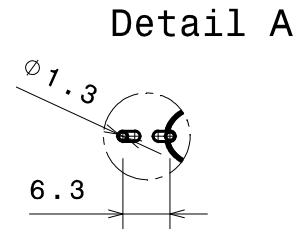
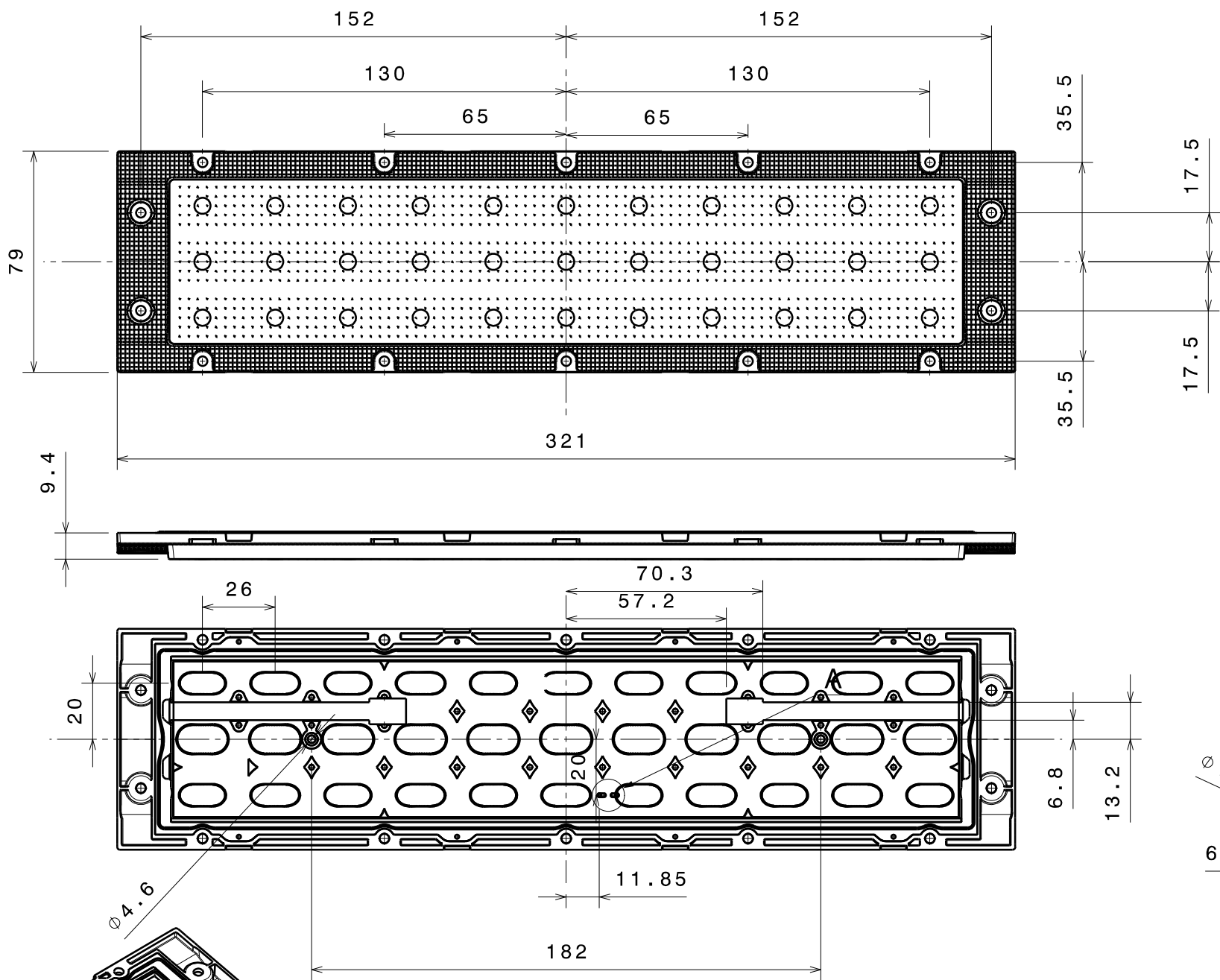
H G F E D C B A

4

3

2

1



Assembly guide FS15847 Florence-3R-IP-0:
 1. Insert silicone seal into bottom of Florence-3R-IP-0 lens
 2. Set lens and silicone seal on top of PCB
 3. Fasten lens to heatsink with 14pcs of M3 screws

Screw type DIN 7985 M3, Max torque 0.6Nm

INDEX	PART NO	DESCRIPTION	MATERIAL	COLOUR
1	F15625	FLORENCE-3R-IP-Seal	Silicone	
2	F15675	FLORENCE-3R-IP-0	PC	

Tolerances if not otherwise shown
 According to DIN ISO 2768-1
 Linear measures:
 Up to 30mm class M, otherwise class C.
 According to DIN ISO 2768-2
 Form and position: class L

LEDiL LediL Oy
 Salorankatu 10
 FIN 24240 SALO
 Finland

THIRD ANGLE PROJECTION:

DRAWING TITLE
 FS15827_Florence-3R-IP-0_Mechanical_drawing

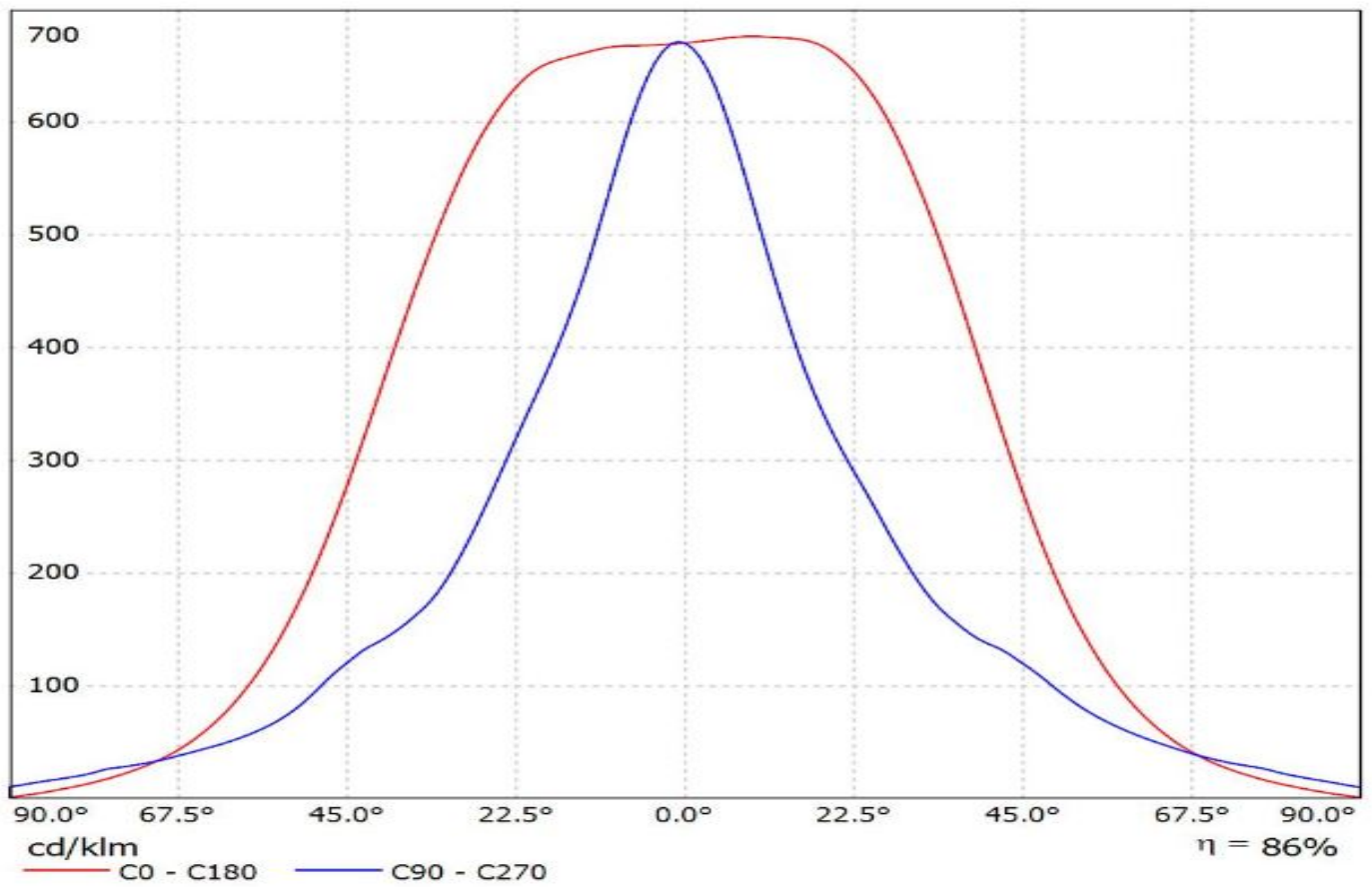
This drawing is the property of LEDiL Oy. It may not be reproduced, copied or communicated without a written agreement with LEDiL Oy.

SIZE **PART NUMBER**
A3 **FS15827**

SCALE 1:1 **WEIGHT** g **SHEET** 1/1

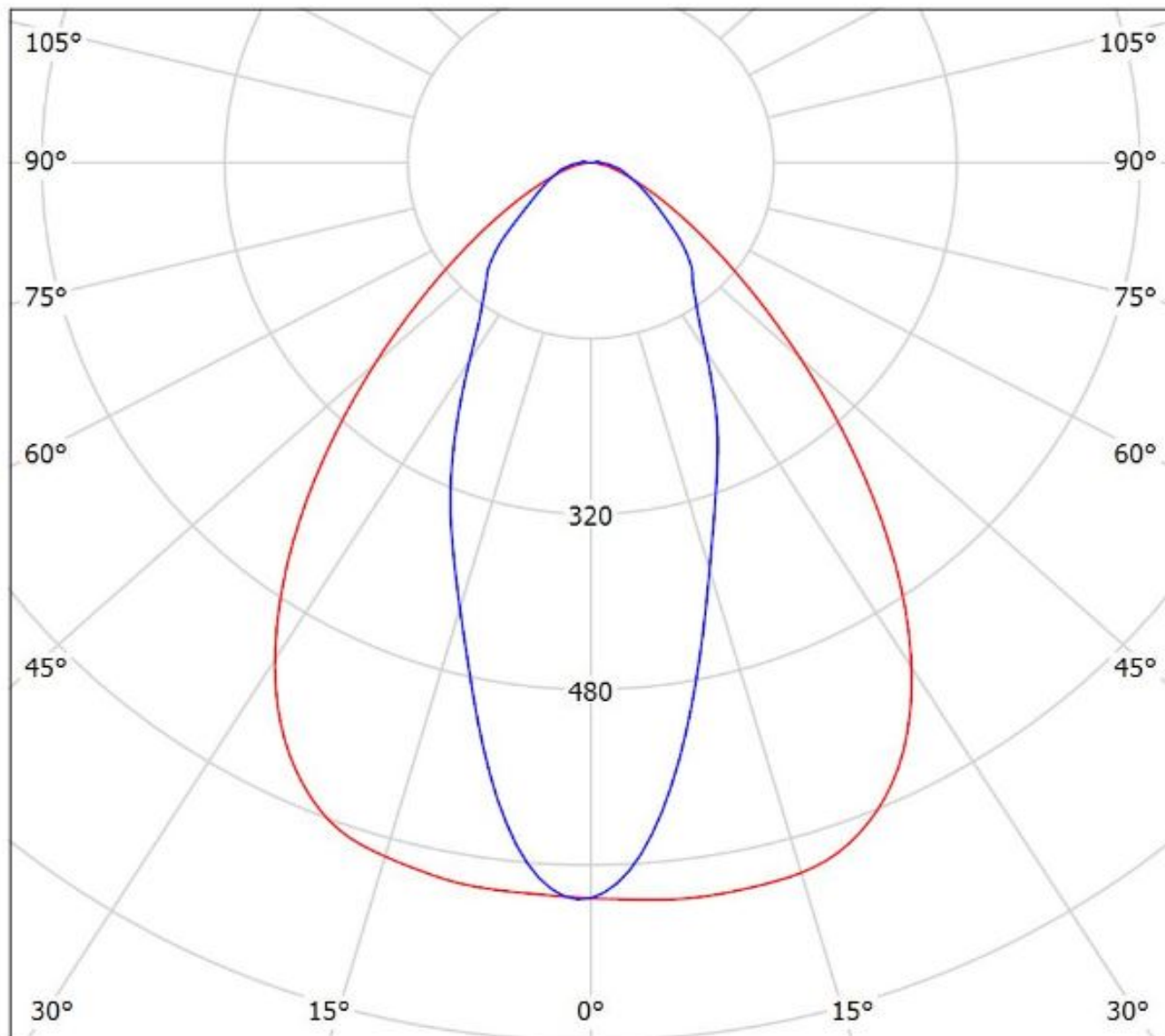
H G F E D C B A

Luminaire: Ledil FS15847_FLORENCE-3R-IP-O_(LG-6030)_Cav1
Lamps: 1 x LG-6030_(LEWMS68T80HZ)_1073.53lm@250mA_cct=5000K_P=7.9555W_I=0.25A



Luminaire: Ledil FS15847_FLORENCE-3R-IP-O_(LG-6030)_Cav1

Lamps: 1 x LG-6030_(LEWMS68T80HZ)_1073.53lm@250mA_cct=5000K_P=7.9555W_I=0.25A



cd/klm

— C0 - C180 — C90 - C270

$\eta = 86\%$

NOTE: The typical divergence will be changed by different color, chip size and chip position tolerance. The typical total divergence is the full angle measured where the luminous intensity is half of the peak value.