



# PRODUCT DATASHEET

## Tina series

last update 19/3/2015

### DETAILS

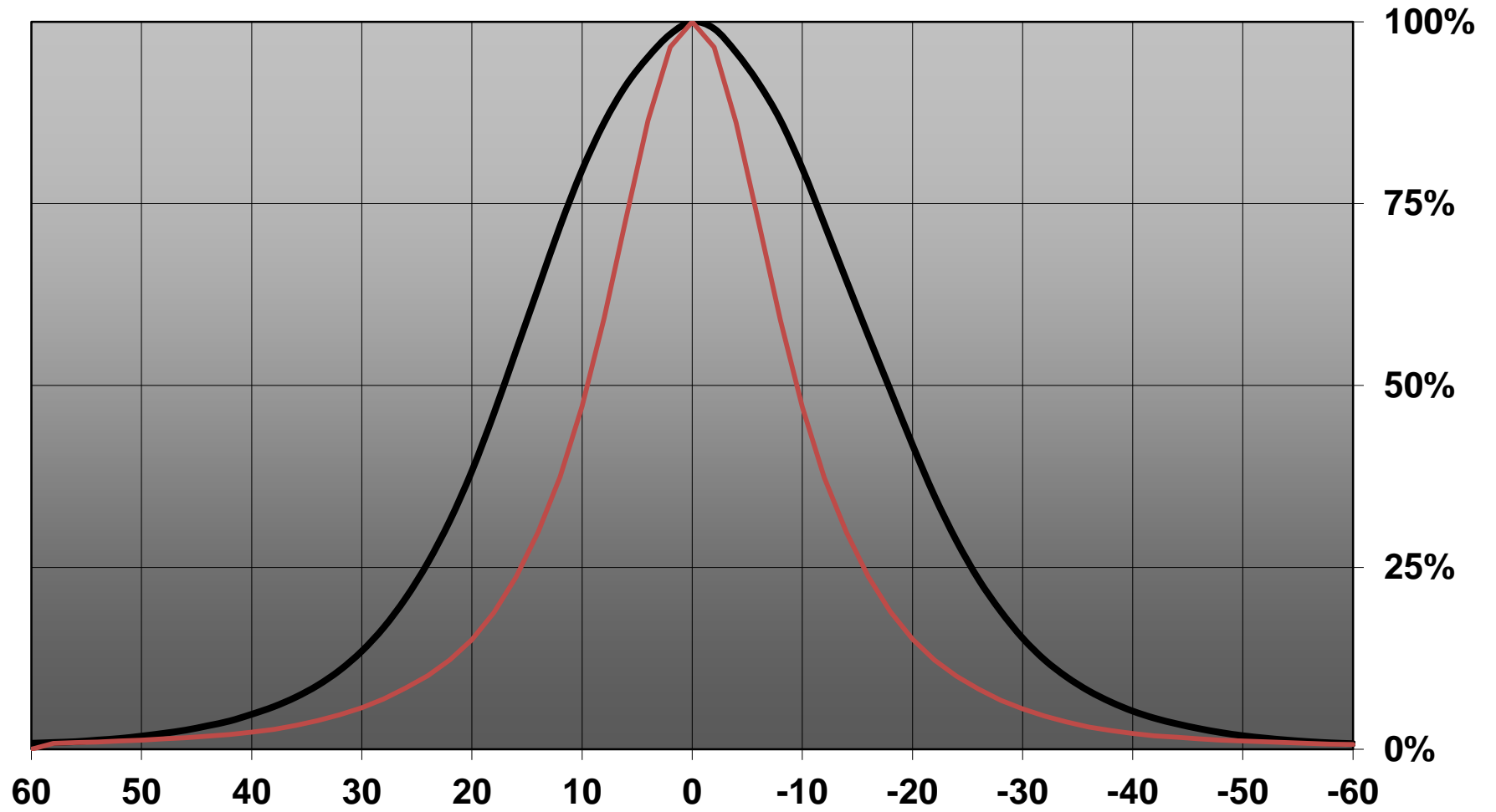
<b>Product Number</b>	FA11201_TINA-O
<b>Family</b>	Tina
<b>Type</b>	Assembly
<b>Color</b>	white
<b>Diameter</b>	16,1 mm
<b>Height</b>	11,1 mm
<b>Style</b>	round
<b>Optic Material</b>	PMMA
<b>Holder Material</b>	
<b>Fastening</b>	tape
<b>Status</b>	production ready
<b>ROHS Compliant</b>	Yes
<b>Date Updated</b>	19/03/2015



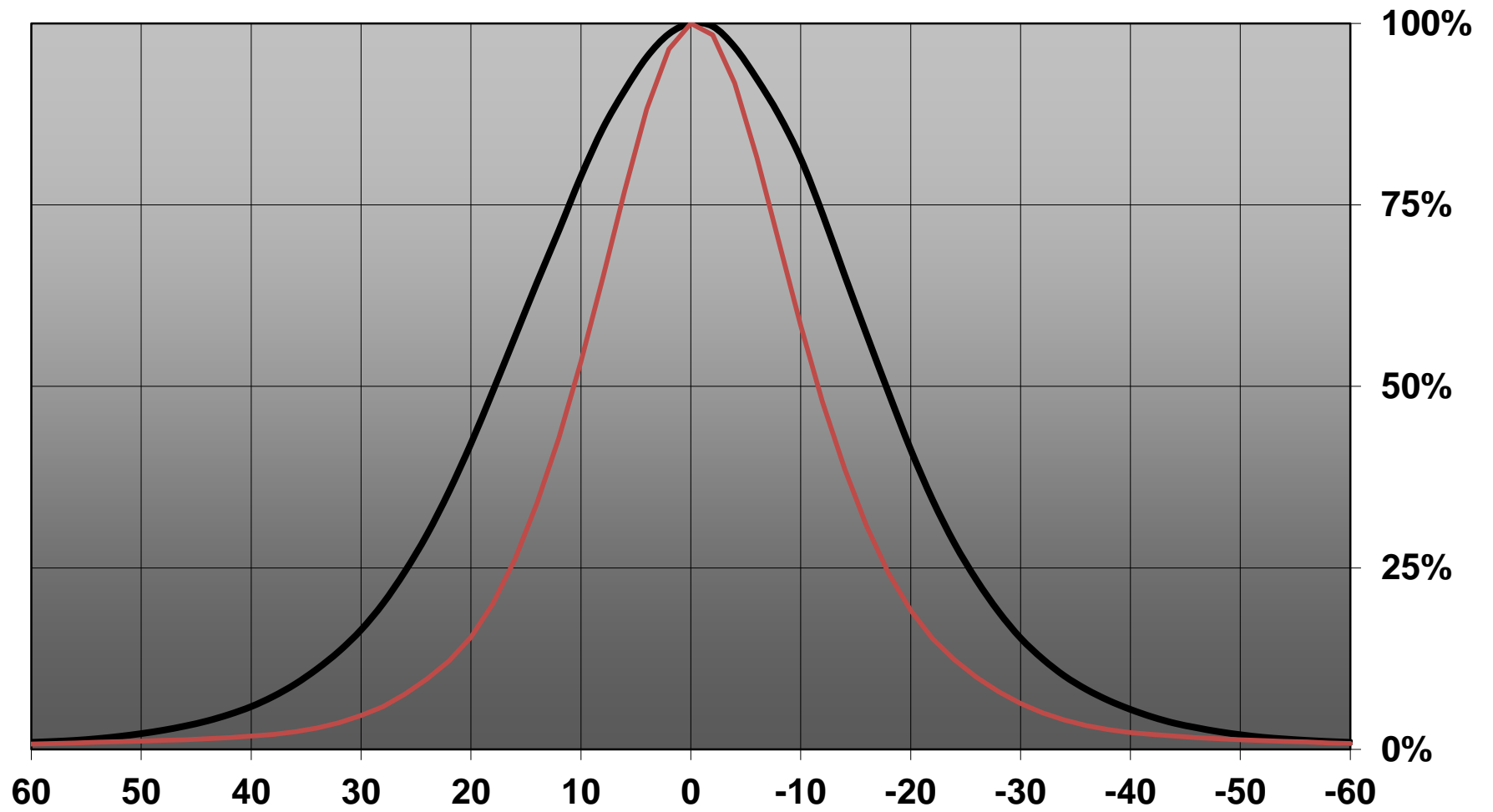
### OPTICAL PROPERTIES

LED	Viewing Angle	Light Beam	Efficiency	cd/lm	Connector
MX-6	35+19 deg	Oval	88 %	2.920	-
NS6x83	36+22 deg	Oval	88 %	2.740	-

Relative intensity of FA11201\_TINA-O\_(MX-6)



Relative intensity of FA11201\_TINA-O\_(NS6x83)



D

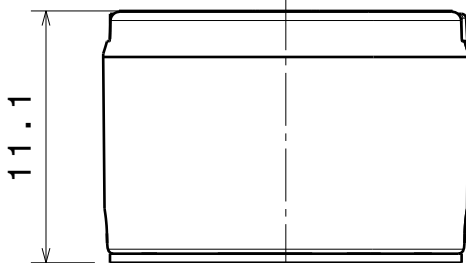
C

B

A

4

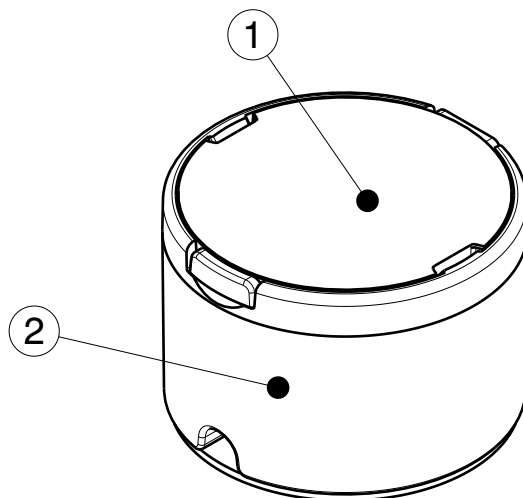
4



11.1

Front view

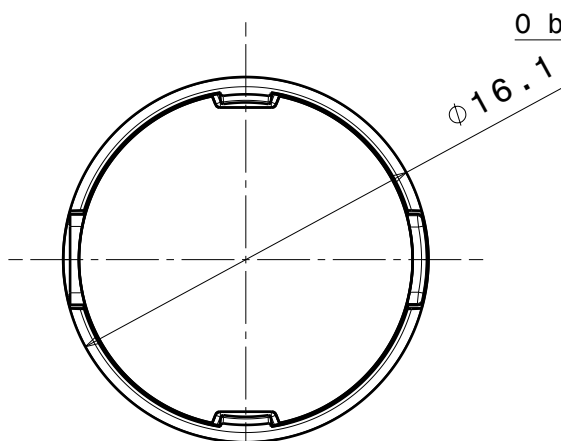
PU tape 0,4mm



Isometric view

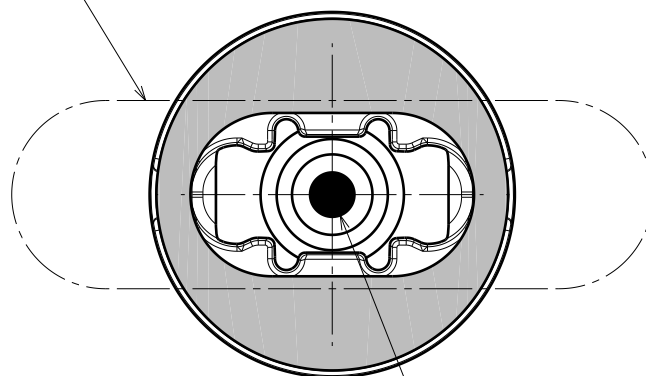
3

3

 $\varnothing 16.1$ 

Top view

0 beam direction



Bottom view

LED position

2

2

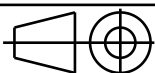
INDEX	PART NO	DESCRIPTION	MATERIAL	COLOUR
1	F11198	TINA-0	PMMA	clear
2	F10638	TINA-N83-H-TAPE-WHT	PC	white

Tolerances if not otherwise shown  
According to DIN ISO 2768-1  
Linear measures:  
up to 30mm class M, otherwise class C  
According to DIN ISO 2768-2  
Form and position: class L

LEDiL

Ledil Oy  
Salorankatu 10  
FIN 24240 SALO  
Finland

THIRD ANGLE PROJECTION:



DRAWING TITLE

FA11201\_TINA-0

This drawing is the property  
of LEDiL Oy. It may not be  
reproduced, copied or  
communicated without a written  
agreement with LEDiL Oy.

SIZE PART NUMBER

A4

FA11201

SCALE

3:1

WEIGHT

1,92 g

SHEET

1/1

1

1

D

A

**NOTE: The typical divergence will be changed by different color, chip size and chip position tolerance. The typical total divergence is the full angle measured where the luminous intensity is half of the peak value.**