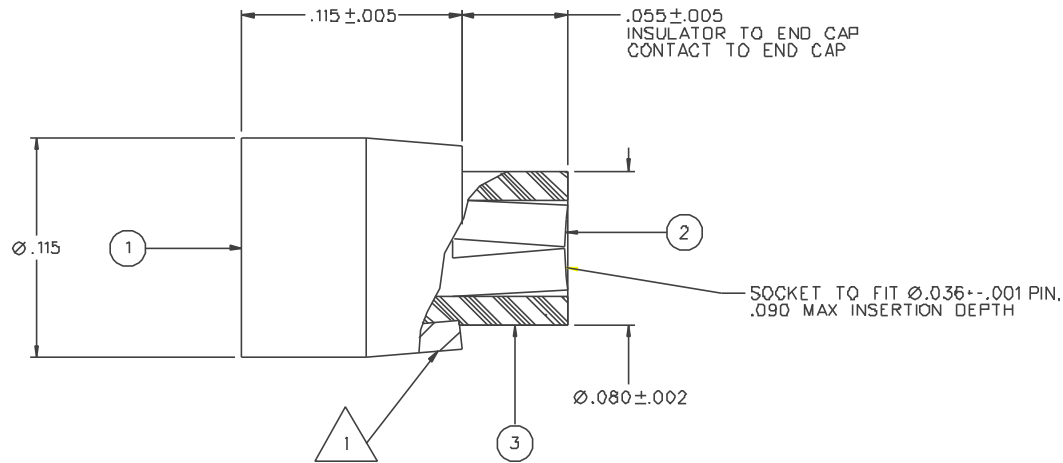


PART NUMBER	ITEM ① END CAP	ITEM ② CONTACT	ITEM ③ INSULATOR
142-1000-022	BRASS GOLD PL .00001 MIN OVER NICKEL PL .00005 MIN OVER COPPER PL .00005 MIN	BERYLLIUM COPPER GOLD PL .00005 MIN OVER NICKEL PL .00005 MIN OVER COPPER PL .00005 MIN	TEFLON

DRAWING NO. C - 142-1000-022			
0 REVISIONS			
ENGINEERING RELEASE			
1	7-23-98	RJB	ECN 45710



CUSTOMER DRAWING


THIS DRAWING TO BE INTERPRETED
PER ANSI Y 14.5M - 1982

"μSTATION"

COMPANY CONFIDENTIAL

NOTES:

1. INSULATOR RETAINED BY LIGHTLY SWAGING END CAP.

TOLERANCE UNLESS OTHERWISE SPECIFIED		DRAWN BY JRK	DATE 4-27-98	 Cinch Connectivity Solutions 299 Johnson Ave. Ste. 100 Worcester, MA 01603 1-800-247-8256
DECIMALS	mm	CHECKED BY JRK	DATE 7-23-98	
.XX	—	APPROVED BY RJB	DATE 7-23-98	TITLE ASSEMBLY .036 PIN DIA SOCKET
XXX REF	—	APPROVED BY	DATE	CODE NO.
MATL	—	RELEASE DATE		DRAWING NO. C - 142-1000-022
FINISH	—			SCALE 20:1 U/M INCH SHEET 2 OF 2