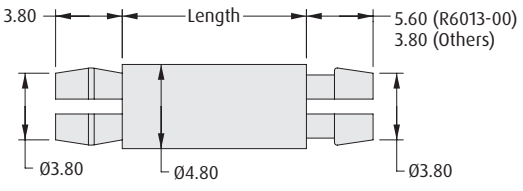
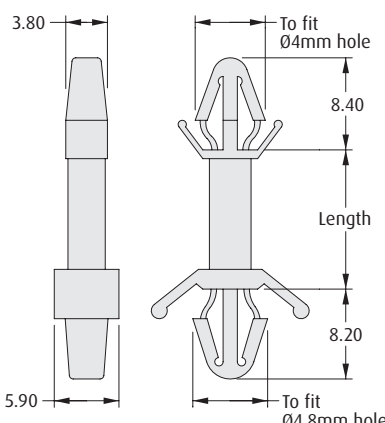
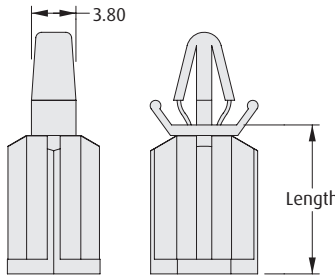
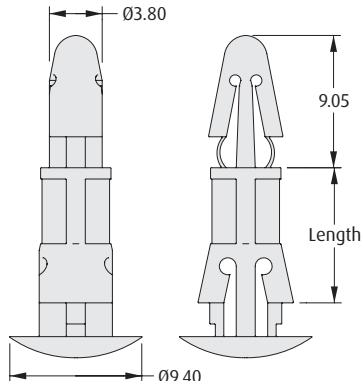


Locking Spacers

❖ For further product information, please consult the applicable Technical Drawing online.

LOW PROFILE SELF-LOCK SPACERS	RIGID SELF-LOCK SPACERS																																				
<ul style="list-style-type: none"> ❖ Material: Nylon 6/6 UL94V-2. ❖ Spacer design uses minimum board area. ❖ Recommended PC board thickness 1.60mm. ❖ Recommended hole size Ø4.00mm.  <table border="1" data-bbox="548 829 803 1092"> <thead> <tr> <th>ORDER CODE</th> <th>LENGTH</th> </tr> </thead> <tbody> <tr><td>R6003-00</td><td>3.2</td></tr> <tr><td>R6006-00</td><td>6.3</td></tr> <tr><td>R6008-00</td><td>8.0</td></tr> <tr><td>R6009-00</td><td>9.5</td></tr> <tr><td>R6010-00</td><td>10.5</td></tr> <tr><td>R6013-00</td><td>12.7</td></tr> </tbody> </table>	ORDER CODE	LENGTH	R6003-00	3.2	R6006-00	6.3	R6008-00	8.0	R6009-00	9.5	R6010-00	10.5	R6013-00	12.7	<ul style="list-style-type: none"> ❖ Material: Nylon 6/6 UL94V-2. ❖ Spacers have wide ribs with locking fingers to provide a secure, rigid fit with extra stability. ❖ Recommended PC board thickness 1.60mm.  <table border="1" data-bbox="1247 682 1502 1092"> <thead> <tr> <th>ORDER CODE</th> <th>LENGTH</th> </tr> </thead> <tbody> <tr><td>R6405-00</td><td>4.8</td></tr> <tr><td>R6406-00</td><td>6.4</td></tr> <tr><td>R6410-00</td><td>9.6</td></tr> <tr><td>R6413-00</td><td>12.7</td></tr> <tr><td>R6416-00</td><td>15.9</td></tr> <tr><td>R6419-00</td><td>19.1</td></tr> <tr><td>R6422-00</td><td>22.2</td></tr> <tr><td>R6425-00</td><td>25.4</td></tr> <tr><td>R6428-00</td><td>28.5</td></tr> <tr><td>R6435-00</td><td>35.0</td></tr> </tbody> </table>	ORDER CODE	LENGTH	R6405-00	4.8	R6406-00	6.4	R6410-00	9.6	R6413-00	12.7	R6416-00	15.9	R6419-00	19.1	R6422-00	22.2	R6425-00	25.4	R6428-00	28.5	R6435-00	35.0
ORDER CODE	LENGTH																																				
R6003-00	3.2																																				
R6006-00	6.3																																				
R6008-00	8.0																																				
R6009-00	9.5																																				
R6010-00	10.5																																				
R6013-00	12.7																																				
ORDER CODE	LENGTH																																				
R6405-00	4.8																																				
R6406-00	6.4																																				
R6410-00	9.6																																				
R6413-00	12.7																																				
R6416-00	15.9																																				
R6419-00	19.1																																				
R6422-00	22.2																																				
R6425-00	25.4																																				
R6428-00	28.5																																				
R6435-00	35.0																																				
<ul style="list-style-type: none"> ❖ Material: Nylon 6/6 UL94V-2. ❖ Fit spacer to underside of upper board, then attach lower board to bottom of spacer with No. 6 (1/8") screw. ❖ Recommended hole sizes: Ø4.00mm (upper board), Ø3.60mm (lower board). ❖ Recommended PC board thickness 2.00mm (upper board).  <table border="1" data-bbox="548 1627 803 1890"> <thead> <tr> <th>ORDER CODE</th> <th>LENGTH</th> </tr> </thead> <tbody> <tr><td>R6505-00</td><td>4.9</td></tr> <tr><td>R6510-00</td><td>9.6</td></tr> <tr><td>R6513-00</td><td>12.7</td></tr> <tr><td>R6519-00</td><td>19.1</td></tr> <tr><td>R6528-00</td><td>28.5</td></tr> <tr><td>R6535-00</td><td>35.0</td></tr> </tbody> </table>	ORDER CODE	LENGTH	R6505-00	4.9	R6510-00	9.6	R6513-00	12.7	R6519-00	19.1	R6528-00	28.5	R6535-00	35.0	<ul style="list-style-type: none"> ❖ Material: Nylon 6/6 UL94V-2. ❖ Fit spacers from underside of board. ❖ Recommended PC board thickness 0.50 - 1.80mm. ❖ Recommended hole sizes: Ø4.00mm (upper board), Ø5.50mm (lower board).  <table border="1" data-bbox="1247 1627 1502 1890"> <thead> <tr> <th>ORDER CODE</th> <th>LENGTH</th> </tr> </thead> <tbody> <tr><td>R6706-00</td><td>6.1</td></tr> <tr><td>R6708-00</td><td>8.0</td></tr> <tr><td>R6710-00</td><td>9.8</td></tr> <tr><td>R6712-00</td><td>12.0</td></tr> <tr><td>R6714-00</td><td>14.0</td></tr> <tr><td>R6718-00</td><td>18.0</td></tr> </tbody> </table>	ORDER CODE	LENGTH	R6706-00	6.1	R6708-00	8.0	R6710-00	9.8	R6712-00	12.0	R6714-00	14.0	R6718-00	18.0								
ORDER CODE	LENGTH																																				
R6505-00	4.9																																				
R6510-00	9.6																																				
R6513-00	12.7																																				
R6519-00	19.1																																				
R6528-00	28.5																																				
R6535-00	35.0																																				
ORDER CODE	LENGTH																																				
R6706-00	6.1																																				
R6708-00	8.0																																				
R6710-00	9.8																																				
R6712-00	12.0																																				
R6714-00	14.0																																				
R6718-00	18.0																																				

All dimensions in mm.