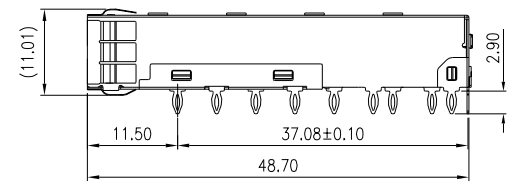
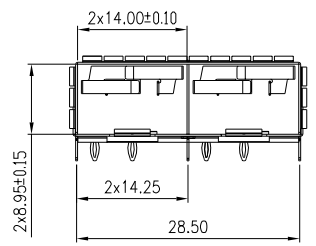
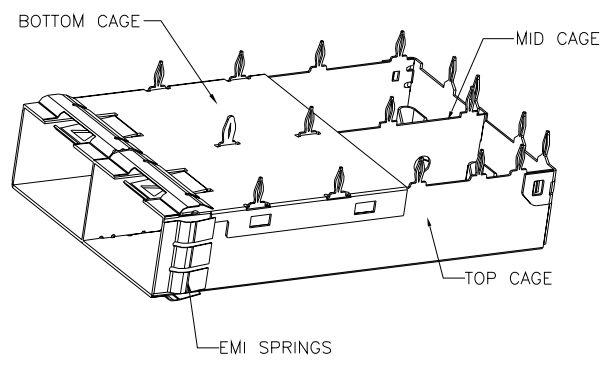
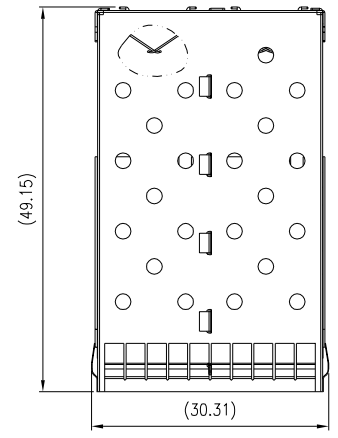


Product Number	Packaging
10127103-101LF	Tray



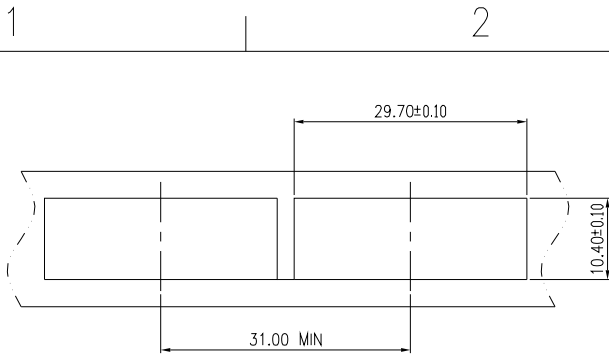
- NOTES:
- | 1, DESCRIPTION | Q'ty | MATERIAL | PLATING |
|----------------|------|----------------------------|------------|
| TOP CAGE | 1PCS | NICKEL SILVER ALLOY T=0.25 | NO PLATING |
| BOTTOM CAGE | 1PCS | NICKEL SILVER ALLOY T=0.25 | NO PLATING |
| MID CAGE | 1PCS | NICKEL SILVER ALLOY T=0.25 | NO PLATING |
| EMI SPRINGS | 4PCS | COPPER ALLOY T=0.08 | Ni PLATED |
- 2, PRODUCT SPECIFICATION: GS-12-1165
3, APPLICATION SPECIFICATION: GS-20-0384
4, PACKAGE PER GS-14-2344 AND GS-14-920



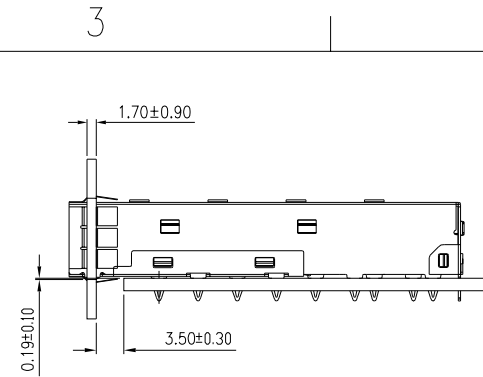
Copyright FCI.

spec ref	RELEASE	dr	Art Lin	2014-01-08	projection 	MM ←→	size	scale	
tolerance std	TOLERANCES UNLESS OTHERWISE SPECIFIED	eng	Zhen Luo	2014-01-08			A4	1:1	
ISO406		chr	Collins Lu	2014-01-09			ecn no		
ISO1101		appr	JEFFREY QIN	2014-01-09	product family	SFP+	rel level	Released	
surface	linear	0.X	±0.25		title	SFP+ 1X2 CAGE	dwg no	10127103	rev
ISO1302		0.XX	±0.20						
	0.XXX	±0.15							
	angular	0°	±0.5°						
www.fci.com		cat. no.	-	Product-Customer Drw	sheet 1 of 2				

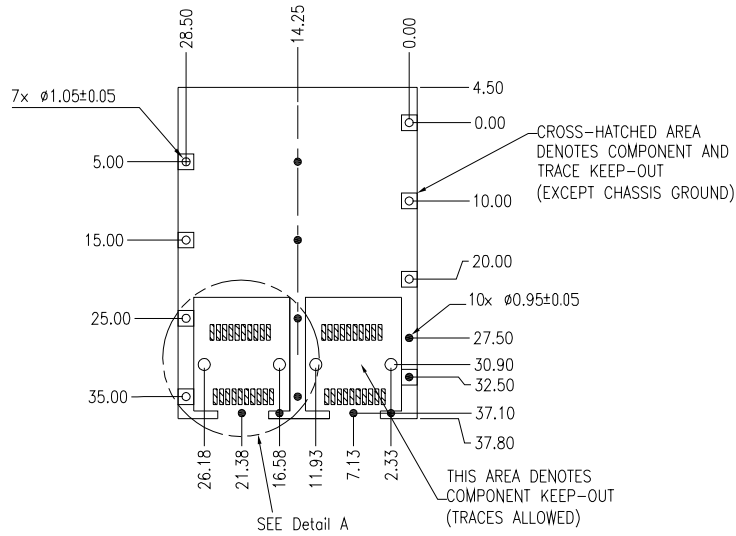
Pro/E File - REV C - 2009-06-09



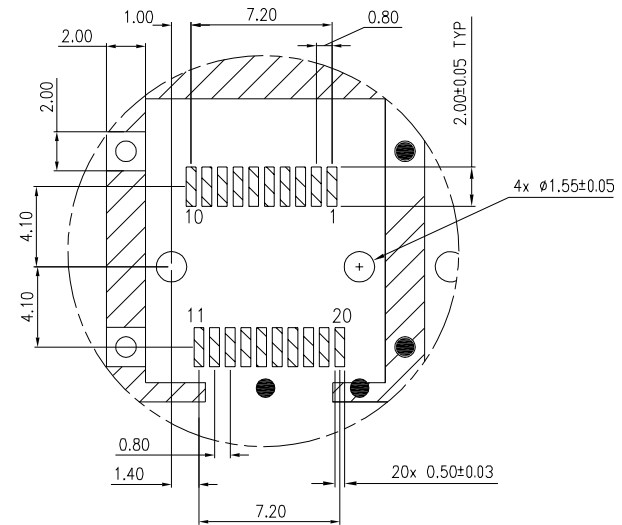
RECOMMENDED BEZEL CUT-CUT SINGLE SIDE APPLICATIONS



MOUNTED ON PC BOARD
SHOWN THRU RECOMMENDED BEZEL



PCB LAYOUT THICKNESS=3.0MM (TOP VIEW)



Detail A
SCALE 2.5:1



Copyright FCI.

spec ref	RELEASE			dr	Art Lin	2014-01-08	projection	MM	size	scale	
tolerance std	TOLERANCES UNLESS OTHERWISE SPECIFIED			eng	Zhen Luo	2014-01-08			A4	1:1	
ISO406				chr	Collins Lu	2014-01-09	product family	SFP+	ecn no		
ISO1101				apppr	JEFFREY QIN	2014-01-09			rel level		Released
surface	linear	0.X	±0.25	FCI	title			dwg no	10127103		rev
		0.XX	±0.20								
ISO1302	angular	0°	±0.5°		www.fci.com	cat. no.			Product-Customer Drw		sheet 2 of 2

Proj/E File - REV C - 2009-06-09