



Mallory Sonalert Products, Inc.

Part #: **SCL120LA3CTB**

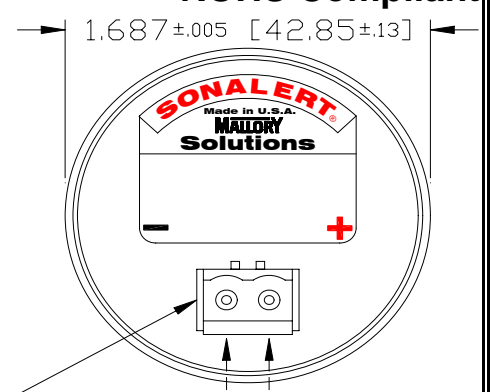
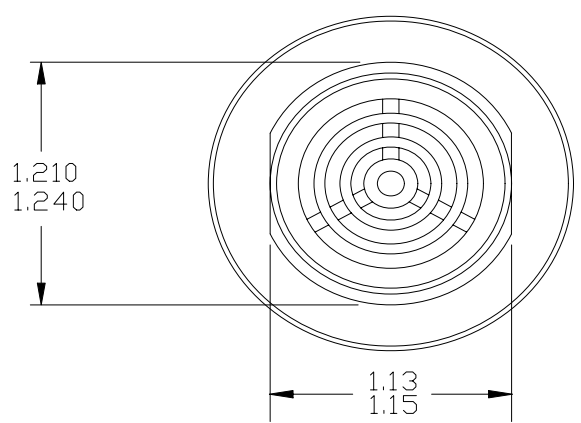
Sales Outline Drawing

Revision: **A**

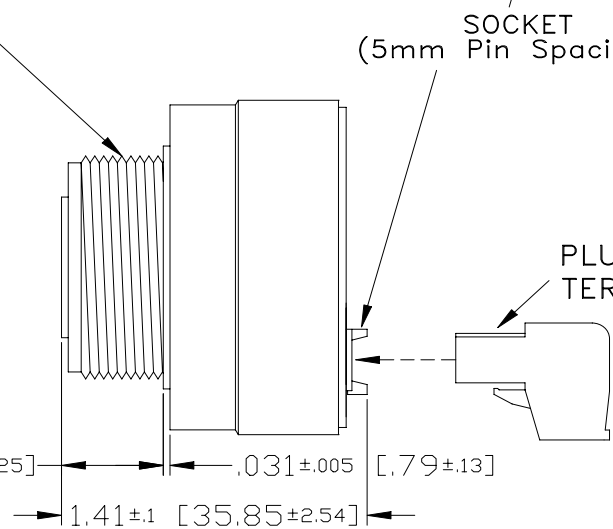
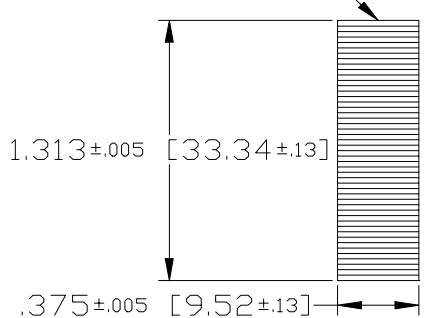
Specifications:

Sound Level Category	Loud
Mode of Operation	Continuous
Voltage Rating	48 to 120 VAC
Frequency	2900 ± 500 Hz
Loudness @ 2 FT	85 to 95 dB(A) Typ.
Current Draw	20mA MAX
Housing Material	6/6 Nylon, Color: Black
Storage Temperature	-40° to +85° C
Operating Temperature	-40° to +85° C
Panel Mounting	Recommended hole size is 1.25"(31.75mm). Thread front will fit standard 30mm(1.181") hole.
Knurled Nut	Used to attach part to panel. The max recommended torque is 10 in-lbs.
Weight (Typical)	1.6 oz (45g)
NEMA 3R,4X, & 12	Approved with use of ACC03.
cUL Recognition	cUL Recognized
Options	Please contact factory.

Dimensions: Inches (mm) **cUL Recognized** **ROHS Compliant**



1 1/8-24 UNS 2A THD.
KNURLED NUT



SOCKET
Pin Spacing)
(5mm

PLUGGABLE SCREW
TERMINAL BLOCK