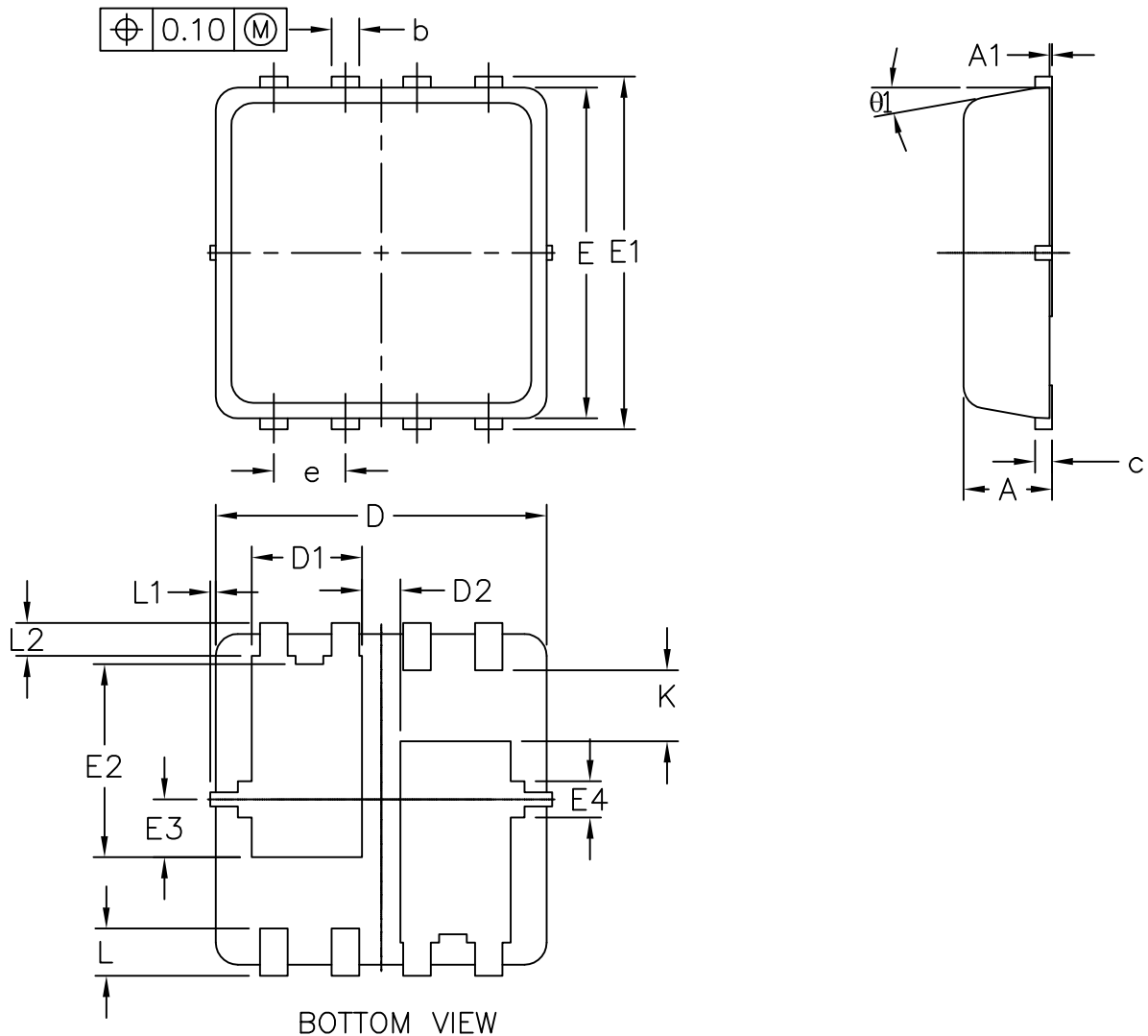


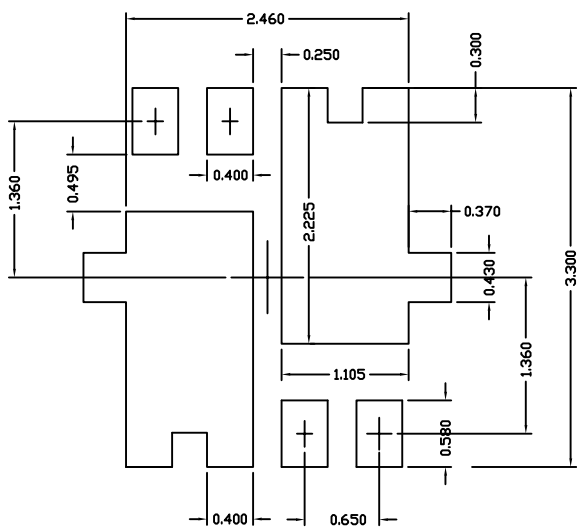


DFN3x3_8L_EP2_P PACKAGE OUTLINE



BOTTOM VIEW

RECOMMENDED LAND PATTERN



UNIT: mm

SYMBOLS	DIMENSIONS IN MILLIMETERS			DIMENSIONS IN INCHES		
	MIN	NOM	MAX	MIN	NOM	MAX
A	0.70	0.80	0.90	0.028	0.031	0.035
A1	0.00	---	0.05	0.000	---	0.002
b	0.24	0.25	0.30	0.009	0.010	0.012
c	0.10	0.15	0.25	0.004	0.006	0.010
D	2.90	3.00	3.10	0.114	0.118	0.122
D1	0.85	1.00	1.15	0.033	0.039	0.045
D2	0.25	0.35	0.45	0.010	0.014	0.018
E	2.90	3.00	3.10	0.114	0.118	0.122
E1	3.05	3.20	3.35	0.120	0.126	0.132
E2	1.55	1.75	1.95	0.061	0.069	0.077
E3	0.43	0.53	0.63	0.017	0.021	0.025
E4	0.28	0.33	0.38	0.011	0.013	0.015
e	0.60	0.65	0.70	0.024	0.026	0.028
K	0.45	0.65	0.85	0.018	0.026	0.033
L	0.33	0.43	0.53	0.013	0.017	0.021
L1	0	---	0.10	0	---	0.004
L2	0.25	0.30	0.35	0.010	0.012	0.014
theta1	0°	10°	12°	0°	10°	12°

NOTE

1. PACKAGE BODY SIZES EXCLUDE MOLD FLASH AND GATE BURRS.
MOLD FLASH AT THE NON-LEAD SIDES SHOULD BE LESS THAN 6 MILS EACH.
2. CONTROLLING DIMENSION IS MILLIMETER.
CONVERTED INCH DIMENSIONS ARE NOT NECESSARILY EXACT.