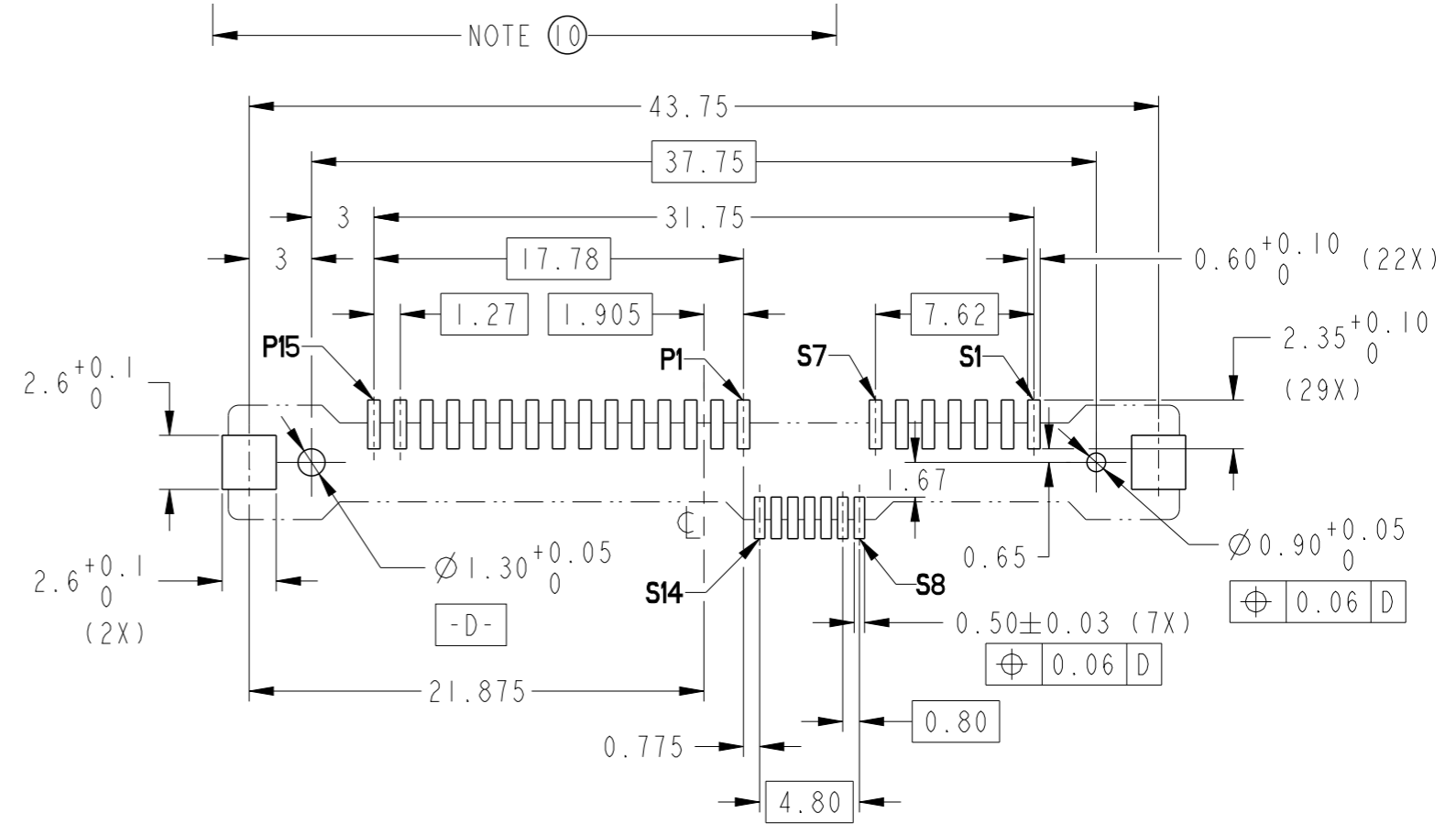


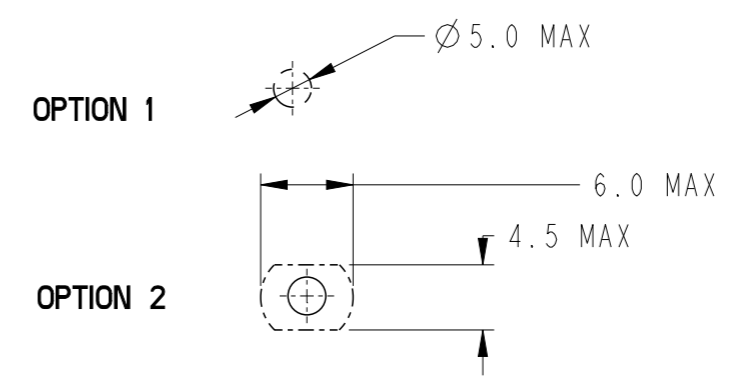
PRODUCT NUMBER	METAL CLIP	PLATING	PICK-UP CAP	PACKAGING	REMARKS	PRODUCT NUMBER	PLATING
10120818-001LF	2 PCS	NOTE ②	NO	TRAY	NOTE ⑧	10120818-401LF	NOTE ⑩
10120818-001CLF			YES		NOTE ④ & ⑧	10120818-401CLF	
10120818-001C-TRLF			YES	TAPE & REEL	NOTE ④ ⑥ & ⑧	10120818-401C-TRLF	

NOTES:

- MATERIAL :
 1) HOUSING : HIGH TEMP THERMOPLASTIC, UL 94V-0
 COLOR : BLACK
 2) TERMINAL : COPPER ALLOY
 3) HOLD DOWN : COPPER ALLOY
- FINISH :
 1) TERMINAL : 30μ" Au PLATING (CONTACT POINT) OVER 50μ" NICKEL
 2) SOLDER TAIL : 100μ" MIN Sn OVER 50μ" NICKEL
 3) HOLD DOWN : 100μ" MIN Sn OVER 50μ" NICKEL
- PER SFF REV 1.1, EXCEPT 0.8mm PITCH BUMP AREA.
- PART WITH PICK-UP CAP, P/N XXXXXXXX-XXXCLF.
- THE STD PACKAGING IS IN TRAY UNLESS OTHERWISE SPECIFIED.
- PART NUMBER WITH SUFFIX "-TR" MEANS FOR TAPE & REEL PACKAGING (E.G. P/N: XXXXXXXX-XXXC-TRLF).
- THE HOUSING WILL WITHSTAND EXPOSURE TO 260°C PEAK TEMPERATURE FOR 10 SECONDS IN A CONVECTION, INFRA-RED OR VAPOR PHASE REFLOW OVEN.
- THIS PRODUCT MEETS EUROPEAN UNION DIRECTIVES AND OTHER COUNTRY REGULATIONS AS DESCRIBED IN GS-47-0004.
- PART NUMBERS ENDING IN "LF" MEANS FOR NOTE 8 LEAD FREE IDENTIFICATION
- FINISH :
 1) TERMINAL : 15μ" GXT PLATING (CONTACT POINT) OVER 50μ" NICKEL
 2) SOLDER TAIL : 100μ" MIN Sn OVER 50μ" NICKEL
 3) HOLD DOWN : 100μ" MIN Sn OVER 50μ" NICKEL
- FINISH :
 1) TERMINAL : 30μ" GXT PLATING (CONTACT POINT) OVER 50μ" NICKEL
 2) SOLDER TAIL : 100μ" MIN Sn OVER 50μ" NICKEL
 3) HOLD DOWN : 100μ" MIN Sn OVER 50μ" NICKEL
- A \triangle SYMBOL WILL BE NEXT TO ANY DIMENSION, VIEW, OR NOTE WHICH HAS BEEN MODIFIED WITH THE CURRENT DRAWING REVISION.



RECOMMENDED PCB LAYOUT



RECOMMENDED SUCTION HEAD SIZE

⑬ DATE CODE LOCATION. DATE CODE NO. YYWW (E.G. 14225)

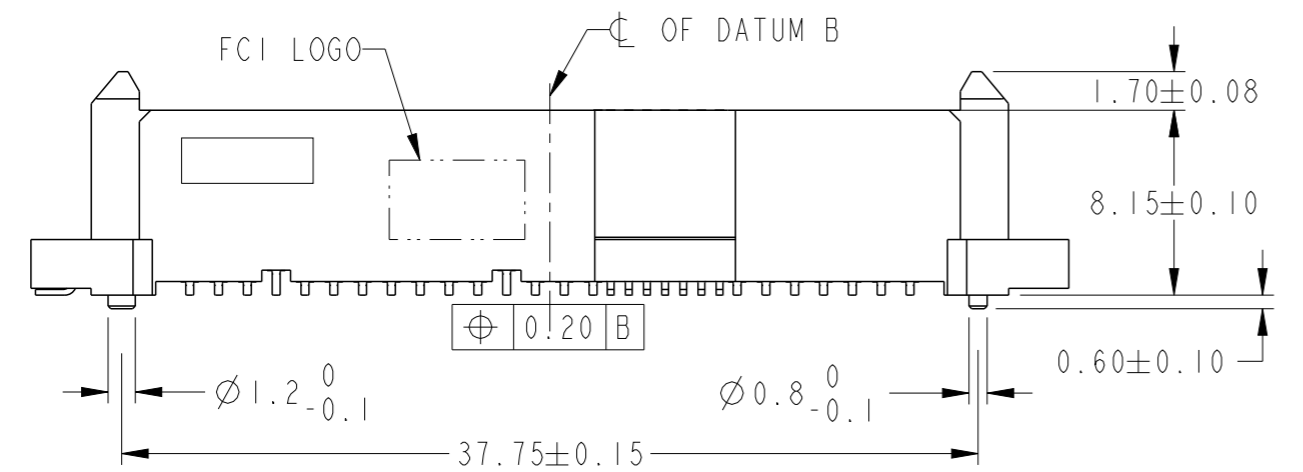
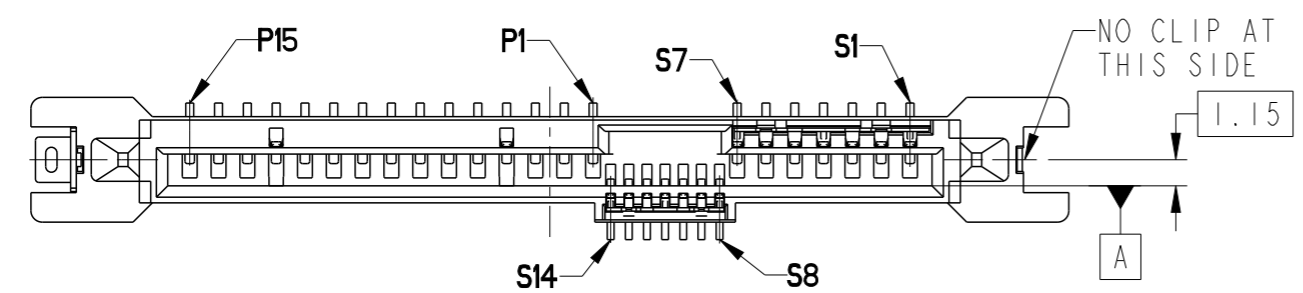
spec ref	-	dr	K Ayyapparaj	2012/07/27	projection	mm	size	A3	scale	3:1
tolerance std	ISO 406 ISO 1101	eng	Noorhazlinda	2016/10/04			ecn no	ELX-M-25080-1	rel level	Released
TOLERANCES UNLESS OTHERWISE SPECIFIED		chr	-	apppr						
surface	linear	0.X	±	Amphenol FCI		12G SAS RECEPTACLE	dwg no	10120818	rev	C
		0.XX	±0.20			VERTICAL SMT TYPE ASSY				
	angular	0°	±2°	cat. no.	-	Product - Customer Drw	sheet 2 of 3			

Amphenol FCI

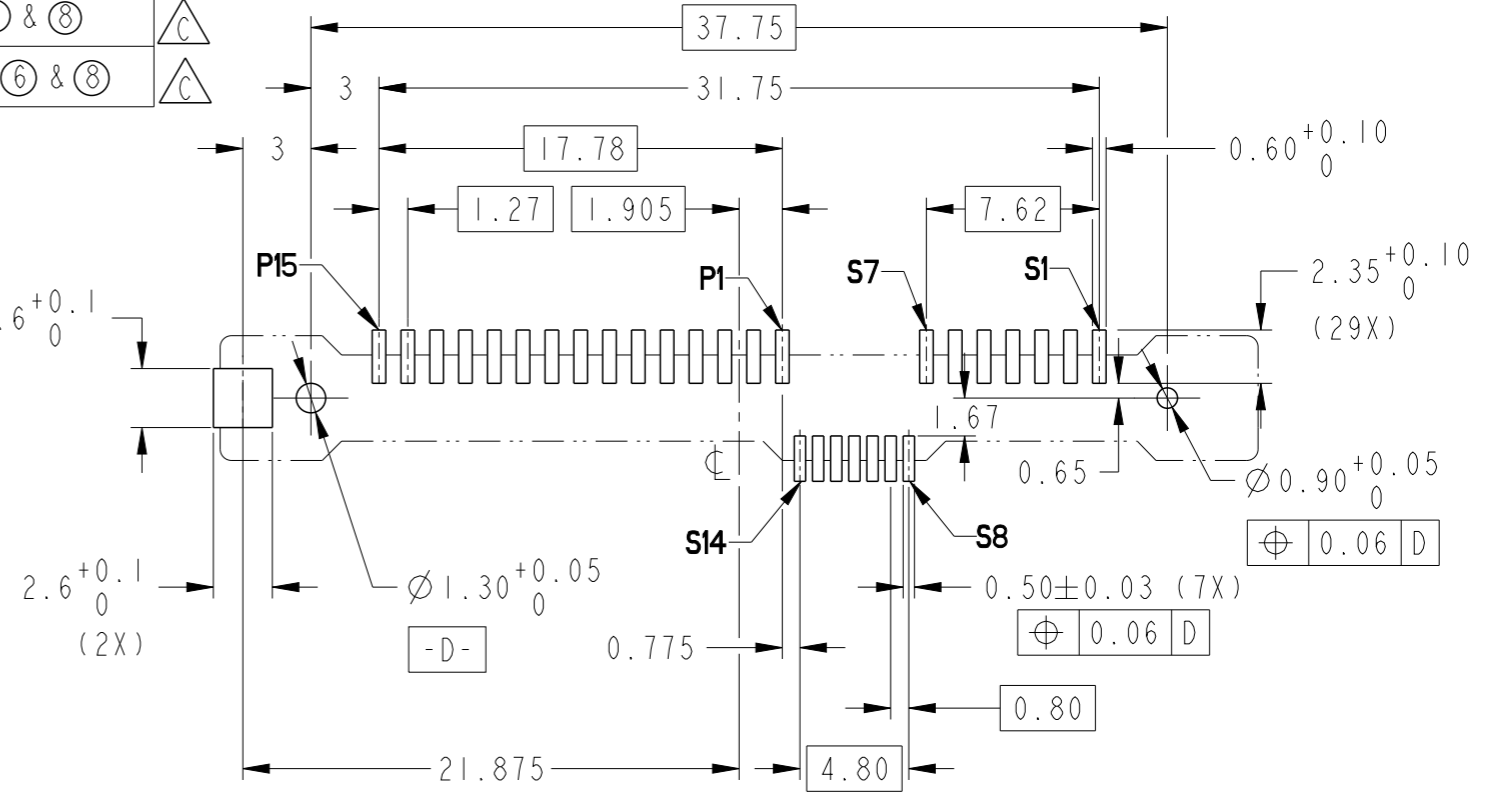
© 2016 AFCI

PRODUCT NUMBER	METAL CLIP	PLATING	PICK-UP CAP	PACKAGING	REMARKS
10120818-002LF	1 PCS	NOTE ②	NO	TRAY	NOTE ⑧
10120818-002CLF			YES		NOTE ④ & ⑧
10120818-002C-TRLF			YES		TAPE & REEL
10120818-402LF		NOTE ⑩	NO	TRAY	NOTE ⑧
10120818-402CLF			YES		NOTE ④ & ⑧
10120818-402C-TRLF			YES		TAPE & REEL
10120818-502LF		NOTE ⑪	NO	TRAY	NOTE ⑧
10120818-502CLF			YES		NOTE ④ & ⑧
10120818-502C-TRLF			YES		TAPE & REEL

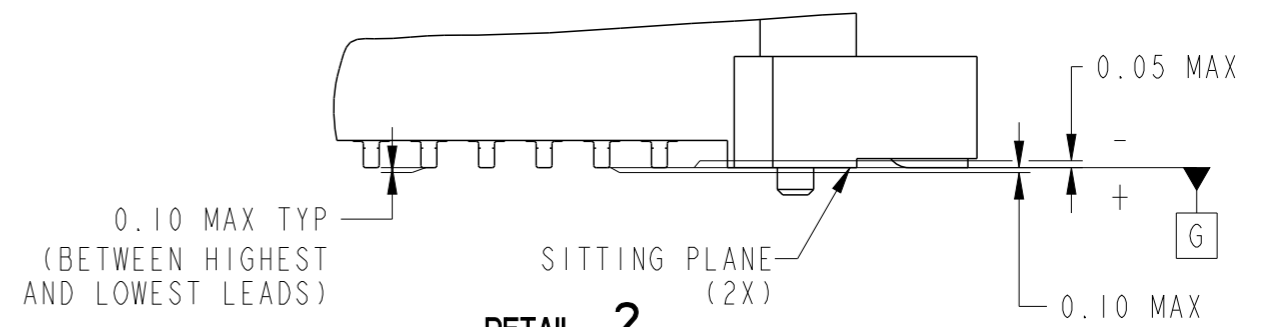
△
△
△



ALL OTHER DIMENSIONS, REFER TO SHEET 1



RECOMMENDED PCB LAYOUT



DETAIL SCALE 2/6:1

spec ref	-	dr	K Ayyapparaj	2012/07/27	projection	mm	size	A3	scale	3:1
tolerance std	ISO 406 ISO 1101	eng	Noorhazlinda	2016/10/04			ecn no	ELX-M-25080-1	rel level	Released
TOLERANCES UNLESS OTHERWISE SPECIFIED		chr	-	apppr						
surface	linear	0.X	±	Amphenol FCI		12G SAS RECEPTACLE VERTICAL SMT TYPE ASSY		dwg no 10120818	rev C	
	angular	0.XX	±0.20							0.XXX
		cat. no.		-		Product - Customer Drw		sheet 3 of 3		