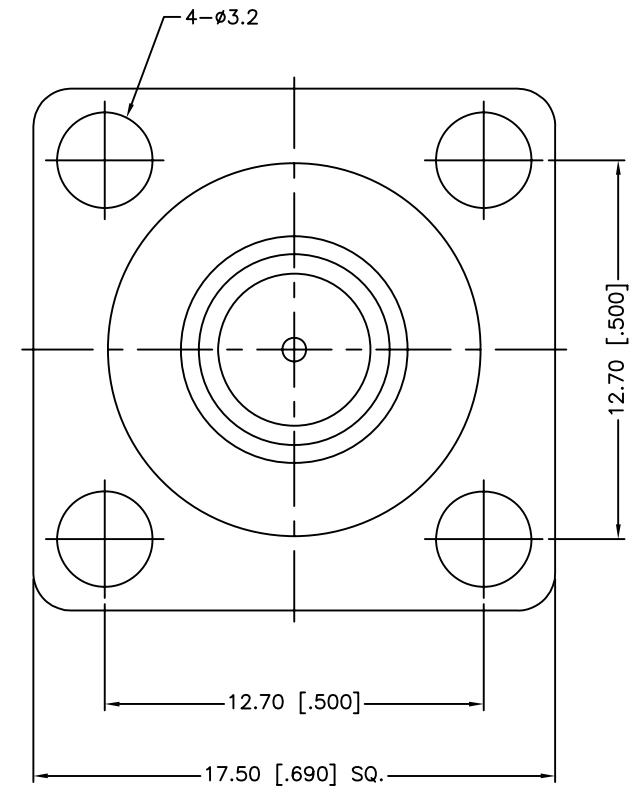
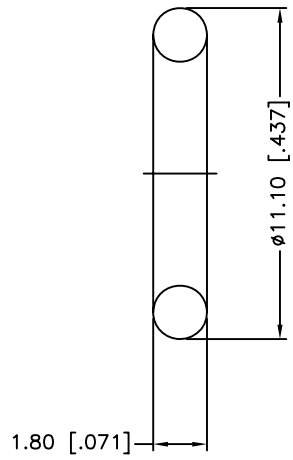
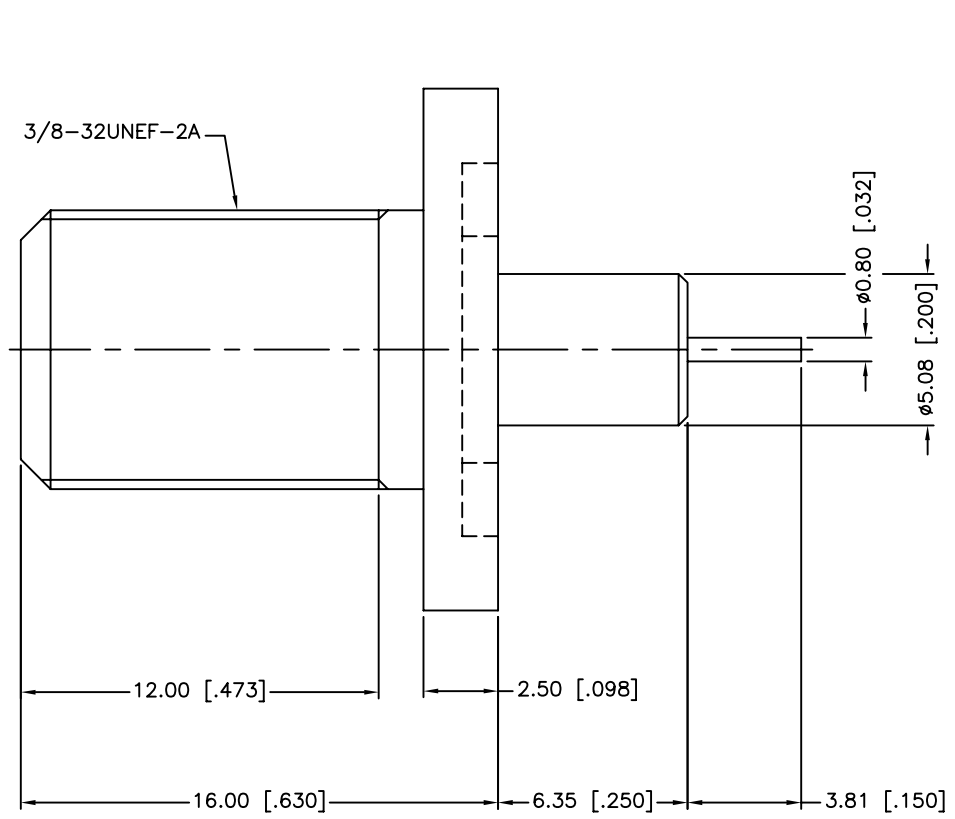


REV.	DATE	ECR NO.	DESCRIPTION
NC	10/16/09	XXXXXX	INITIAL RELEASE



CENTER CONTACT TO ACCEPT  $\phi 0.022$  TO  $\phi 0.042$  PIN [ $\phi 0.56$  TO  $\phi 1.07$ ]

<small>UNLESS OTHERWISE SPECIFIED DIMENSIONS ARE IN MILLIMETERS. DIMENSIONS IN [ ] ARE IN INCHES AND FOR CUSTOMER REFERENCE ONLY.</small> <small>UNLESS OTHERWISE SPECIFIED TOLERANCES FOR MILLIMETERS ARE:  0.5 - 8mm <math>\pm</math> 0.20mm  8 - 30mm <math>\pm</math> 0.40mm  30 - 120mm <math>\pm</math> 0.50mm</small> <small>UNLESS OTHERWISE SPECIFIED TOLERANCES FOR INCHES ARE:  .020 - .315 = <math>\pm</math> 0.007"  .315 - 1.180 = <math>\pm</math> 0.015"  1.180 - 4.724 = <math>\pm</math> 0.020"</small>				APPROVALS	DATE	<h1 style="color: blue; text-align: center;">Amphenol Connex</h1>																																
				DRAWN M.ZHANG	10/16/09																																	
<table border="1"> <tr> <td>6</td> <td>LOCK RING</td> <td>BRASS</td> <td>NICKEL</td> <td>1</td> </tr> <tr> <td>5</td> <td>GASKET</td> <td>SILICONE</td> <td>RED</td> <td>1</td> </tr> <tr> <td>4</td> <td>INSULATOR</td> <td>PTFE</td> <td>NATURAL</td> <td>1</td> </tr> <tr> <td>3</td> <td>CONTACT PIN</td> <td>BRASS</td> <td>BRIGHT TIN</td> <td>1</td> </tr> <tr> <td>2</td> <td>INSULATOR</td> <td>PTFE</td> <td>NATURAL</td> <td>1</td> </tr> <tr> <td>1</td> <td>BODY</td> <td>BRASS</td> <td>NICKEL</td> <td>1</td> </tr> </table>				6	LOCK RING	BRASS	NICKEL	1	5	GASKET	SILICONE	RED	1	4	INSULATOR	PTFE	NATURAL	1	3	CONTACT PIN	BRASS	BRIGHT TIN	1	2	INSULATOR	PTFE	NATURAL	1	1	BODY	BRASS	NICKEL	1	CHECKED		PART DESCRIPTION		
				6	LOCK RING	BRASS	NICKEL	1																														
5	GASKET	SILICONE	RED	1																																		
4	INSULATOR	PTFE	NATURAL	1																																		
3	CONTACT PIN	BRASS	BRIGHT TIN	1																																		
2	INSULATOR	PTFE	NATURAL	1																																		
1	BODY	BRASS	NICKEL	1																																		
<small>DO NOT SCALE DRAWING</small>				ISSUED		F PANEL JACK																																
				SHEET 1 OF 1		PART NO.																																
<small>DO NOT SCALE DRAWING</small>				CAD FILE	C:/CONNEX/222146.DWG	222146																																
				DWG. NO.	222146.DWG	REV.	NC	SIZE	A	SCALE	NA																											