

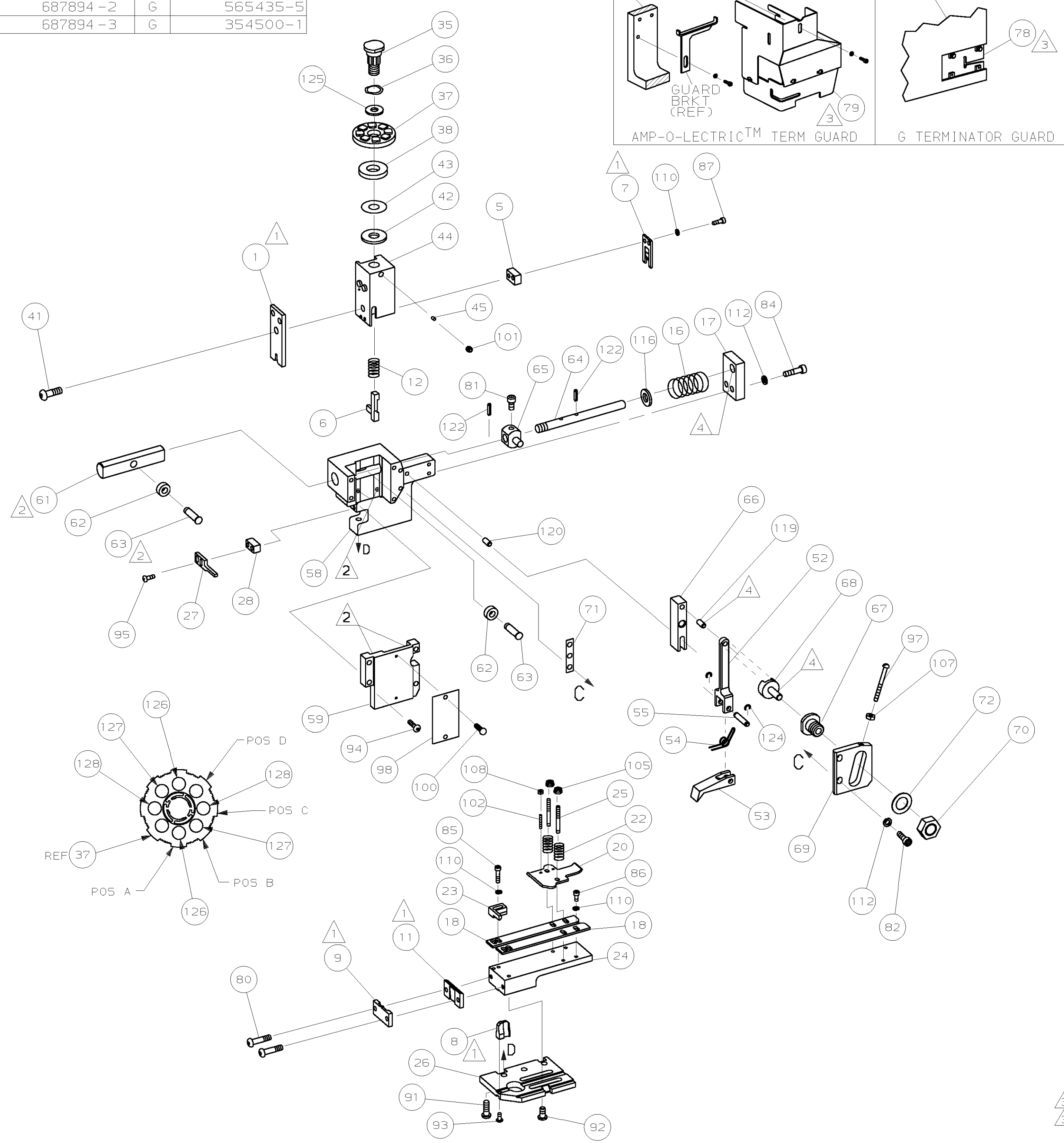
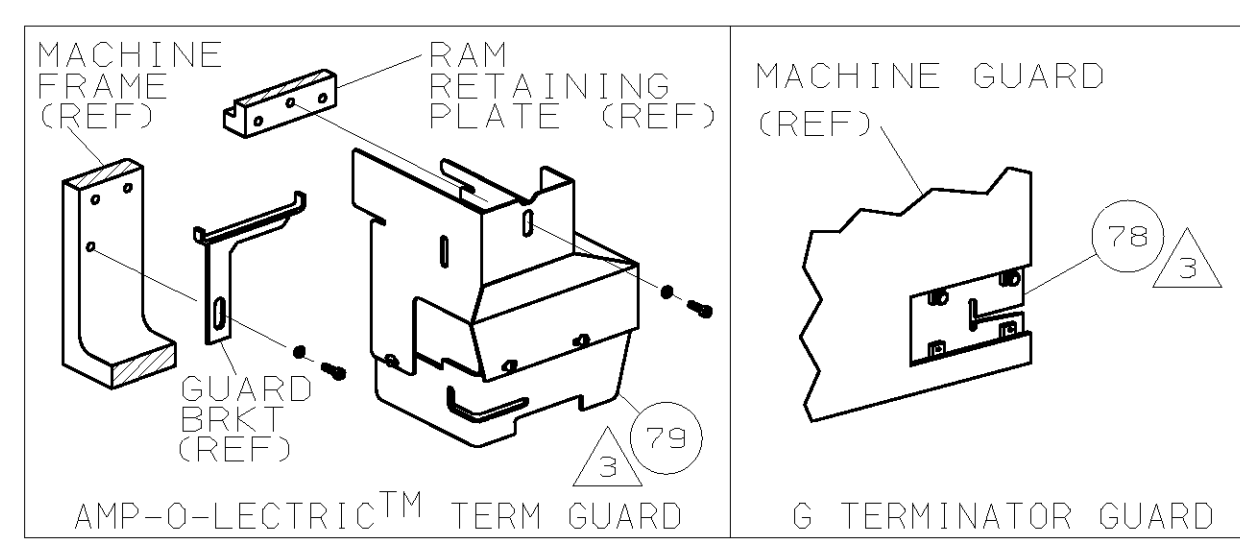
THIS DRAWING IS A CONTROLLED DOCUMENT.

DRAWING MADE IN THIRD ANGLE PROJECTION

PART NUMBER	REV	FIRST USED
687894-1	G	122500-1
687894-2	G	565435-5
687894-3	G	354500-1

687894 687894

/home/amp16926/edimod

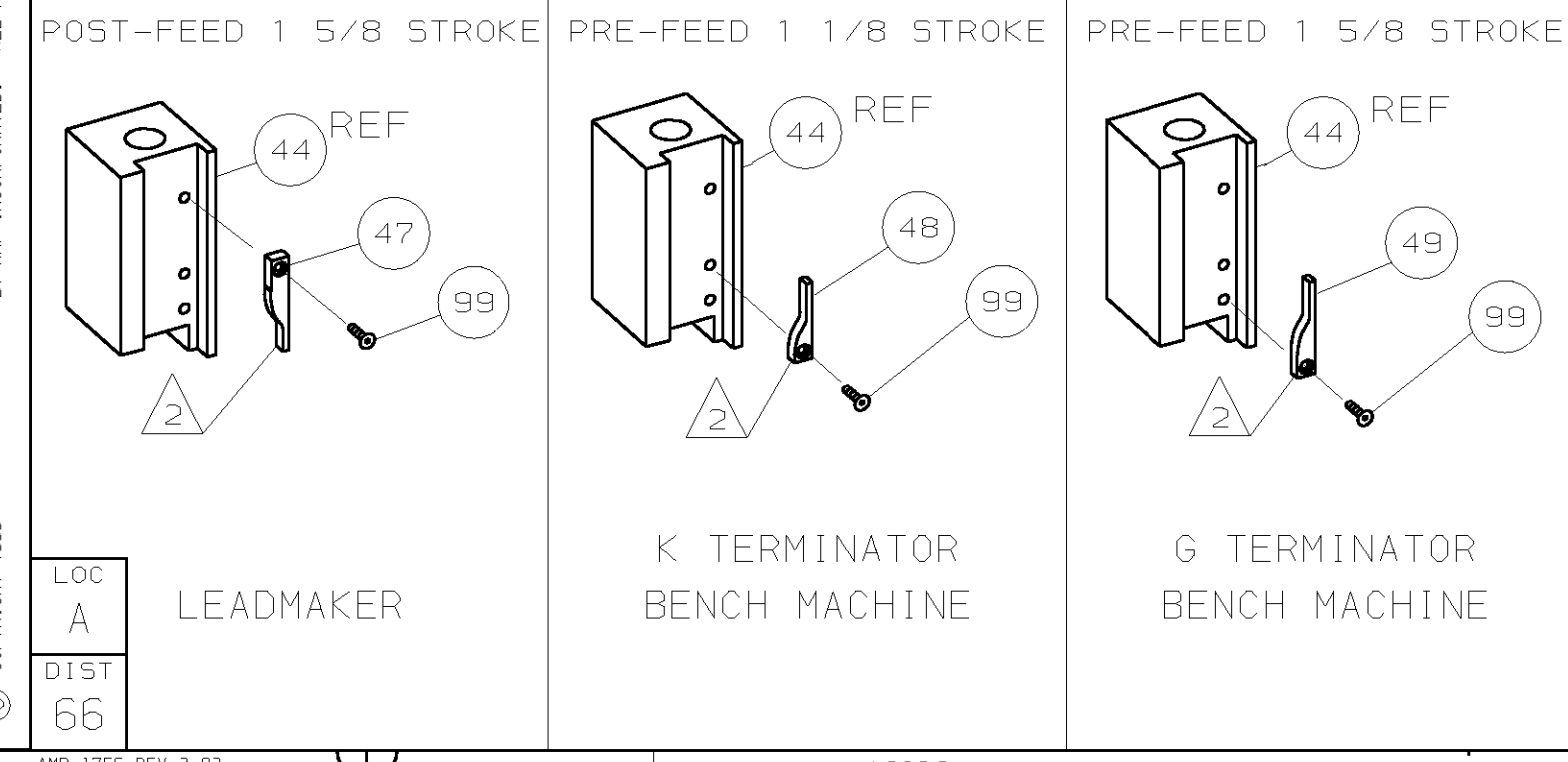


TERMINAL NAME: PIN RECEPTACLE			
60440			
PAD LTR	CRIMP HEIGHT		WIRE SIZE
A	.045 ±.002 [1.14 ±0.05mm]		18
B	.039 ±.002 [0.99 ±0.05mm]		20
C	.036 ±.002 [0.91 ±0.05mm]		22
D	NOT		USED
CRIMP	SIZE	TYPE	RANGE
WIRE	.070 [1.78mm]	F	22-18
INSUL	-	-	-

WIRE STRIP LENGTH	TERM APPL SPEC	FEED	APPL INSTRUCTION	SET UP GAGE	LAYOUT
-	114-02080	.581	408-8039	458638-1	356

2	2	2	-	C	5-354779-0	PIN, WIRE DISC (.3240)C	129
2	2	2	-	C	4-354779-4	PIN, WIRE DISC (.3210)B	128
2	2	2	-	C	3-354779-2	PIN, WIRE DISC (.3150)A	127
1	1	1	-	A	986950-1	WASHER, FLAT PRECISION	125
REF	REF	REF	-	A	21045-3	RING, RET "C" (φ.187)FD PIN	124
REF	REF	REF	-	A	5-21028-1	PIN, STD SPRING (φ.12)FD ADJ ROD	123
REF	REF	REF	-	A	1-21030-7	PIN, DOWEL (φ.187x1.50)H56	122
REF	REF	REF	-	A	1-21030-1	PIN, DOWEL (φ.187x.50)LEVER	121
REF	REF	REF	-	A	21899-4	WASHER, FLAT (φ5/16) SCR ADJ	119
REF	REF	REF	-	A	1-21030-7	PIN, DOWEL (φ.187x1.50)H56	118
REF	REF	REF	-	A	1-21030-1	PIN, DOWEL (φ.187x.50)LEVER	117
REF	REF	REF	-	A	21899-4	WASHER, FLAT (φ5/16) SCR ADJ	116
							115
							114
							113
REF	REF	REF	-	A	21024-5	WASHER, LOCK (NO.10)FD ROD GDE	112
							111
7	7	7	-	A	21024-4	WASHER, LOCK (NO.8)SHEAR BL	110
							109
2	2	2	-	A	21018-4	NUT, HEX (4-40)DRAG	108
REF	REF	REF	-	A	21018-5	NUT, HEX (6-32)FD ADJ PL	107
							106
2	2	2	-	A	21022-2	NUT, HEX SL (8-32)DRAG STUD	105
							104
							103
2	2	2	-	A	2-21006-6	SCR, SKT SET (4-40x.62)DRAG	102
1	1	1	-	A	21009-2	SCR, SKT SET (1/4-20x.25)RAM	101
2	2	2	-	A	21017-2	SCR, DRIVE (#2x.19)ID PLATE	100
1	1	1	-	A	1-21002-7	SCR, BHC (6-32x.38)CAM	99
1	1	1	-	B	461264-1	PLATE, IDENTIFICATION	98
REF	REF	REF	-	A	6-23715-5	SCR, PAN HD (8-32x1.50)FEED ADJ	97
							96
2	2	2	-	A	2-21002-2	SCR, BHC (8-32x.50)STRIPPER	95
REF	REF	REF	-	A	2-21002-9	SCR, BHC (10-32x.75)H56 CAP	94
1	1	1	-	A	22733-8	SCR, BHC (8-32x.38 LW)ANVIL	93
4	4	4	-	A	3-21002-3	SCR, BHC (1/4-20x.50)ST 6D PL	92
REF	REF	REF	-	A	2-22733-8	SCR, BHC (1/4-20x.62)BASE PL	91
							90
							89
							88
2	2	2	-	A	2-21000-6	SCR, 5HC (8-32x.38)SLUG BLADE	87
3	3	3	-	A	7-21000-4	SCR, 5HC (8-32x.31)STRIP GUIDE	86
2	2	2	-	A	2-21000-8	SCR, 5HC (8-32x.62)R STRIP GUIDE	85
REF	REF	REF	-	A	3-21000-7	SCR, 5HC (10-32x.75)FEED ROD GDE	84
							83
REF	REF	REF	-	A	3-21000-6	SCR, 5HC (10-32x.62)FEED ADJ PL	82
REF	REF	REF	-	A	3-21000-4	SCR, 5HC (10-32x.38)PIVOT BLOCK	81
2	2	2	-	A	3-21002-0	SCR, BHC (10-32x.88)SHEAR PL	80
-	REF	-	-	A	455745-1	GUARD, WINDOW	79
REF	-	-	-	A	679532-1	INSERT, GUARD	78
							77
							76
							75
							74
							73
REF	REF	REF	-	A	458109-1	WASHER, FLAT (SPECIAL)	72
REF	REF	REF	-	A	690517-1	SPACER	71
-3	-2	-1	U/M	DWG SIZE	PART NO	DESCRIPTION	ITEM NO
QTY REQD PER ASSY				PARTS LIST			

-1		LEADMAKER	MECH POST FEED		70		
-2		BENCH MODEL K	MECH PRE FEED				
-3		BENCH MODEL G	MECH PRE FEED				
REF	REF	REF	-	A	22594-8	NUT, HEX	70
REF	REF	REF	-	B	240628-1	PLATE, ADJ	69
REF	REF	REF	-	B	240626-1	SHAFT, PIVOT	68
REF	REF	REF	-	B	240633-1	BUSHING	67
REF	REF	REF	-	A	455680-1	LEVER, INTERMEDIATE	66
REF	REF	REF	-	B	240629-1	BLOCK, PIVOT	65
REF	REF	REF	-	A	240632-2	SCR, ADJ	64
REF	REF	REF	-	B	240659-3	PIN, CAM ROLLER	63
REF	REF	REF	-	B	240658-1	CAM, ROLLER	62
REF	REF	REF	-	B	454398-1	ROD, FEED	61
							60
							59
							58
							57
							56
							55
REF	REF	REF	-	B	240624-1	PIN, FEED FINGER	55
REF	REF	REF	-	B	691499-1	SPRING, FEED FINGER	54
REF	REF	REF	-	B	240635-1	FINGER, FEED	53
REF	REF	REF	-	B	240634-1	LEVER, TERMINAL	52
							51
							50
1	-	-	-	B	690602-6	CAM, PRE-FEED 1 5/8 ST	49
-	1	-	-	B	690602-5	CAM, PRE-FEED 1 1/8 ST	48
-	-	1	-	B	690501-4	CAM, POST-FEED 1 5/8 ST	47
							46
1	1	1	-	A	690191-1	PLUG, NYLON	45
1	1	1	-	C	455674-1	RAM	44
1	1	1	-	A	690125-1	WASHER, LAMINATED	43
1	1	1	-	A	690124-1	WASHER, RAM	42
1	1	1	-	A	7-21002-9	BOLT, CRIMPER (5/16-24x1.00)	41
							40
							39
1	1	1	-	A	690223-2	SPACER, INSULATION DISC	38
1	1	1	-	D	354777-1	WIRE DISC, PLASTIC	37
1	1	1	-	A	22480-5	WASHER, SPRING	36
1	1	1	-	B	690212-1	POST, RAM	35
							34
							33
1	1	1	-	D	458980-1	APPLICATOR, BASIC (SUB ASSY)	32
							31
							30
							29
1	1	1	-	B	3-690451-2	SPACER, STRIPPER	28
1	1	1	-	A	455566-1	STRIPPER	27
REF	REF	REF	-	C	455676-1	PLATE, BASE	26
2	2	2	-	A	22354-8	DRAG, STUD	25
1	1	1	-	B	455678-1	PLATE, STRIP GUIDE	24
1	1	1	-	C	240825-9	PLATE, STRIP HOLD DOWN	23
2	2	2	-	A	4-22281-1	SPRING, DRAG	22
							21
1	1	1	-	A	454177-1	DRAG, STOCK	20
							19
2	2	2	-	C	454204-1	GUIDE, STRIP (FRONT)	18
REF	REF	REF	-	A	454178-1	GUIDE, FEED ROD	17
REF	REF	REF	-	A	4-22284-9	SPRING, FEED RETURN	16
							15
							14
							13
1	1	1	-	A	23846-1	SPRING, HOLD DOWN	12
1	1	1	-	B	240644-1	PLATE, REAR SHEAR	11
							10
1	1	1	-	B	690482-1	PLATE, FRONT SHEAR	9
1	1	1	-	D	3-240654-7	ANVIL	8
1	1	1	-	B	690474-2	BLADE, SLUG	7
1	1	1	-	D	455892-1	HOLD DOWN, TERMINAL	6
1	1	1	-	C	1-240641-6	SPACER, SLUG BLADE	5
							4
							3
							2
							1
1	1	1	-	C	1-456404-8	CRIMPER, WIRE	1
-3	-2	-1	U/M	DWG SIZE	PART NO	DESCRIPTION	ITEM NO
QTY REQD PER ASSY				PARTS LIST			



- 1 RECOMMENDED SPARE PARTS.
- 2 GREASE LIGHTLY.
- 3 GUARD MUST BE IN PLACE WHEN OPERATING APPLICATOR IN A BENCH MACHINE.
- 4 LUBRICATE DAILY USING NO. 20 MACHINE OIL.
5. ITEMS WITH QTY OF REF SPECIFIED (EXCEPT ITEMS 78 AND 79) ARE USED ON ITEM 32.

THIS DRAWING IS UNCLASSIFIED DATE 01-28-1995
 RELEASED FOR PUBLICATION BY AMP INCORPORATED. ALL RIGHTS RESERVED.
 AMP 1756 REV 3-92
 THIS DRAWING IS UNCLASSIFIED DATE 01-28-1995
 RELEASED FOR PUBLICATION BY AMP INCORPORATED. ALL RIGHTS RESERVED.
 AMP 1756 REV 3-92

LOC	DIST	66
A	66	66

REV	DATE	DESCRIPTION
6	ECN 0150-0472-00	TE 7-00
F	0150-6577-96	TB 1/96
E	0150-6147-95, ADD-3	C.E. 5-95
P/F	LTR	REVISION RECORD

DIMENSIONS IN INCHES. DO NOT SCALE PRINT. TOLERANCES UNLESS OTHERWISE SPECIFIED:			
2 PLC DEC ±	3 PLC DEC ±	4 PLC DEC ±	ANGLES ±
SURF TEXTURE. <input checked="" type="checkbox"/>		REMOVE BURRS, BREAK SHARP EDGES R.015 MAX	
MATL	HT TR	FIN	
DR B.HIGMAN	5/5/95	APP T. BEDDICK	
CHK 5-10-95	REL 6/9/95	C. ERISMAN	
NAME		MACHINE REF	
SCALE		MINI APPL	
DWG NO	687894	SHEET	REV
1 OF 1		1 OF 1	G
CUSTOMER AND ASSEMBLY DRAWING			