

NOTES:

1. MATERIALS AND FINISHES:

BODY - BRASS (ASTM-B16 H02, C36000), GOLD PLATING  
 CONTACT PIN - BeCu, GOLD PLATING  
 INSULATOR - PTFE PER ASTM D 1710 OR EQUIV.

2. ELECTRICAL:

A. IMPEDANCE: 50 OHM  
 B. FREQUENCY RANGE: DC - 6 GHz

3. MECHANICAL:

A. TEMPERATURE RANGE: -65° C TO +165° C

4. PACKAGING:

A. QUANTITY: SINGLE PACK  
 B. MARKING: BAG TO BE MARKED  
 "AMPHENOL, APH-SMAJ-MMCXJ, AND DATE CODE

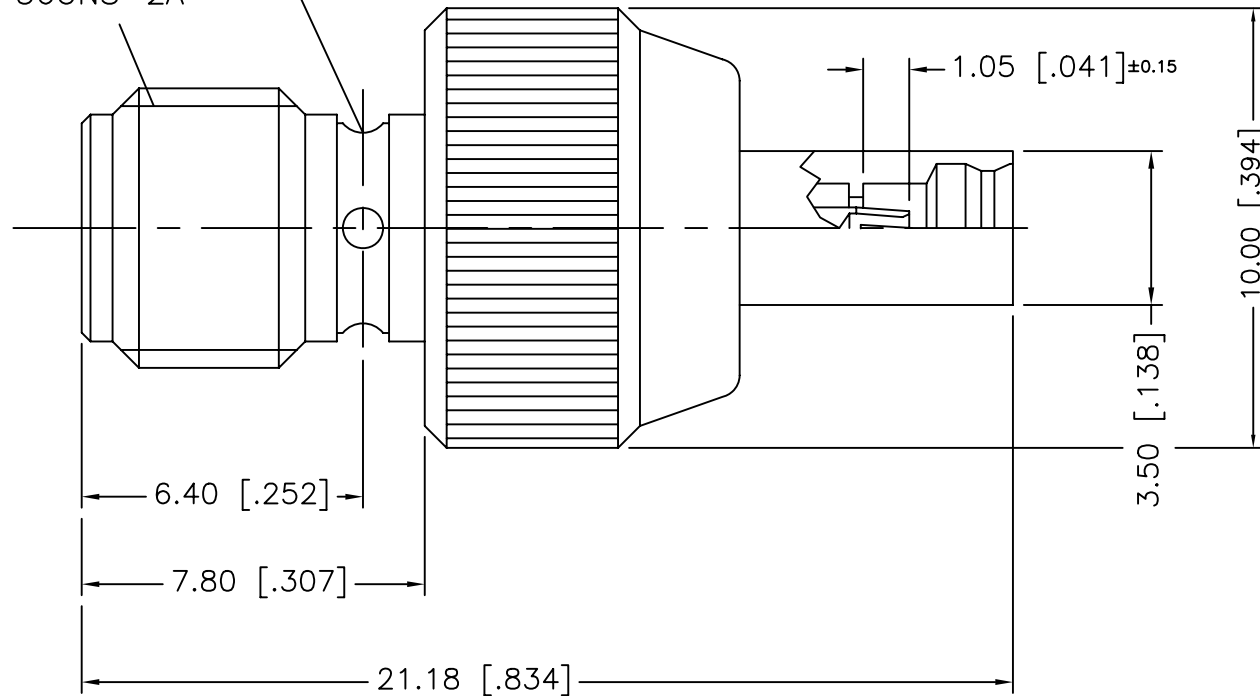
APH-SMAJ-MMCXJ

REVISIONS

DRAWING NO.	REV	DESCRIPTION	DATE	ECO	APPR
THIRD ANGLE PROJ.	A	RELEASE TO MFG.	9/12/06	46261	CPM/

STAKE IN 4 PLACES  
 EQUALLY SPACED 90° APART

1/4-36UNS-2A



UNLESS OTHERWISE SPECIFIED, DIMENSIONS ARE IN INCHES AND TOLERANCES ARE:  
 2 PLACE DECIMAL 3 PLACE DECIMAL ANGLES  
 ±.015 (0,381 mm) ±.005 (0,127 mm) ± 1°

NOTICE - These drawings, specifications, or other data (1) are, and remain the property of Amphenol Corp. (2) must be returned upon request; and (3) are confidential and not to be disclosed to any person other than those to whom they are given by Amphenol Corp. The furnishing of these drawings, specifications, or other data by Amphenol Corp., or to any other person to anyone for any purpose is not to be regarded by implication or otherwise in any manner licensing, granting rights or permitting such holder or any other person to manufacture, use or sell any product, process or design, patented or otherwise, that may in any way be related to or disclosed by said drawings, specifications, or other data.

MATERIAL	DRAWN	C. McGRATH	DATE	4/27/05
	ENGINEER	O. BARTHELMES	DATE	4/27/05
REFERENCE	APPROVED	O. BARTHELMES	DATE	9/8/06

TITLE  
**SMA JACK TO  
 MMCX JACK  
 ADAPTER**

**Amphenol**  
 Amphenol Corporation  
 RF/Microwave Operations  
 Danbury, Conn. U.S.A. 06810

SCALE: 2:1 SHEET OF

CAD FILE H:\DEPT611\ASSY\APH\SMAJ-MMCXJ

CODE ID  
 74868

DWG SIZE  
 B

DRAWING NO.  
 APH-SMAJ-MMCXJ

ISSUE  
 A