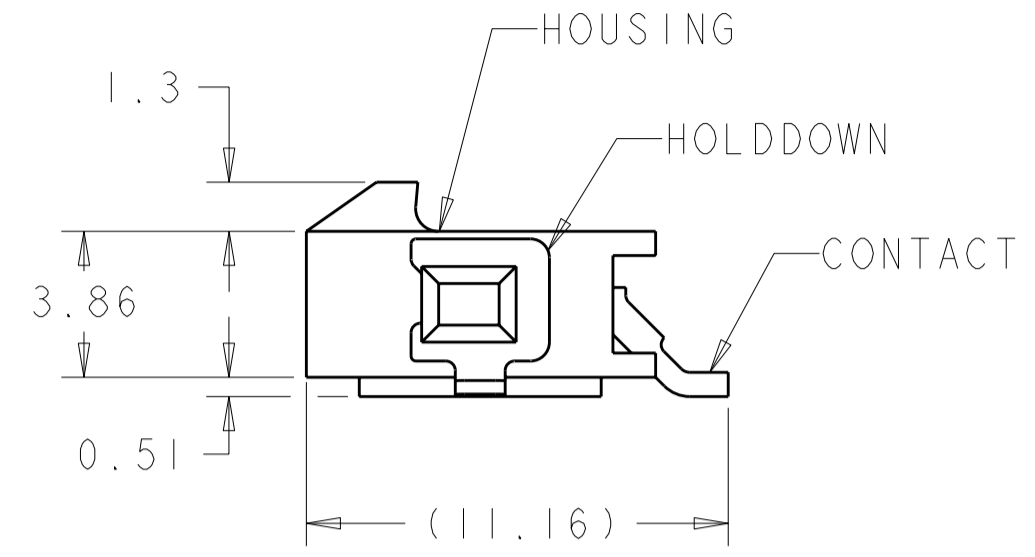
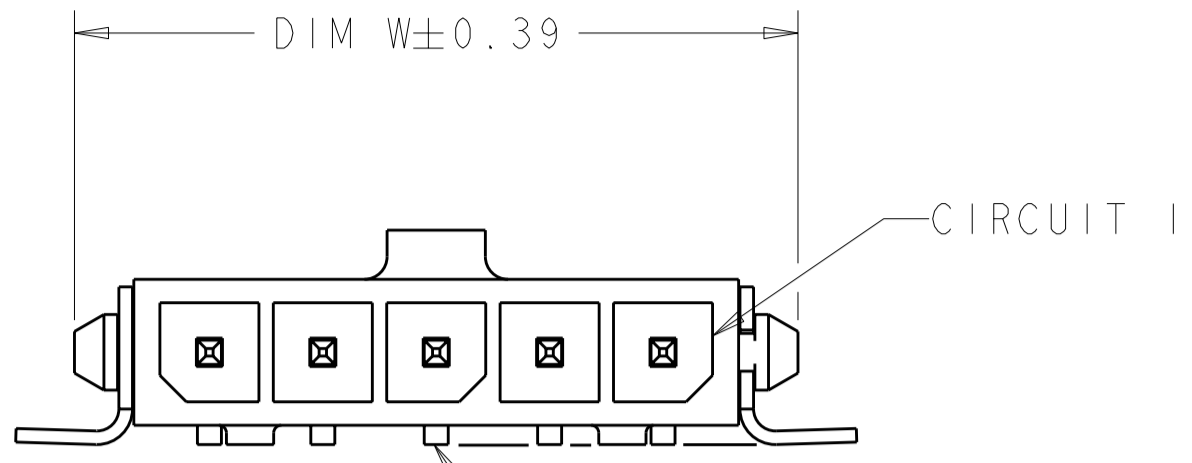
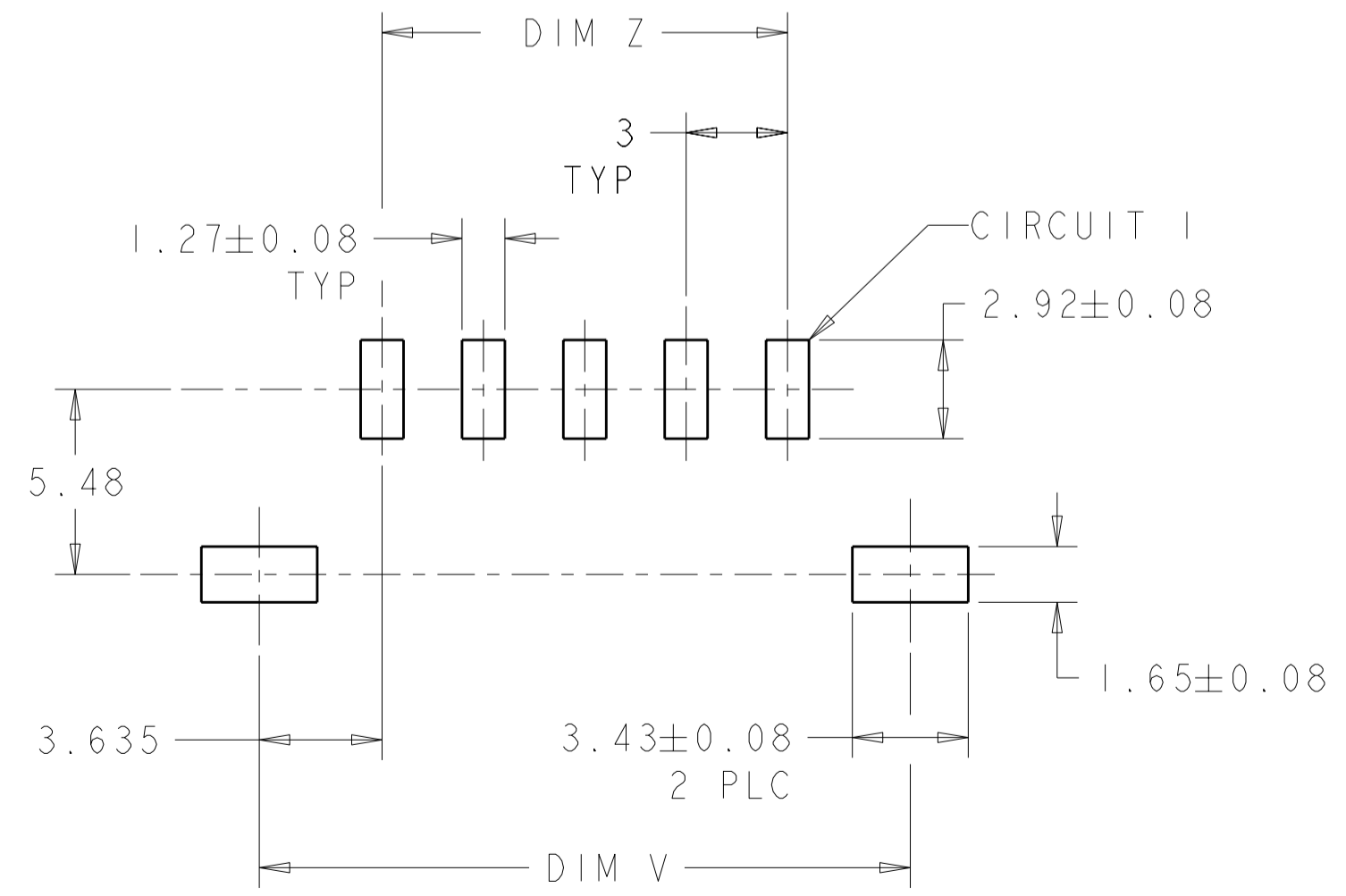
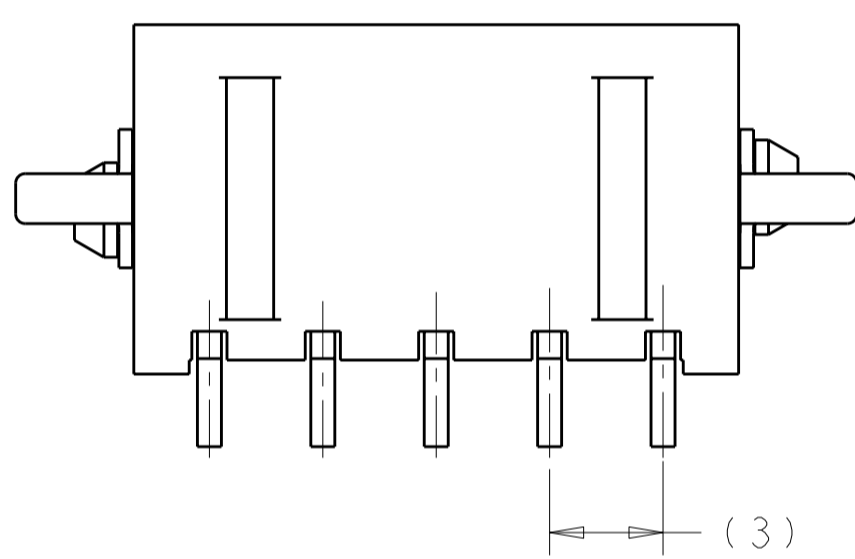


THIS DRAWING IS UNPUBLISHED. RELEASED FOR PUBLICATION 20  
 © COPYRIGHT 20 ALL RIGHTS RESERVED.

LOC	DIST	REVISIONS					
CM	00	P	LTR	DESCRIPTION	DATE	DWN	APVD
		B		REVISED PER ECO-11-010355	08JUN2011	HMR	JR

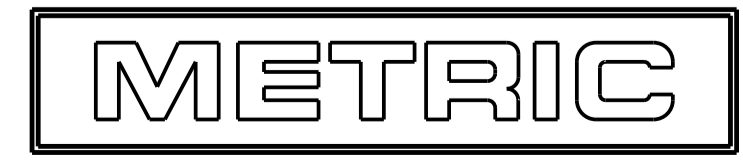


- 1 MATERIAL: CONTACTS - BRASS  
 HOUSING - UL 94V-0 RATED HIGH TEMP NYLON, COLOR NATURAL.  
 HOLDDOWNS - PHOSPHOR BRONZE.
- 2 PLATING: CONTACTS - 2.54µm MIN TIN OVER 1.27µm MIN NICKEL.  
 HOLDDOWNS - 2.54µm MIN TIN OVER 1.27µm MIN NICKEL.
- 3 RECOMMENDED PC BOARD THICKNESS OF 1.57



PCB LAYOUT COMPONENT SIDE 3

FINISH	DIM Z	DIM V	DIM W	NO. OF POSN	PART NUMBER
2	12	19.41	19	5	2029076-5
2	9	16.41	16	4	2029076-4
2	6	13.41	13	3	2029076-3
2	3	10.41	10	2	2029076-2



THIS DRAWING IS A CONTROLLED DOCUMENT.

DWN: K. WHITAKER 11MAR2008  
 CHK: C. JONES 11MAR2008  
 APVD: C. JONES 11MAR2008

TE Connectivity

NAME: RT ANGLE SURFACE MOUNT HEADER ASSY, TIN CONTACTS W/SURF MOUNT HOLDDOWNS, SINGLE ROW, MICRO MATE-N-LOK(TM)

SIZE: A2 CAGE CODE: 00779 DRAWING NO: 2029076 RESTRICTED TO: -

MATERIAL: SEE TABLE WEIGHT: - CUSTOMER DRAWING SCALE: 5:1 SHEET: 1 OF 1 REV: B