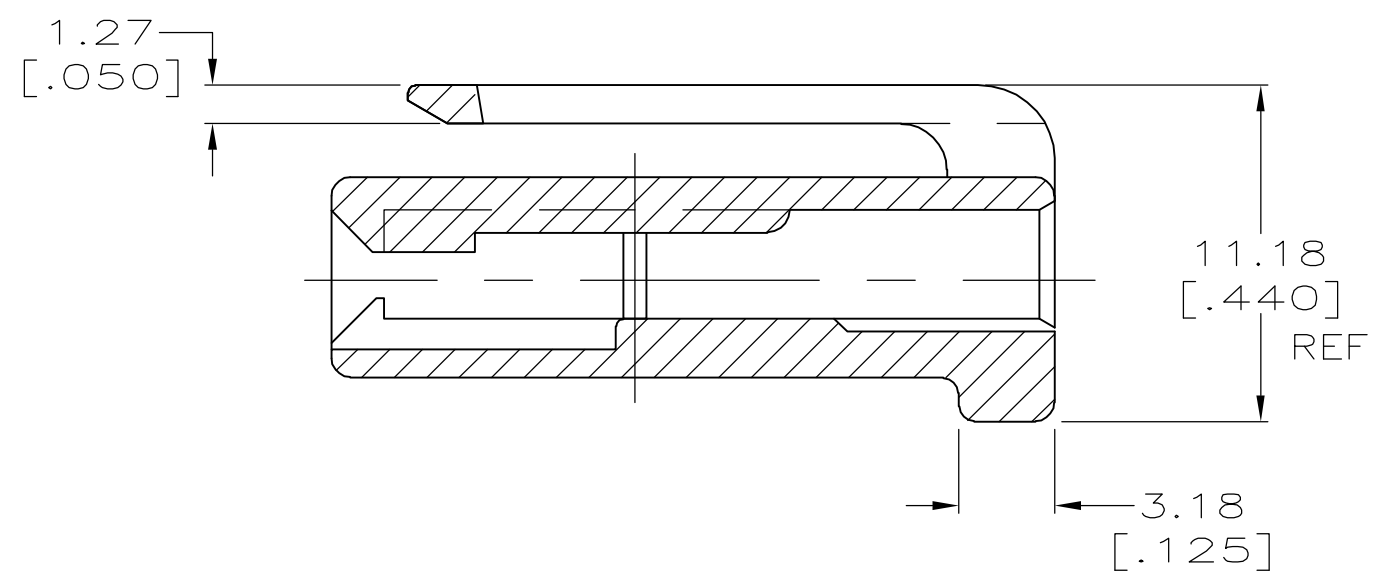
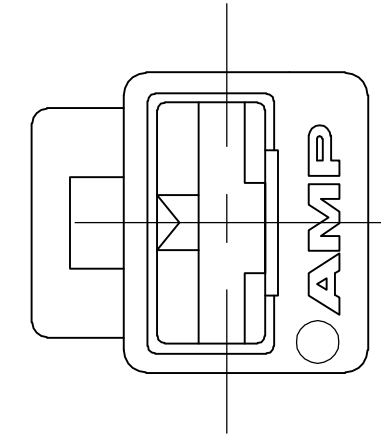
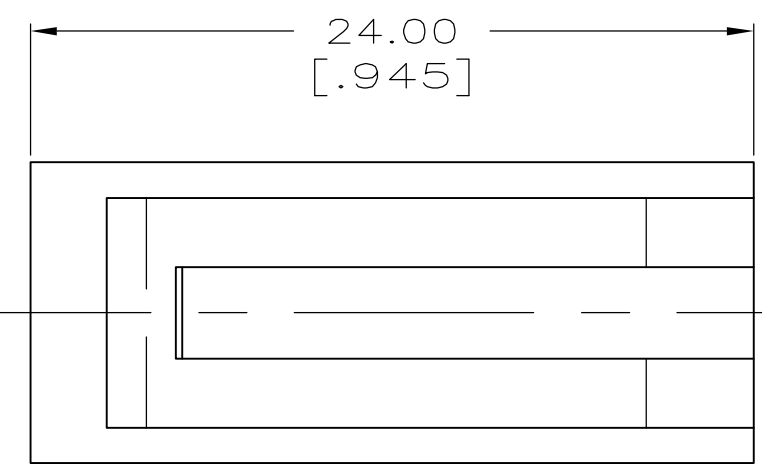
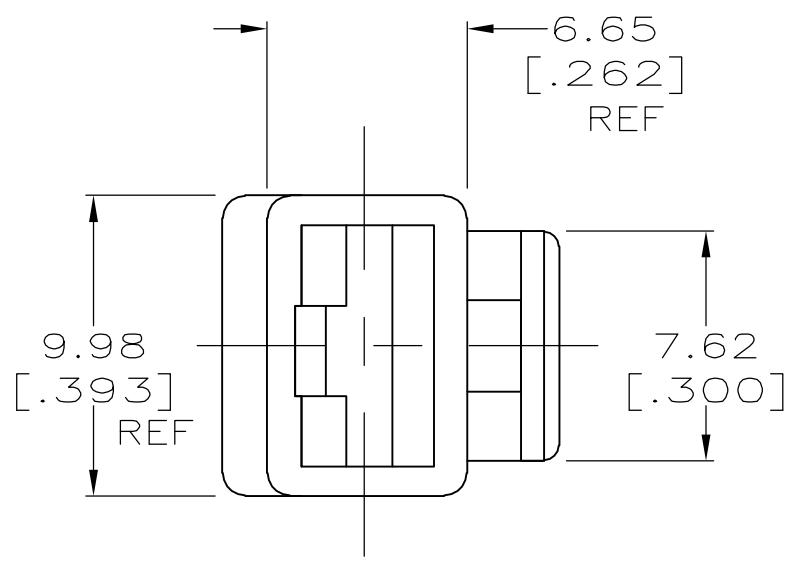


THIS DRAWING IS UNPUBLISHED. RELEASED FOR PUBLICATION  
 © COPYRIGHT BY TYCO ELECTRONICS CORPORATION. ALL RIGHTS RESERVED.

LOC	DIST	REVISIONS					
AF	50	P	LTR	DESCRIPTION	DATE	DWN	APVD
			A1	REVISED PER ECR 05-014705	09NOV05	JR	KR



521743-1  
PART NO.

THIS DRAWING IS A CONTROLLED DOCUMENT.		DWN	JR RUTH	11MAR99		Tyco Electronics Corporation	
		CHK	MS FEHER	11MAR99		Harrisburg, PA 17105-3608	
		APVD	S UNGER	11MAR99		NAME	
DIMENSIONS: mm [INCHES]		TOLERANCES UNLESS OTHERWISE SPECIFIED:		PRODUCT SPEC		HOUSING, RECEPT, FASTIN-FASTON, 6.35 [.250] SERIES	
		0 PLC	± -	APPLICATION SPEC		RESTRICTED TO	
		1 PLC	± -	WEIGHT		-	
		2 PLC	± 0.25 [.010]	CUSTOMER DRAWING		SCALE 4:1	
		3 PLC	± -	MATERIAL		SHEET 1 of 1	
		4 PLC	± -	6/6 NYLON		REV A1	
		ANGLES	± -	FINISH			
			NATURAL				