

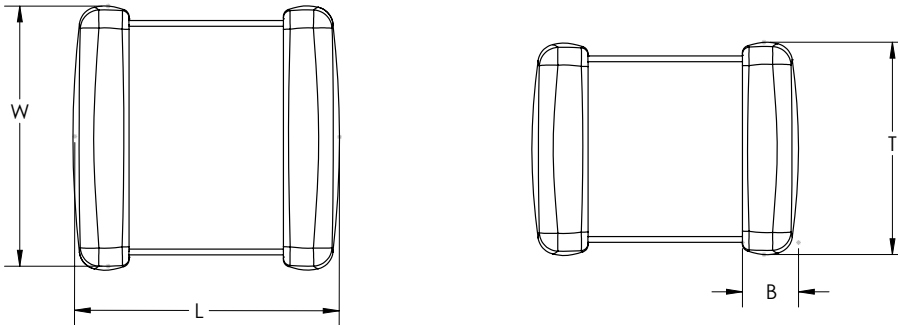
# Ultra HiQ-CBR, 0505 Case Size

## High Power (10 – 100 pF)

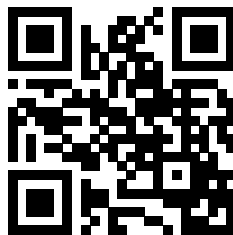
### Sample Kit Contents

KEMET Part Number	Case Size	Capacitance	Capacitance Tolerance	Rated Voltage	Dielectric	Quantity
	EIA/Metric	pF	%	VDC		
CBR05C100JAGAC	0505/1414	10	±5	250	C0G	50
CBR05C110JAGAC	0505/1414	11	±5	250	C0G	50
CBR05C120JAGAC	0505/1414	12	±5	250	C0G	50
CBR05C150JAGAC	0505/1414	15	±5	250	C0G	50
CBR05C150JAGAC	0505/1414	15	±5	250	C0G	50
CBR05C180JAGAC	0505/1414	18	±5	250	C0G	50
CBR05C200JAGAC	0505/1414	20	±5	250	C0G	50
CBR05C220JAGAC	0505/1414	22	±5	250	C0G	50
CBR05C240JAGAC	0505/1414	24	±5	250	C0G	50
CBR05C270JAGAC	0505/1414	27	±5	250	C0G	50
CBR05C330JAGAC	0505/1414	33	±5	250	C0G	50
CBR05C390JAGAC	0505/1414	39	±5	250	C0G	50
CBR05C470JAGAC	0505/1414	47	±5	250	C0G	50
CBR05C560JAGAC	0505/1414	56	±5	250	C0G	50
CBR05C680JAGAC	0505/1414	68	±5	250	C0G	50
CBR05C820JAGAC	0505/1414	82	±5	250	C0G	50
CBR05C101JAGAC	0505/1414	100	±5	250	C0G	50

### Dimensions – Millimeters (Inches)



Case Size (in.)	Case Size (mm)	L Length	W Width	T Thickness	B Bandwidth	Mounting Technique
0505	1414	1.40 +0.38 / -0.25 (0.055 +0.015 / -0.01)	1.40 ± 0.38 (0.055 ± 0.015)	1.15 ± 0.15 (0.045 ± 0.006)	0.25 + 0.25 - 0.13 (0.010 + 0.010 - 0.005)	Solder Reflow Only



[www.kemet.com/rf](http://www.kemet.com/rf)