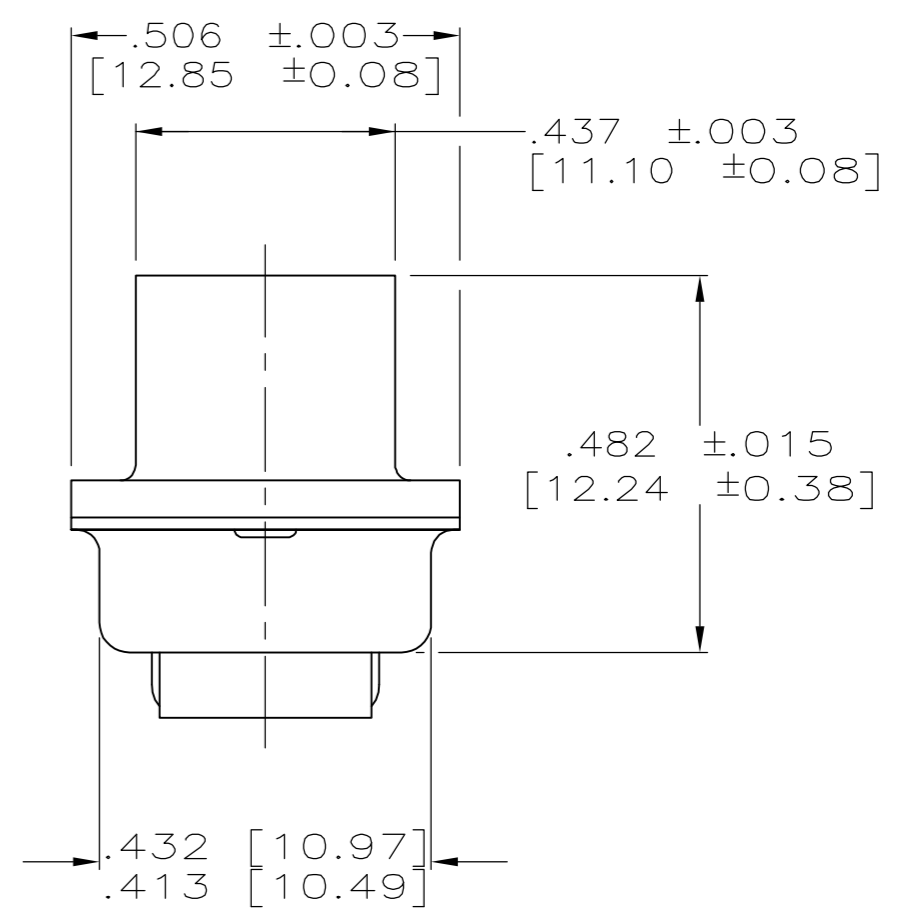
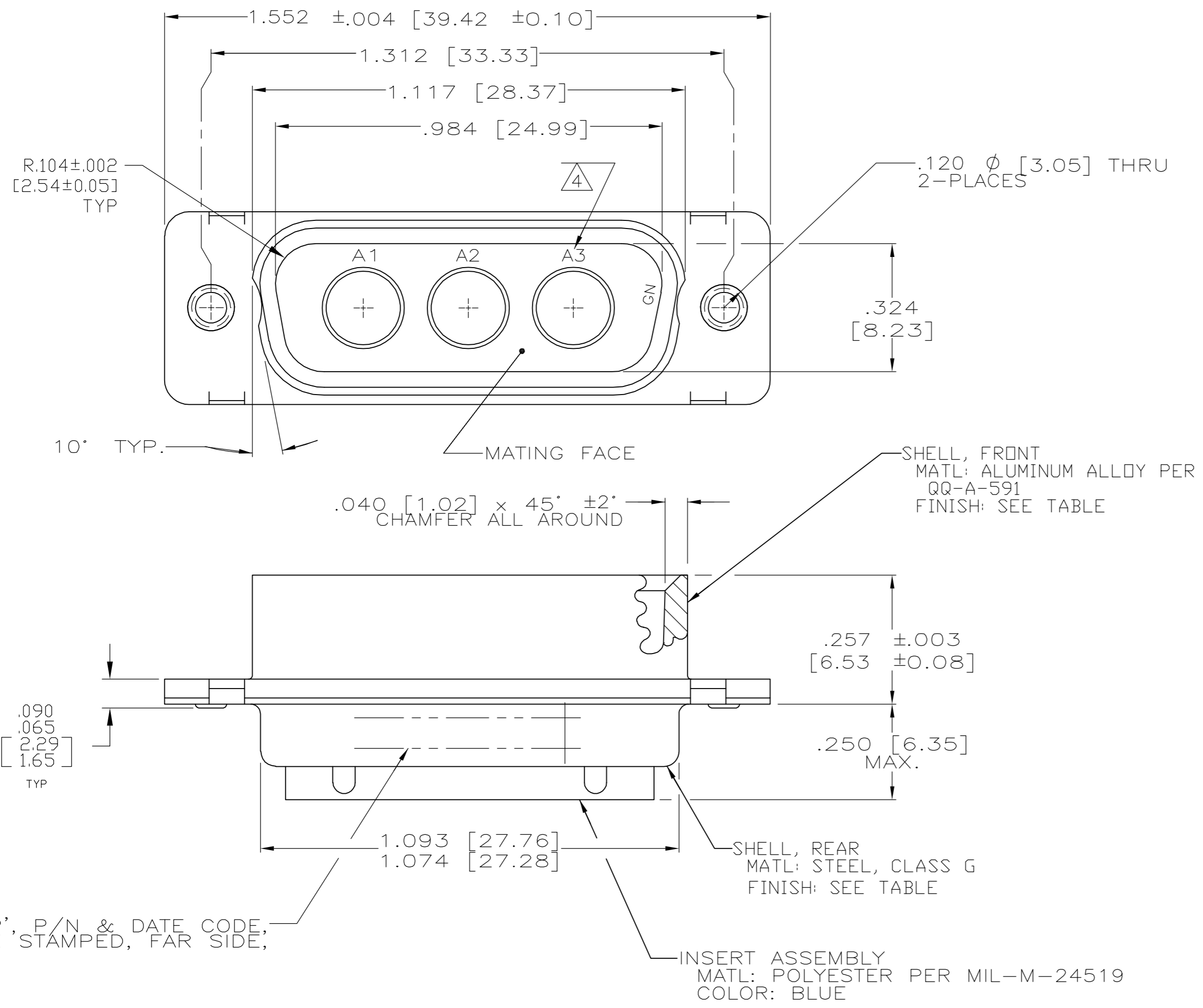


THIS DRAWING IS UNPUBLISHED. RELEASED FOR PUBLICATION  
 © COPYRIGHT BY TYCO ELECTRONICS CORPORATION. ALL RIGHTS RESERVED.

LOC	DIST	REVISIONS					
DF	D5	P	LTR	DESCRIPTION	DATE	DWN	APVD
		A		REV PER ECO 05-13647	4-6-06	CT	DM



'AMP', P/N & DATE CODE, INK STAMPED, FAR SIDE;

INSERT ASSEMBLY  
 MATL: POLYESTER PER MIL-M-24519  
 COLOR: BLUE

SHELL, FRONT  
 MATL: ALUMINUM ALLOY PER QQ-A-591  
 FINISH: SEE TABLE

SHELL, REAR  
 MATL: STEEL, CLASS G  
 FINISH: SEE TABLE

- THIS PLUG WILL MATE WITH ANY 3C3, SIZE 2 RECEPTACLE IN AMPLIMITE SERIES.
  - THIS PLUG IS DESIGNED TO CONFORM TO THE LATEST ISSUE OF MIL-C-24308.
  - CONTACTS NOT SUPPLIED WITH ASSEMBLY. CONTACTS TO BE PURCHASED SEPARATELY.
- ④ RAISED NUMBERS FOR IDENTIFICATION OF CIRCUIT HOLES.
  - ⑤ FINISH: CADMIUM PER QQ-P-416; YELLOW CHROMATE.
  - ⑥ FINISH: ZINC PLATED PER ASTM-B-633 .000200 MIN THK WITH SUPPLEMENTARY CHROMATE (Cr3+).

⑥	5-447717-1
⑤	447717-1
FINISH	PART NO.

THIS DRAWING IS A CONTROLLED DOCUMENT.		DWN	C.C.THOMAS	4-6-06	<b>AMP</b> Tyco Electronics Corporation Harrisburg, PA 17105-3608
DIMENSIONS: INCHES		CHK	D.MILLER	4-7-06	
TOLERANCES UNLESS OTHERWISE SPECIFIED:		APVD	D.MILLER	4-7-06	
0 PLC ± - 1 PLC ± - 2 PLC ± - 3 PLC ± .005 4 PLC ± - ANGLES ± - FINISH -		PRODUCT SPEC	NAME		
MATERIAL SEE CALLOUTS		APPLICATION SPEC		PLUG ASSY,AMPLIMITE,3C3,SIZE 2, SERIES 109,COAX MIX	
		WEIGHT	A2 00779		RESTRICTED TO
		CUSTOMER DRAWING		SCALE 4:1	SHEET 1 OF 1
				REV A	