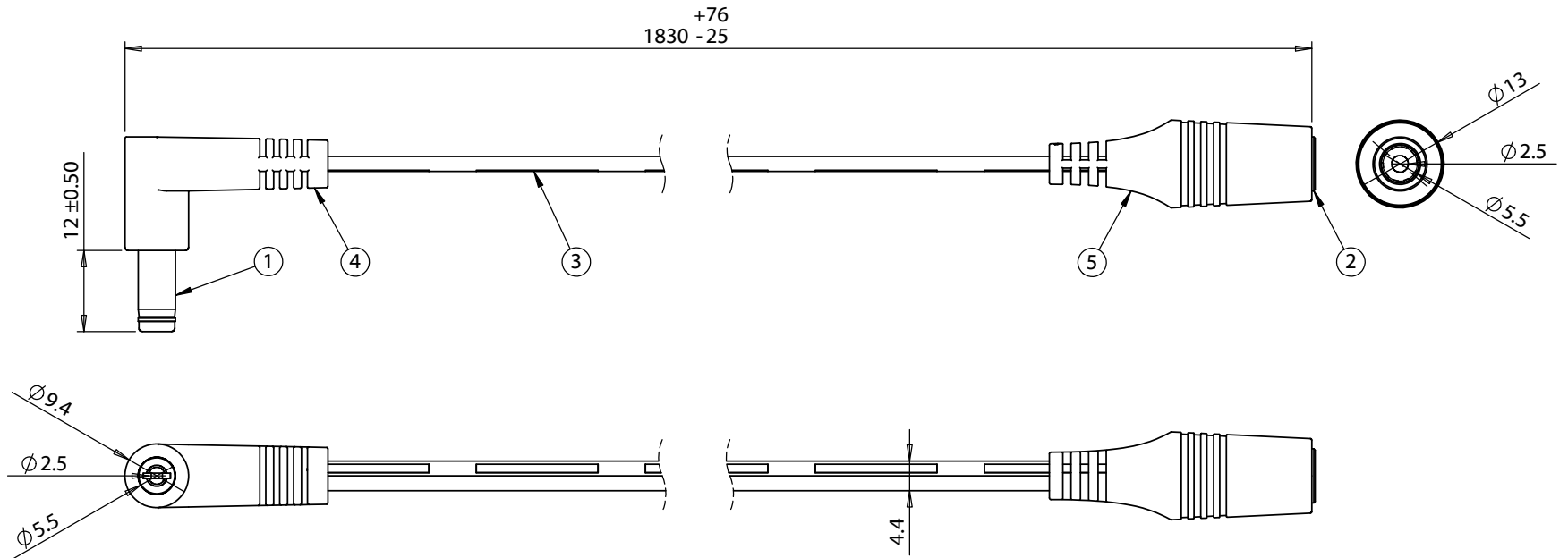


ITEM NO.	PART NUMBER	DESCRIPTION	QTY.	COMPONENT NOTES
1	50-00351	Connector, dc plug, 5.5x2.5xL25.0 mm, brass, nickel plated, molding style, spring contacts	1	
2	50-00027	Connector, dc jack, 5.5x2.5xL17.4 mm, molding style	1	
3	30-00007	Wire, 2C BC, 18 AWG, UL2468, 300V, 80C, 4.4 mm, VW-1, PVC, 87A	1	
4	24-00072	Overmold, PVC	1	black
5	24-00054	Overmold, PVC	1	black



Notes:

Electical requirement: 3 A, 36 Vdc

Hi-Pot test: 600 Vac, 0.5 mA, 1 second

Wiring Diagram		
50-00351	wire color	50-00027
center	black with stripe	center
sleeve	black	sleeve

Revision:	Date:	Description:	Prepared:	Notes:	<h1>TENSILITY</h1> <p>tel 1.541.323.3228 800 877.670.7118 fax 1.541.323.4202 web tensility.com</p> <p>Size: A Part number: 053-0380R (CA-2212)</p> <p>Scale: 1:1 Sheet 1 of 1</p>
A	1/19/2009	Re-issue CUI spec as Tensility		RoHS and REACH compliant	
A1	8/31/2011	Updated description, connector, and wire information	Verified:	Function test: no open, no short circuit, no intermittent	
A2	9/10/2013	Updated connector	Dimensions are in millimeters. Tolerances: X: ± 0.5 mm X.X: ± 0.3 mm X.XX: ± 0.05 mm	Description:	
A3	9/26/2013	Updated connector		Cable, 1830 mm, 5.5x2.5x12 mm, 90° 50-00351 plug to 5.5x2.5mm, 50-00027 jack, 18 AWG, 30-00007 wire	