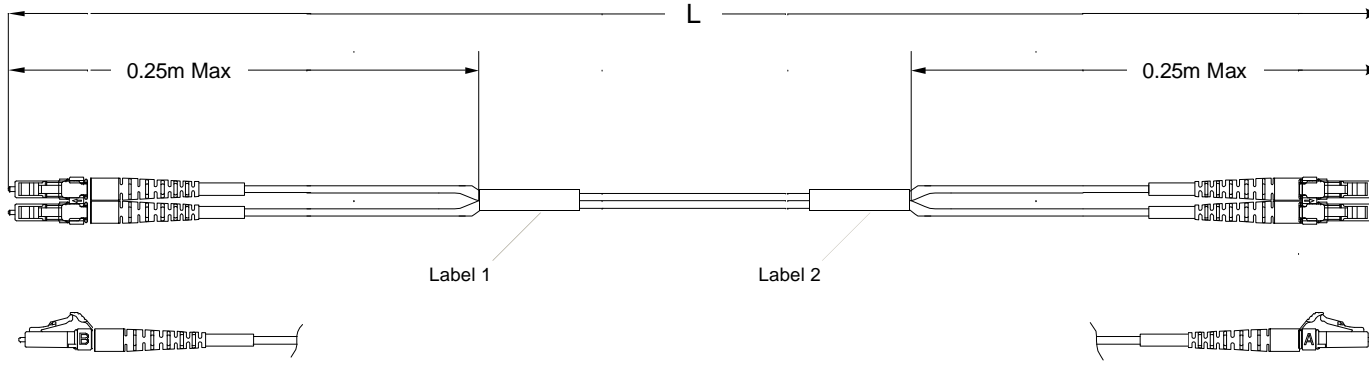


Restricted to: General Release

THIS DRAWING IS A CONTROLLED DOCUMENT. DWG NO 109061



Connector(s): LC-Duplex Secure
 Mode: MM
 Housing Color: Blue
 Geom. Spec: N/A

Number of Fibers: 2
 Mode: MM
 Jacket Diameter: 2.0 mm
 Jacket Color: Orange
 FiberType: 50/125

Connector(s): LC-Duplex
 Mode: MM
 Housing Color: Beige
 Geom. Spec: N/A

A - _____ - B
 B - _____ - A

LC strain relief - 1.6 to 2.0 mm cable
 Color: Beige/Beige

LC strain relief - 1.6 to 2.0 mm cable
 Color: Beige/Beige

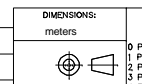
Notes:

- 1 Product and Processing must meet requirements of Tyco Electronics Standard 230-702
- 2 Includes dust caps (not shown on print).
- 3 Label 2 will not be present on any cable assembly less than 5 meters long.

THIS INFORMATION IS CONFIDENTIAL AND PROPRIETARY TO TYCO ELECTRONICS CORPORATION. IT IS NOT TO BE DISCLOSED TO ANY OTHER PERSON OR ENTITY WITHOUT THE WRITTEN AUTHORIZATION OF TYCO ELECTRONICS CORPORATION, HARRISBURG, PENNSYLVANIA.

LOC
 CE
 DIST
 16

Rev	Per	EC#	RELEASE	DATE	DWG	APVD
A				5/23/2006		
P	LTR		REVISION RECORD	DATE	DWG	APVD



DIMENSIONS:	TOLERANCES UNLESS OTHERWISE SPECIFIED:
meters	
0 PLC	± .
1 PLC	± .
2 PLC	± .
3 PLC	± .
4 PLC	± .

Customer Print

DWG	Cable Assy Configurator	MATERIAL		HEAT TREAT	
CHK	Cable Assy Configurator	Tyco Electronics, Inc. Harrisburg, PA 17105-3608			
APVD	Refer to Engineering Change				
NAME	FO C/A - 2 fiber, 2mm, 50/125, OFNR (Riser) jacket, LC-Duplex Secure to LC-Duplex				
SCALE	NTS	SIZE	A2	DRAWING NO	C- 1906013
SHEET	1 of 3	REV	A		

Label 1

Per specification 107-1645-1



Trace # - Bar Code

Trace # - Human Readable

Part Number

Country of Origin

This label is used on all lengths on this drawing.

Label 2

Per specification 107-1645-1



Trace # - Bar Code

Trace # - Human Readable

Part Number

Country of Origin

This label is used on all lengths on this drawing.

THIS DRAWING IS A CONTROLLED DOCUMENT.

THIS INFORMATION IS CONFIDENTIAL AND PROPRIETARY TO TYCO ELECTRONICS CORPORATION. IT IS TO BE USED ONLY FOR THE PURPOSES SPECIFIED IN THIS DRAWING. IT MAY NOT BE DISCLOSED TO ANYONE OTHER THAN TYCO ELECTRONICS PERSONNEL, WITHOUT WRITTEN AUTHORIZATION FROM TYCO ELECTRONICS CORPORATION, HARRISBURG, PENNSYLVANIA.

LOC
CE
DIST
16

A	Rev Per EC#	RELEASE	5/23/2006	-			
P	LTR	REVISION RECORD	DATE	DIN	APVD		

DIMENSIONS: meters	TOLERANCES UNLESS OTHERWISE SPECIFIED:
0 PLC ± .	1 PLC ± .
2 PLC ± .	3 PLC ± .
4 PLC ± .	

Customer Print

DIN	Cable Assy Configurator	MATERIAL	HEAT TREAT	
OK	Cable Assy Configurator			
APVD	Refer to Engineering Change	Tyco Electronics, Inc. Harrisburg, PA 17105-3608		
NAME	FO C/A - 2 fiber, 2mm, 50/125, OFNR (Riser) jacket, LC-Duplex Secure to LC-Duplex			
SCALE	SIZE	DRAWING NO	SHEET	REV
NTS	A2	C- 1906013	3 of 3	A