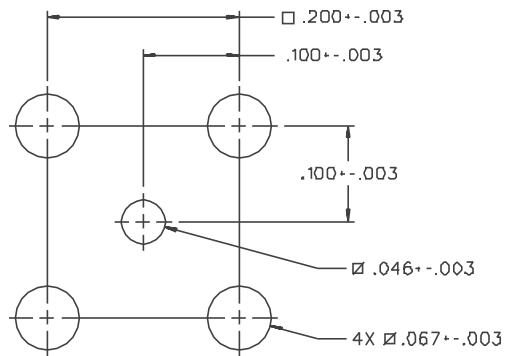
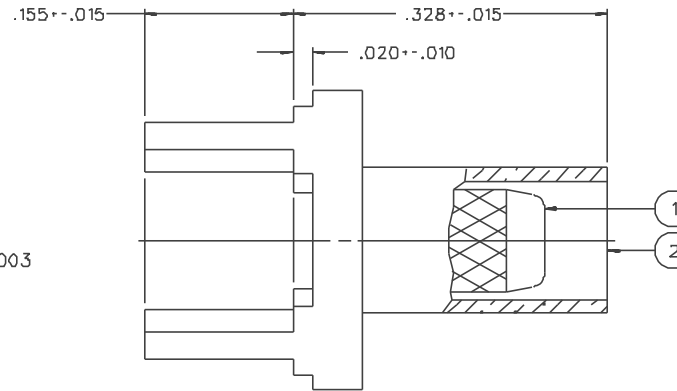
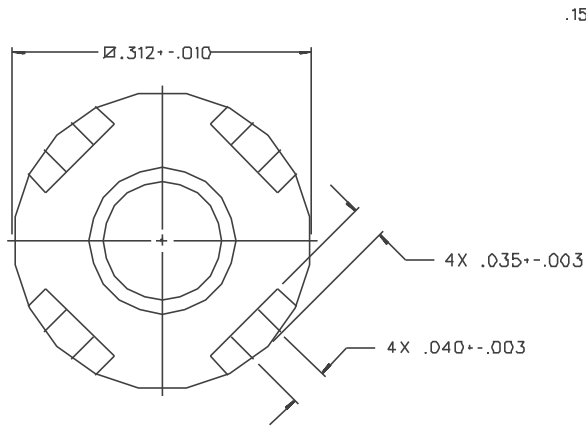
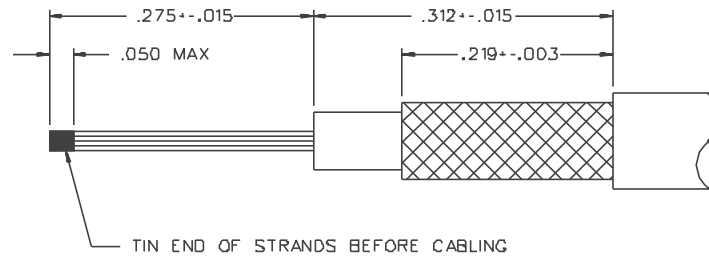


PART NUMBER	ITEM ① BODY	ITEM ② CRIMP SLEEVE
142-0003-201	BRASS GOLD PL .00001 MIN OVER NICKEL PL .00005 MIN OVER COPPER PL .00005 MIN	COPPER GOLD PL .00001 MIN OVER NICKEL PL .00005 MIN OVER COPPER PL .00005 MIN
142-0003-206	BRASS NICKEL PL .0001 MIN OVER COPPER PL .00005 MIN	COPPER NICKEL PL .0001 MIN OVER COPPER PL .00005 MIN

DRAWING NO. C - 142-0003-201/210			
0	REVISIONS		
CHANGED: REVISED AND REDRAWN. WAS "C" SIZE, DATED 11-26-86.			
02	05-16-88	EJ RRF/RJB	05-19-88 ECO 23380
VAX VERSION UPDATE.			
03	08-04-88	EJ RRF/RJB	8-10-88 ECO 23513
VERSION UPDATE			
4	5-10-93	RH	ECO 41659



MOUNTING HOLE LAYOUT



CABLE STRIP DIMENSIONS

CUSTOMER DRAWING


THIS DRAWING TO BE INTERPRETED  
PER ANSI Y 14.5M - 1982

"μSTATION"

COMPANY CONFIDENTIAL

NOTES:

- SPECIFICATIONS:  
CABLE ACCEPTABILITY: RG 188/U, RG 316/U, RG 161/U  
RG 174/U, RG 179/U, RG 187/U  
CABLE HCX CRIMP SIZE: .12B  
CABLE RETENTION: 20 LBS  
IMPEDANCE: 50 OHMS

TOLERANCE UNLESS OTHERWISE SPECIFIED	DRAWN BY <b>EJ</b>	DATE 7-31-87	 <small>Cinch Connectivity Solutions 299 Johnson Ave, Ste. 100 Waseca, MN 56093 1-800-247-8256</small>	
DECIMALS .XX	CHECKED BY	DATE	TITLE CABLE TERMINATION STRAIGHT PC MOUNT RG 316	
.XXX	APPROVED BY RRF	DATE 5-16-88	CODE NO.	DRAWING NO. C - 142-0003-201/210
MATL	APPROVED BY RJB	DATE 5-16-88	SCALE 10:1	U/M INCH SHEET 2 OF 2
FINISH	RELEASE DATE	DATE 5-19-88		