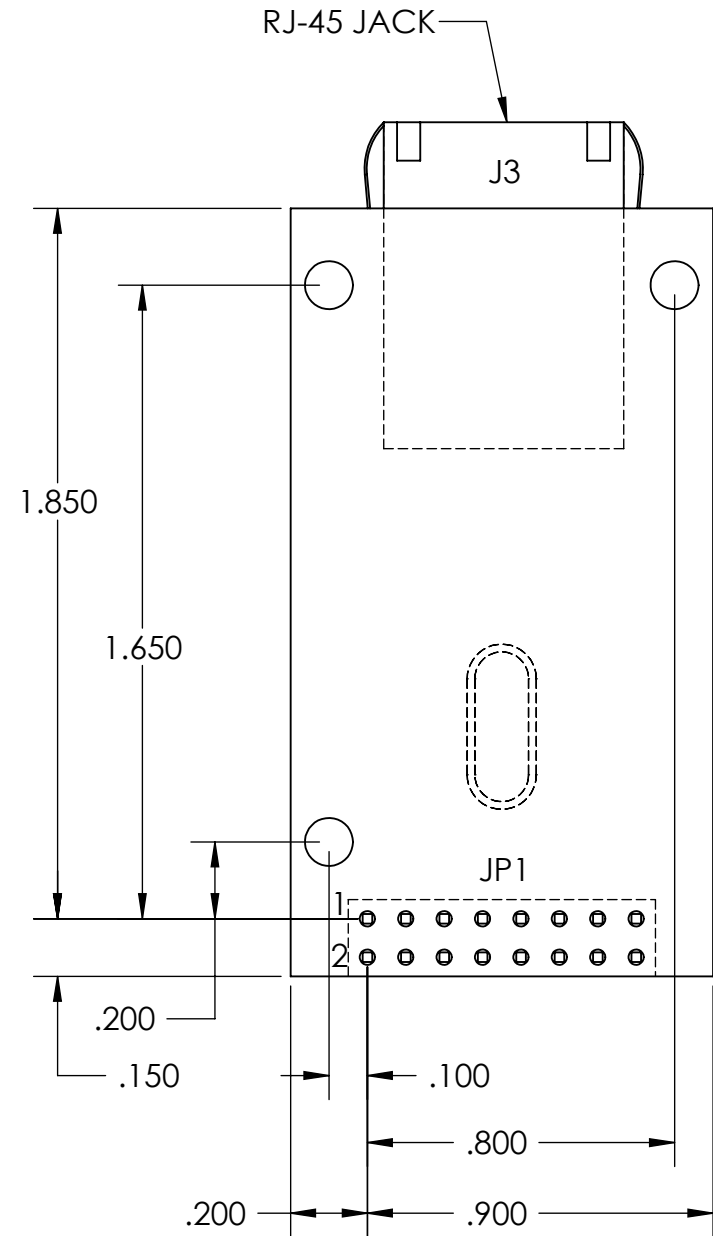


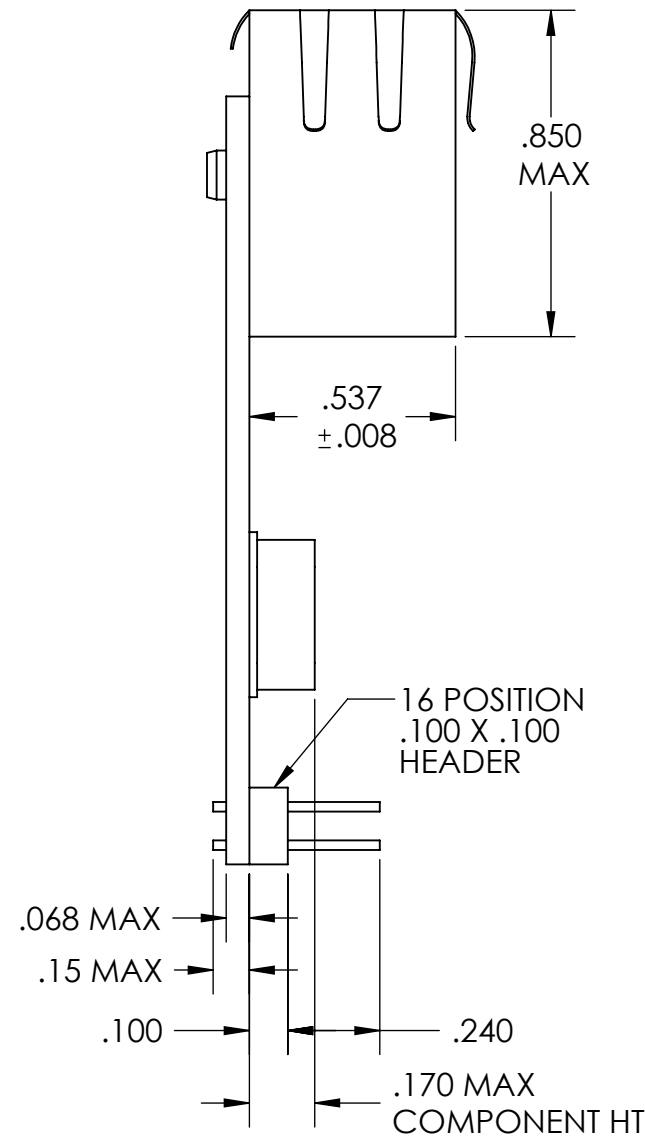
NOTES: UNLESS OTHERWISE SPECIFIED

1 USE 3/16 INCH DIA #4 STANDOFFS OR SPACERS FOR MOUNTING. FOR SOLDER PIN CLEARANCE, THE MODULE NEEDS .09 INCH MINIMUM DISTANCE BETWEEN THE MODULE PCB AND A PANEL ON THE SOLDER SIDE. TO CLEAR THE RJ-45 CONNECTOR, THE MODULE NEEDS .55 INCH MINIMUM DISTANCE BETWEEN THE MODULE PCB AND A MOTHERBOARD ON THE COMPONENT SIDE. USE .22 INCH DIA INSULATING WASHERS AND #4 PAN HEAD SCREWS TO MOUNT STANDOFFS OR SPACERS. APPLICATION EXAMPLE ON SHEET 2 SHOWS USE OF CABLE ON CONNECTOR JP1. APPLICATION EXAMPLE ON SHEET 3 SHOWS USE OF MOTHERBOARD AND ALLOWS COMPONENT HEIGHT OF .39 INCH UNDER THE MODULE.

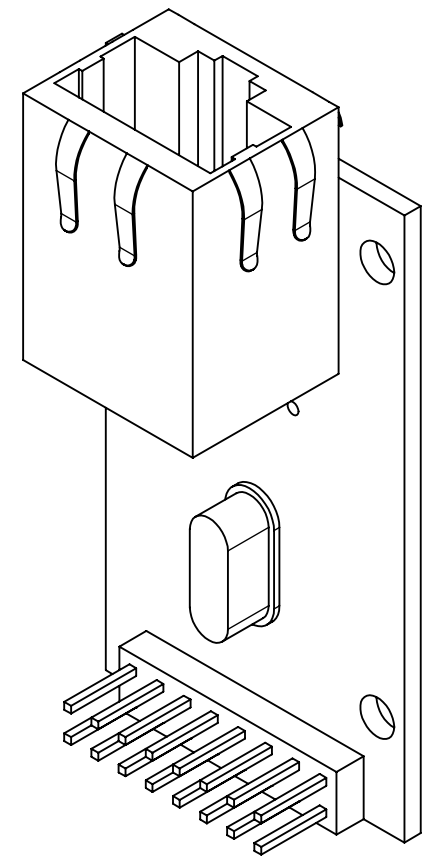
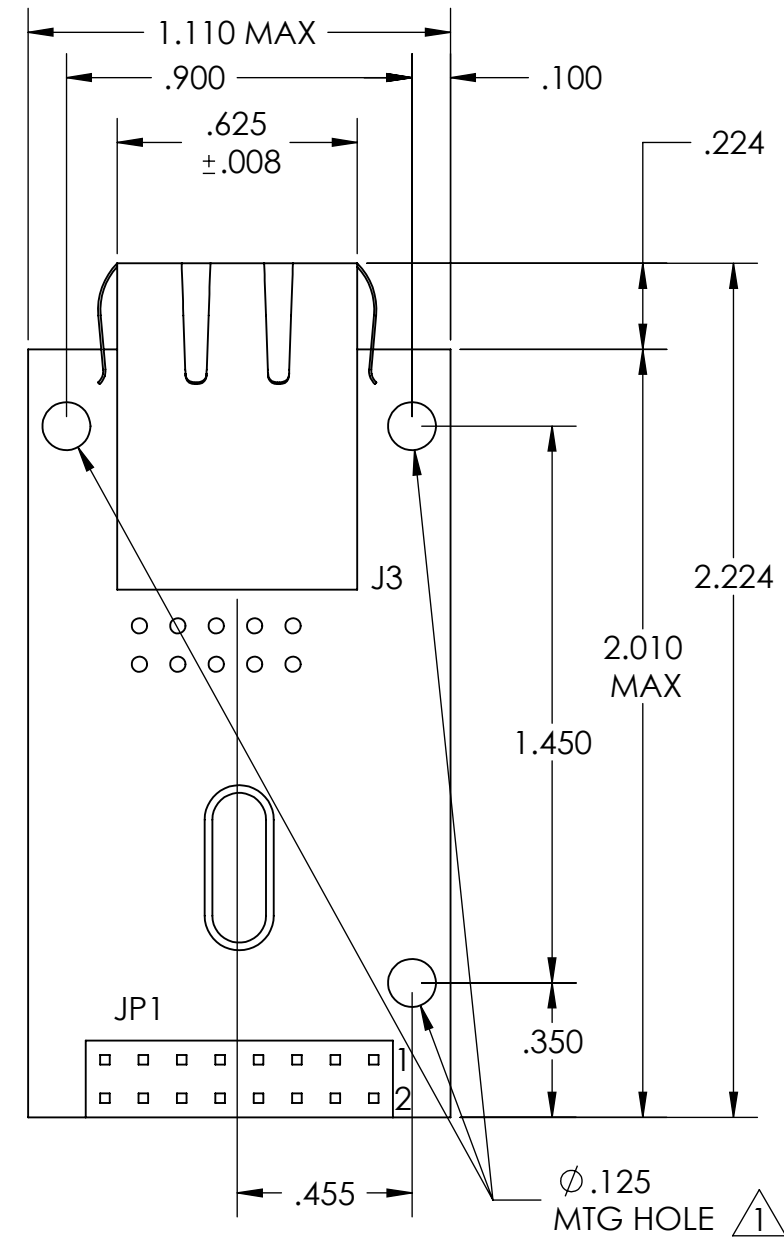
REVISIONS				
ZONE	REV	DESCRIPTION	DATE	APVD
	D	REVISED AND REDRAWN	17JUL10	J. PETER



SOLDER SIDE OF MODULE



COMPONENT SIDE OF MODULE

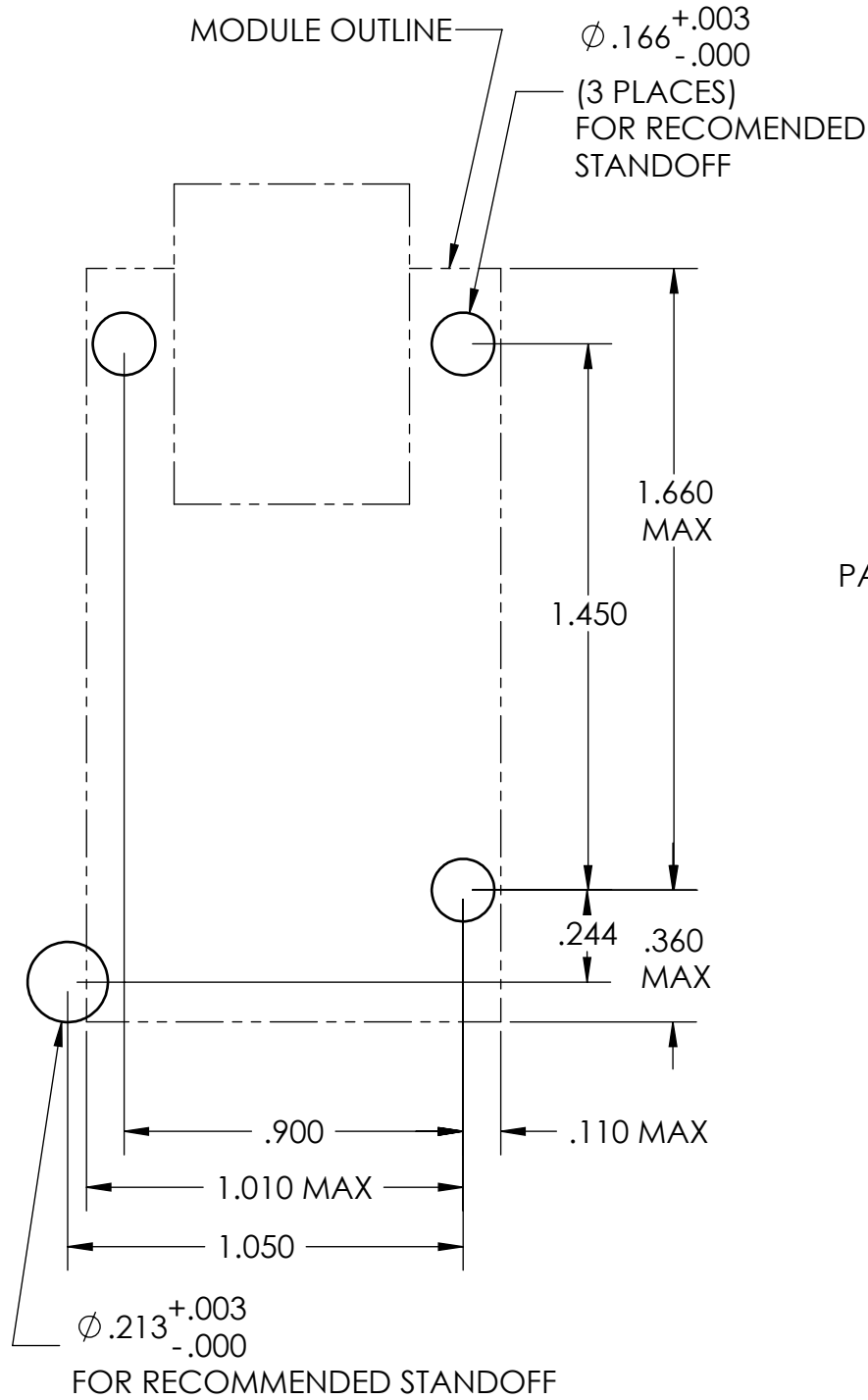
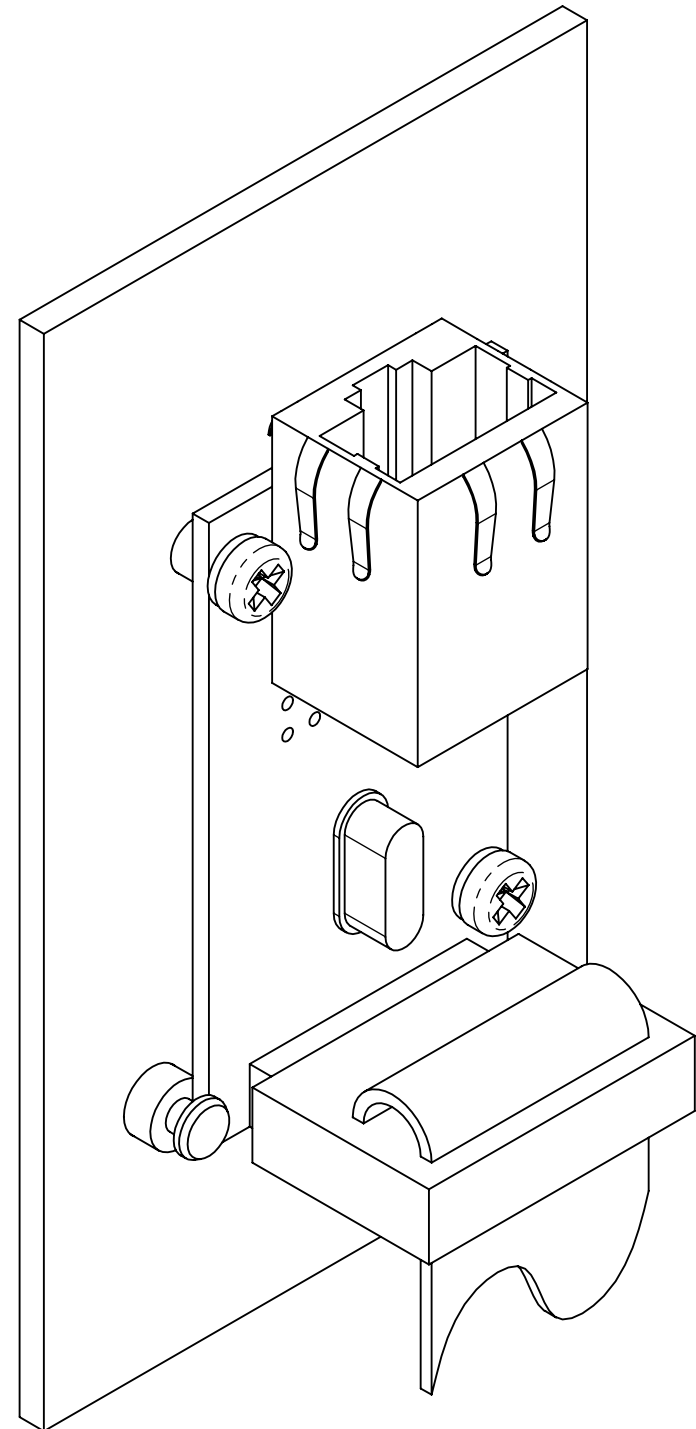


DO NOT SCALE DRAWING UNLESS OTHERWISE SPECIFIED DIMENSIONS ARE IN INCHES TOLERANCES: .X ± .1 HOLE DIA UP TO .500 \pm .005 HOLE DIA ABOVE .500 \pm .010 ANGLES \pm 0° 30'		PROPRIETARY INFORMATION	5405 MOREHOUSE DR., STE 200 SAN DIEGO, CA. 92121 (858) 558-0293	
THIRD ANGLE PROJECTION			CUSTOMER DRAWING MODEL SBL2e-100IR	
APPROVED		NOT TO BE COPIED, USED, OR DISCLOSED WITHOUT WRITTEN PERMISSION FROM NETBURNER	SIZE	FSCM
DRAWN BY	J. PETER 17JUL10		SCALE	1:1
		CAD/CAM DRAWING DO NOT MANUALLY REVISE OR UPDATE	D	850430
				REV
				D
				SHEET 1 OF 3

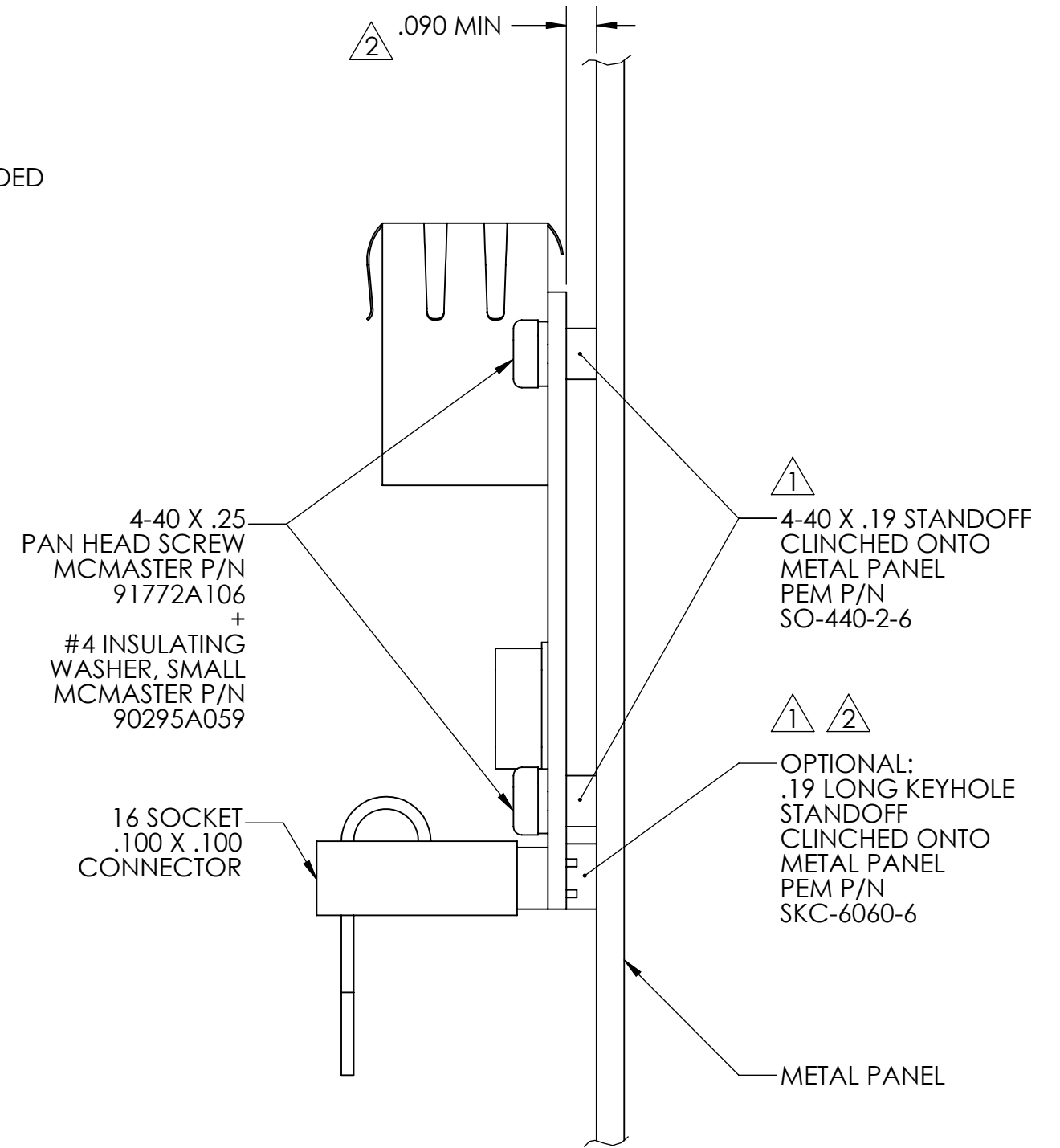
NOTES (CONT'D):


2 IF KEYHOLE STANDOFF NOT USED, BOARD SHOULD BE HELD WHILE ENGAGING OR DISENGAGING CONNECTOR TO AVOID BENDING THE MODULE.

**APPLICATION SAMPLE 1
CABLE AT JP1, MODULE MOUNTED ON METAL PANEL**



**MODULE SIDE
OF METAL PANEL**

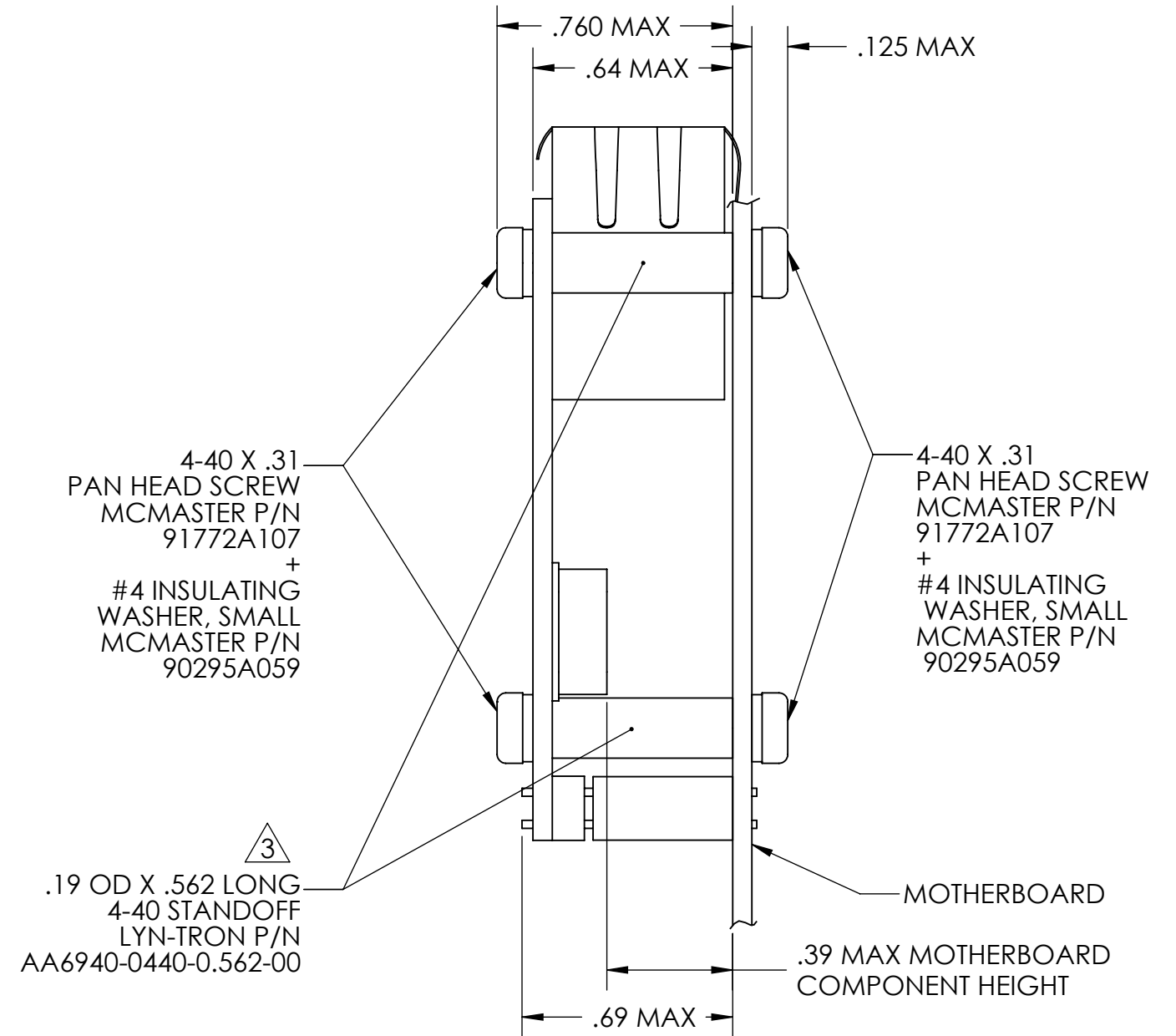
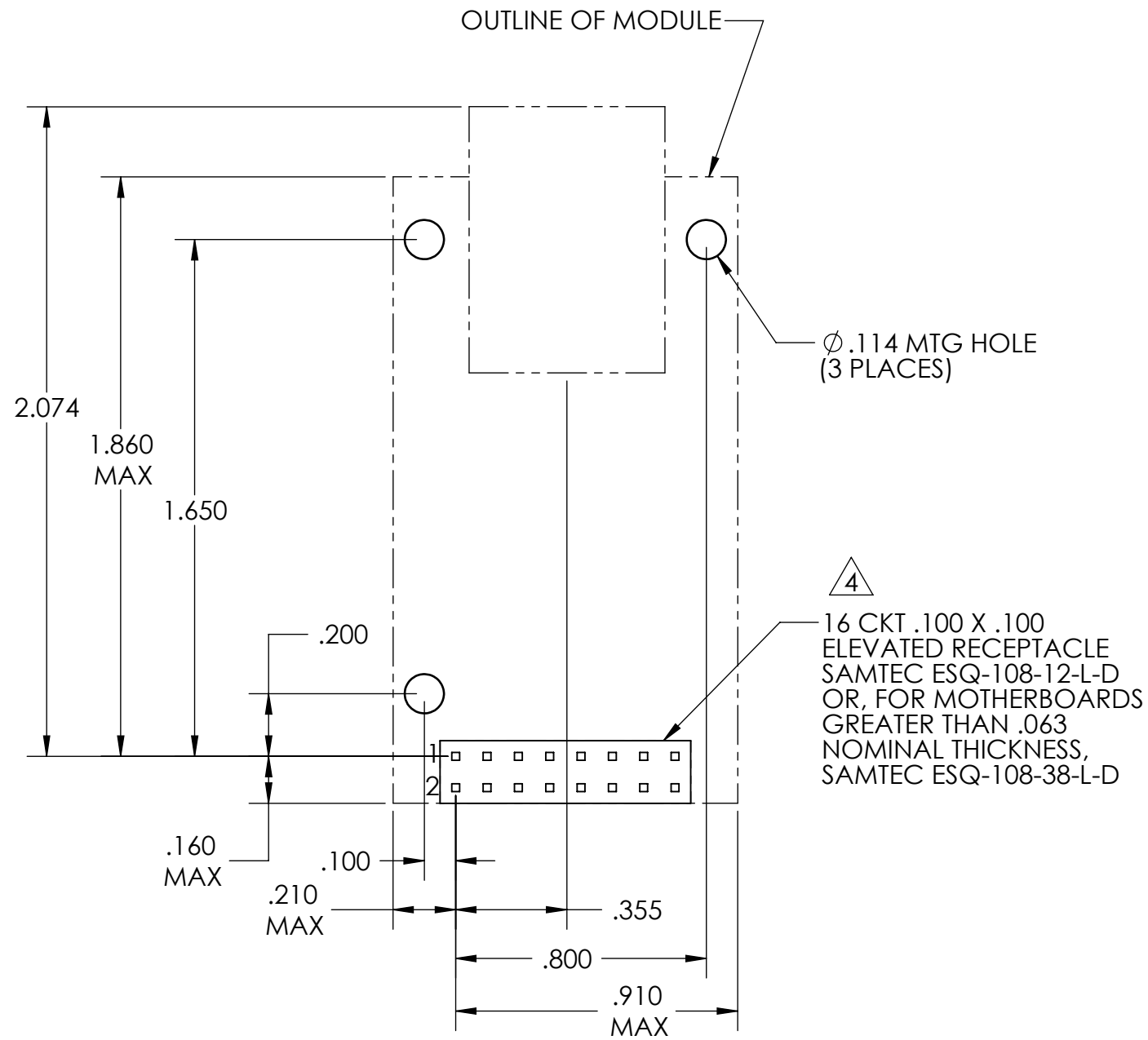


PROPRIETARY INFORMATION NOT TO BE COPIED, USED, OR DISCLOSED WITHOUT WRITTEN PERMISSION FROM NETBURNER	 5405 MOREHOUSE DR., STE 200 SAN DIEGO, CA. 92121 (858) 558-0293		
	TITLE: CUSTOMER DRAWING MODEL SBL2e-100IR		
CAD/CAM DRAWING DO NOT MANUALLY REVISE OR UPDATE	SIZE: B SCALE: 2:1	FSCM: 850430 DRAWING NUMBER: 850430	REV: D SHEET 2 OF 3

NOTES (CONT'D):

- 3 IF MOTHERBOARD COMPONENT HEIGHT EXCEEDS .39: STANDOFFS SHOULD BE OF A MINIMUM LENGTH TO ACCOMMODATE THE HEIGHT OF THE MOTHERBOARD COMPONENTS PLUS .17 (ASSUMING NO COMPONENTS ARE UNDER THE RJ-45 CONNECTOR).
- 4 MATING CONNECTORS OR SOCKETS SHOULD ACCOMMODATE THE APPROPRIATE RANGE OF PIN INSERTION DEPTH. THE RANGE IS DEPENDENT ON STANDOFF LENGTH AND CONNECTOR HEIGHT. ASSUMING THE TOTAL TOLERANCE FOR THESE DIMENSIONS IS $\pm .010$, THE MINIMUM PIN INSERTION DEPTH WOULD BE $\{ .31 + \text{CONNECTOR HEIGHT} - \text{STANDOFF LENGTH} \}$. THE MAXIMUM DEPTH WOULD BE .05 GREATER THAN THE MINIMUM.

APPLICATION SAMPLE 2 MOTHERBOARD, .39 COMPONENT HEIGHT UNDER MODULE.



COMPONENT SIDE OF MOTHERBOARD SHOWN

PROPRIETARY INFORMATION <small>NOT TO BE COPIED, USED, OR DISCLOSED WITHOUT WRITTEN PERMISSION FROM NETBURNER</small>	<small>5405 MOREHOUSE DR., STE 200 SAN DIEGO, CA. 92121 (858) 558-0293</small>		
	TITLE: CUSTOMER DRAWING MODEL SBL2e-100IR		
CAD/CAM DRAWING DO NOT MANUALLY REVISE OR UPDATE	SCALE: 2:1	DRAWING NUMBER: 850430	REV: D
			SHEET 3 OF 3