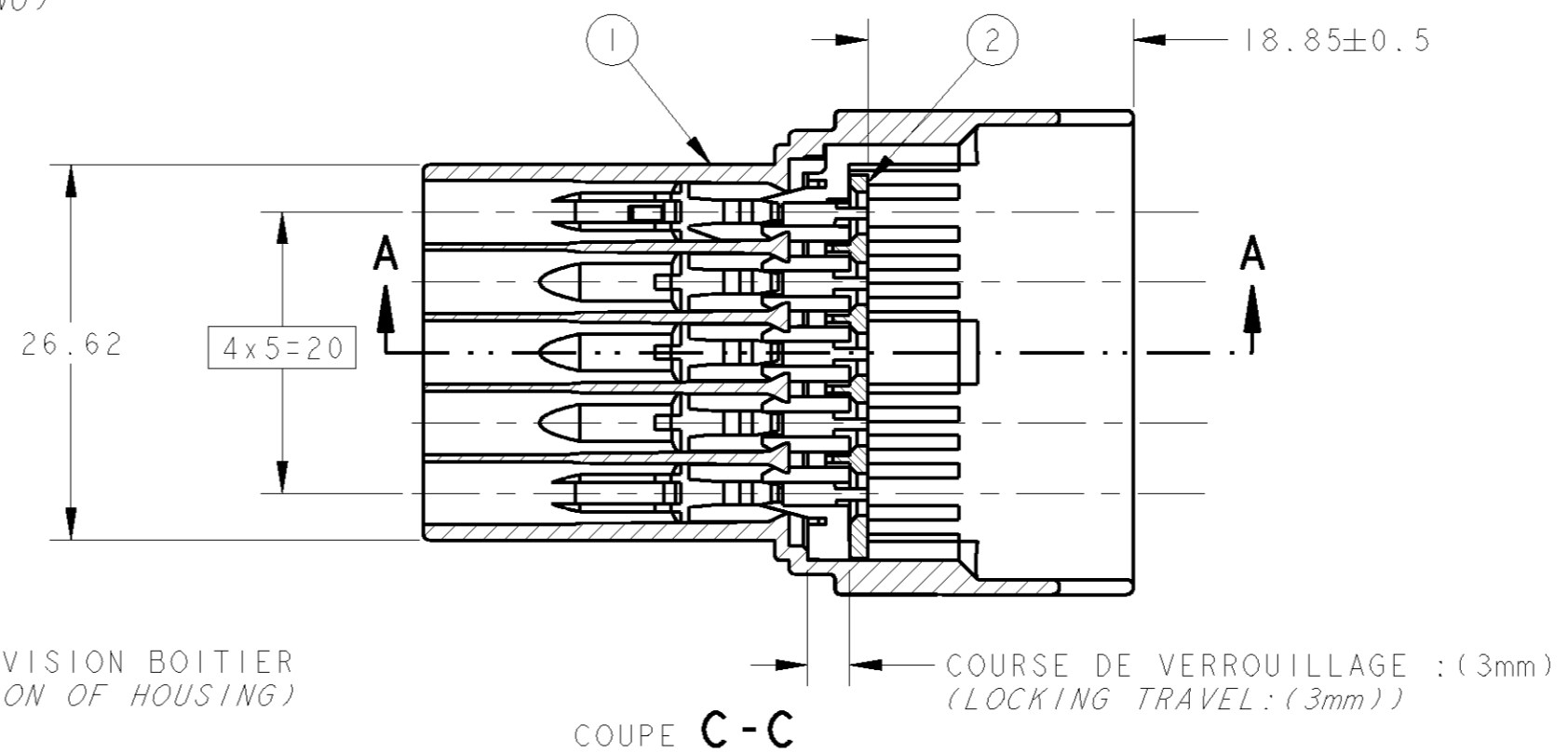
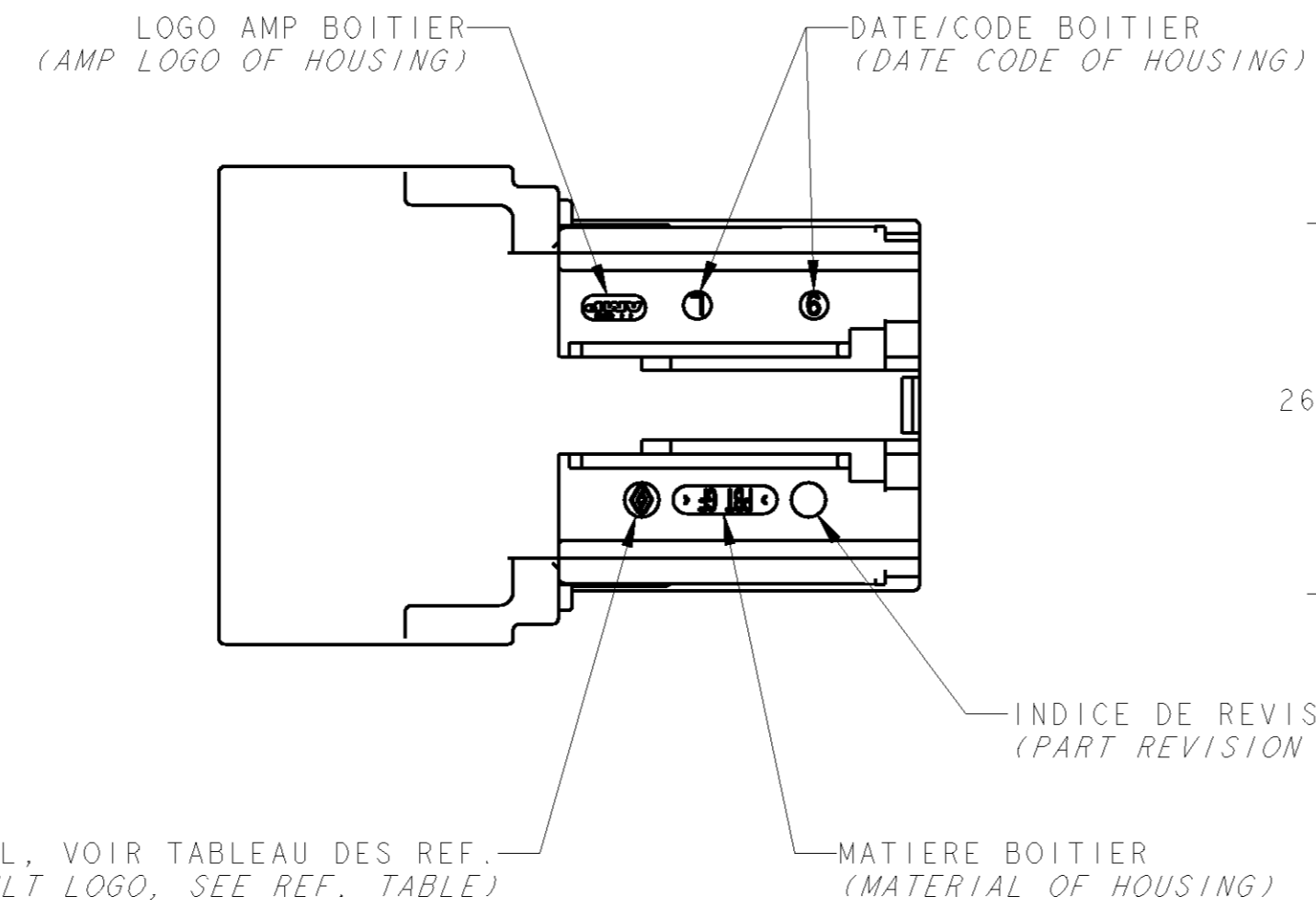
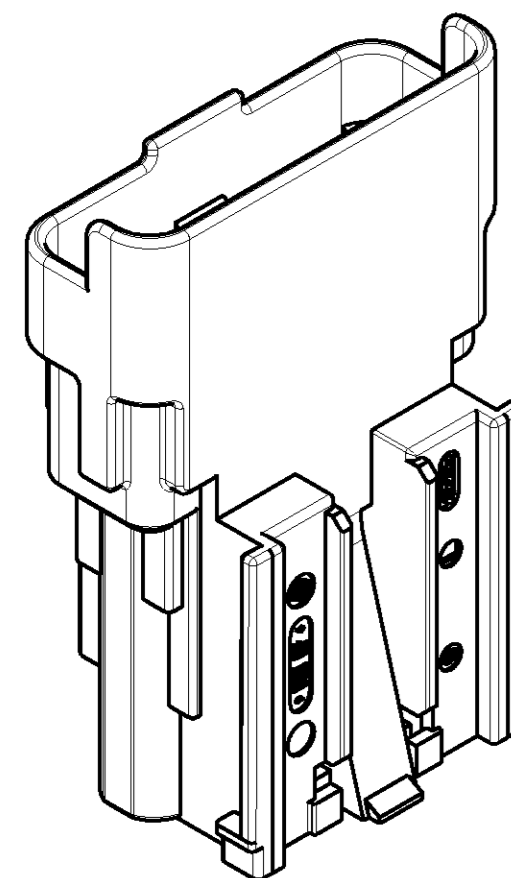
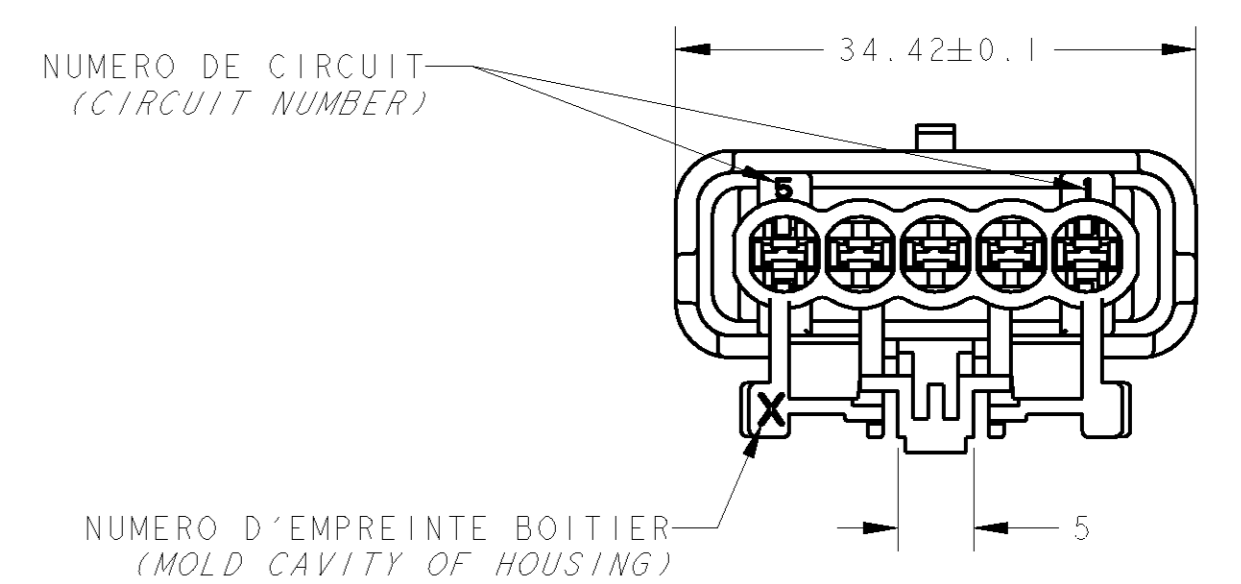
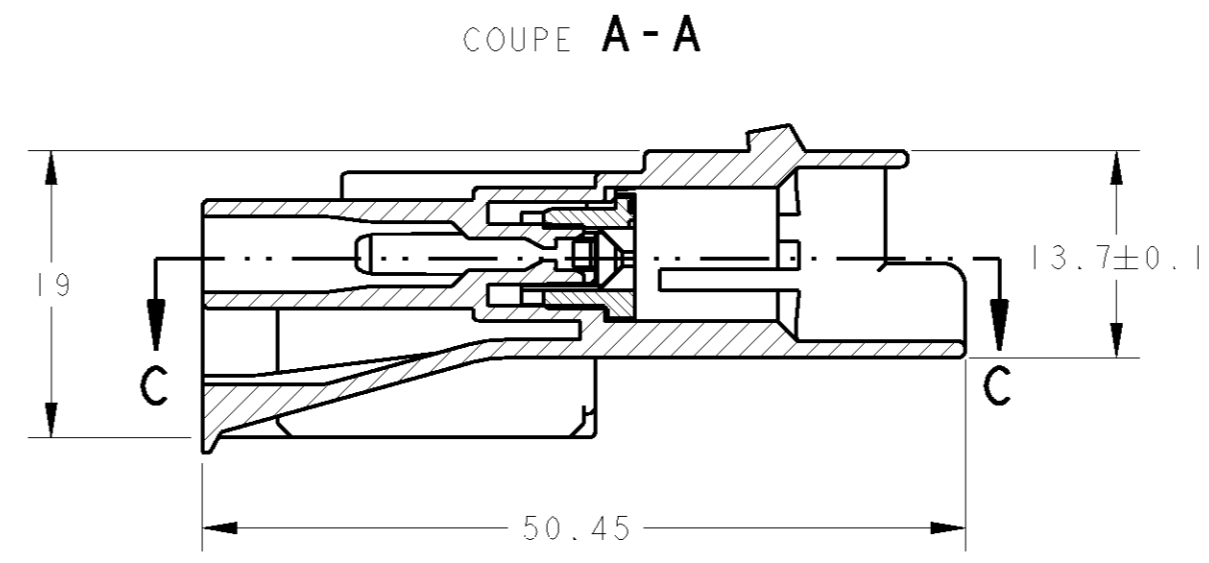
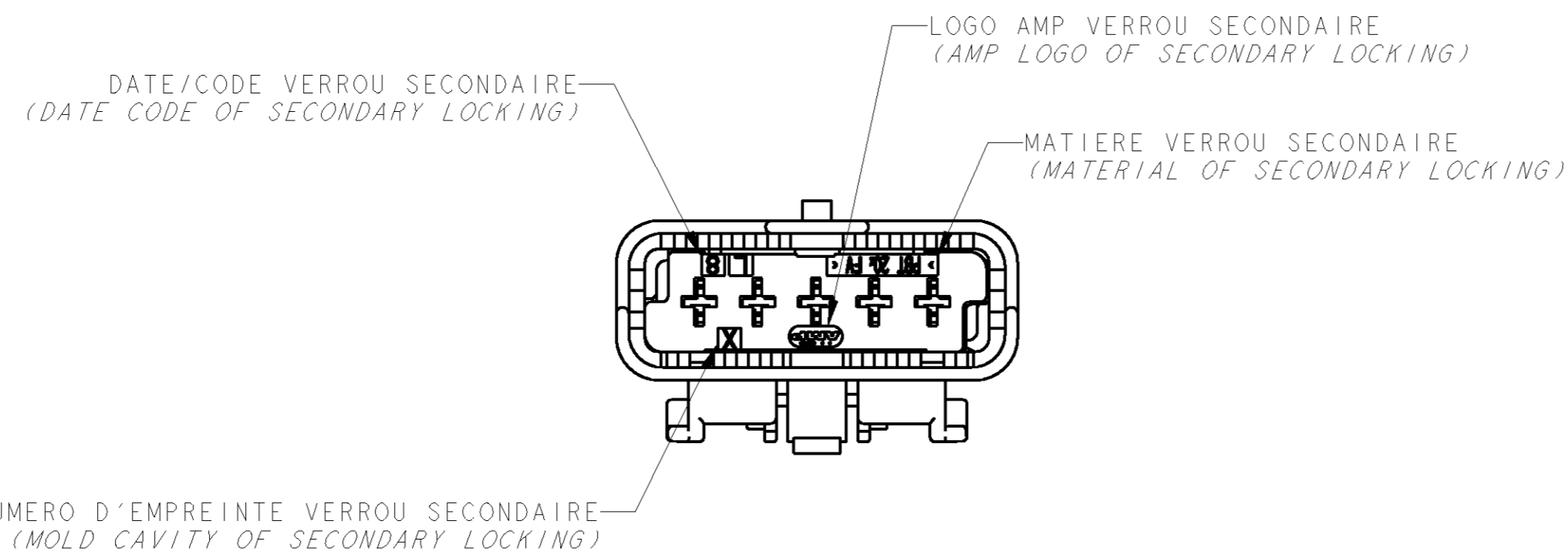
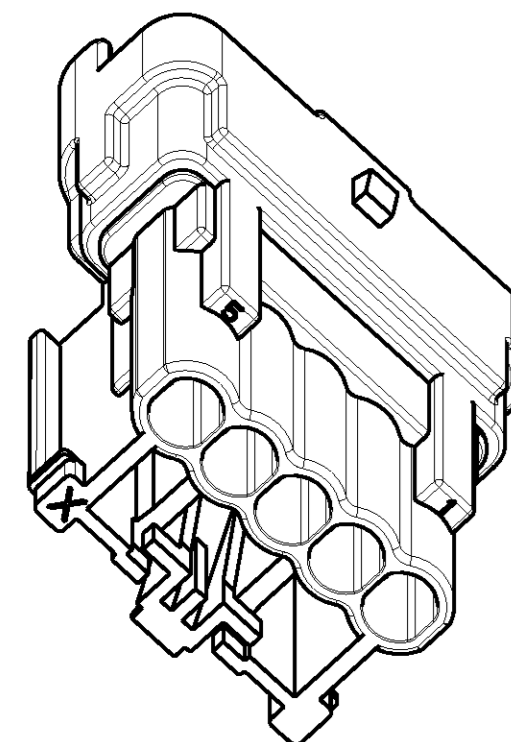
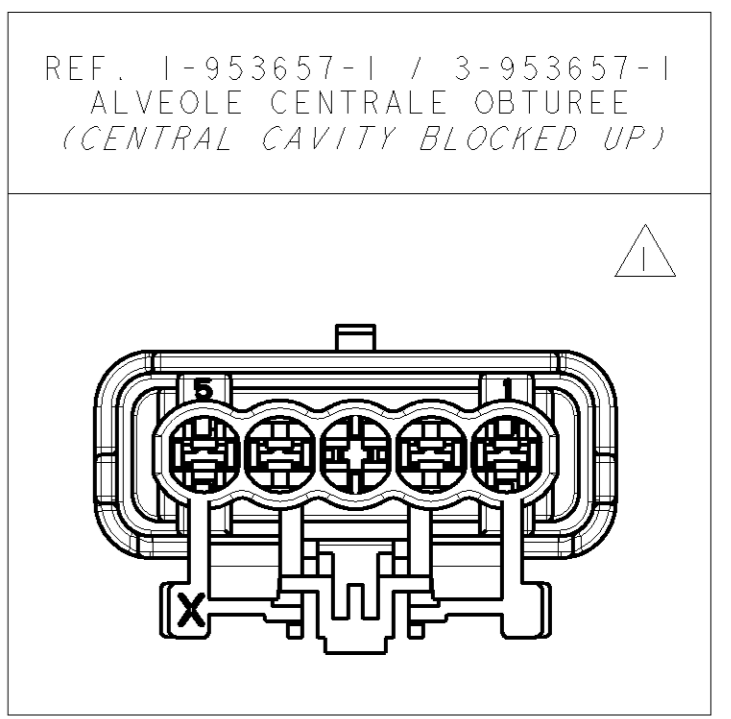


LOC		DIST		REVISIONS			
F	00	REV	DATE	DESIGNER	APPV	DATE	REV
A	-1	REPLACE PAR -4	17APR2001	JPP	JJR		
B		ADD VERSION WITHOUT RENAULT LOGO	12SEP2002	DB	JJR		
C		ADD NOTE RELATED OF CIRCUIT NUMBER	23OCT2006	DB	JJR		

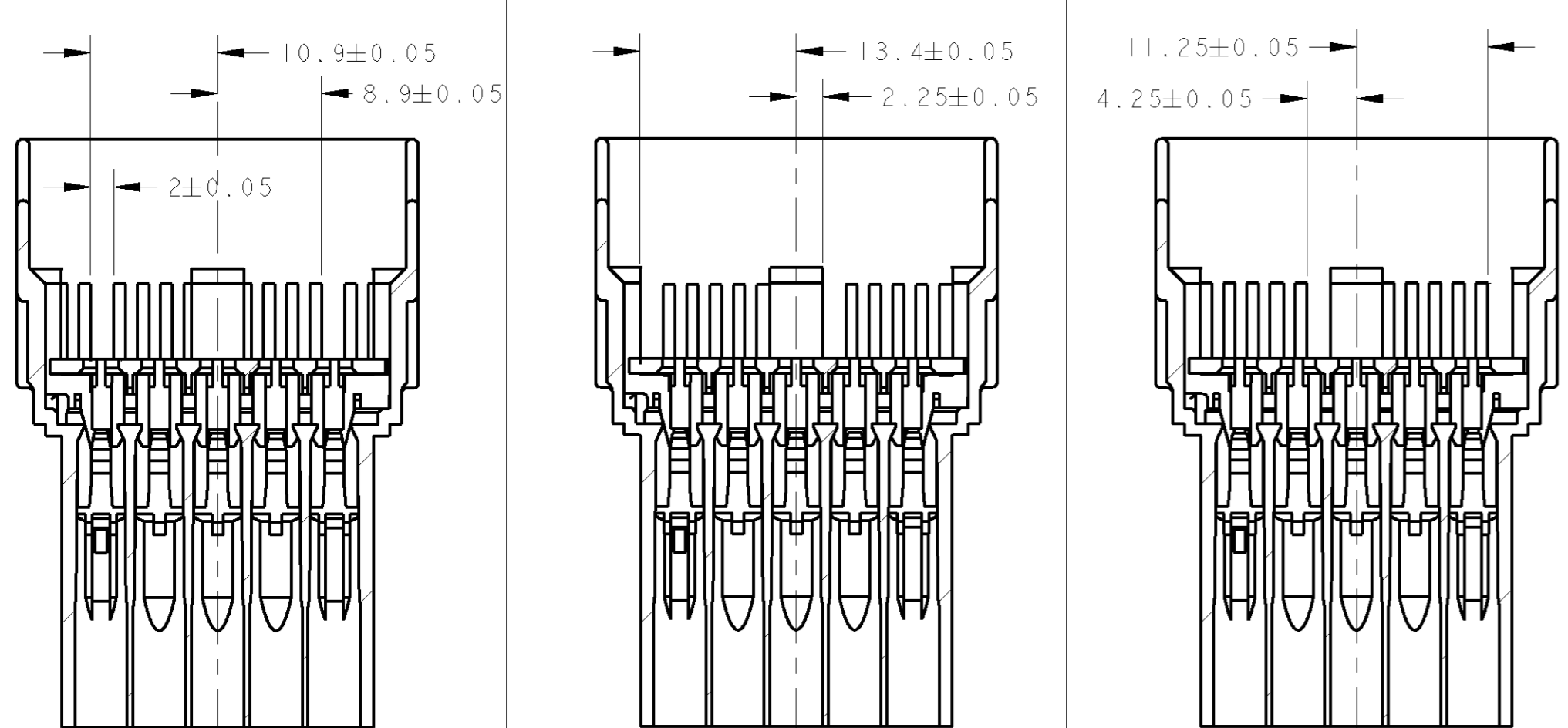
VERROU SECONDAIRE FERME (SECONDARY LOCKING ACTIVATED)



REFERENCE MONTREE : 953657-4 (PIN AS SHOWN : 953657-4)



LOGO RENAULT OPTIONNEL, VOIR TABLEAU DES REF. (OPTIONAL RENAULT LOGO, SEE REF. TABLE)



CARACTERISTIQUES MECANIKES (MECHANICAL TEST)	
EFFORT D'ACCOUPEMENT (MATING FORCE)	< 80 N
EFFORT DE DESACCOUPEMENT (UNMATING FORCE)	< 80 N
RETENTION DES CONTACTS (CONTACT RETENTION FORCE)	> 120 N
EFFORT D'INSERTION CONTACTS (CONTACT INSERTION FORCE)	< 25 N
CARACTERISTIQUES GENERALES (GENERAL USAGE CONDITIONS)	
CLASSE DE VIBRATION (VIBRATION CLASS)	1
CLASSE D'ETANCHEITE (SEALING CLASS)	2
CLASSE DE TEMPERATURE (TEMPERATURE CLASS)	2

VERSION SANS LOGO RENAULT (VERSION WITHOUT RENAULT LOGO) ⚠	VERSION AVEC LOGO RENAULT (VERSION WITH RENAULT LOGO) ⚠
1	1
1	1
1	1
1	1
1	1

REPLACE PAR -4 (SUPERSEDED BY -4)

COMPOSANTS ASSOCIES (COMPONENT ASSOCIATED)		
P/N	DESIGNATION (DESCRIPTION)	REMARKS
828922-1	BOUCHON JPT (JPT PLUG)	
/	2.8 GAMME 2 (2.8 RANGE 2)	
/	2.8 GAMME 2 (2.8 RANGE 2)	
/	2.8 GAMME 1 (2.8 RANGE 1)	
/	2.8 GAMME 1 DOREE (2.8 RANGE 1 GOLD PLATED)	
/	2.8 GAMME 1 (2.8 RANGE 1)	

COLOR	MATERIAL	DESIGNATION (DESCRIPTION)	REP. (ITEM)
JAUNE (YELLOW)	PBT 20% FV (PBT GF20%)	VERROU (SECONDARY LOCKING)	2
NOIR (BLACK)	PBT 20% FV (PBT GF20%)	BOITIER 5 VOIES (CENTRAL CAVITY BLOCKED UP)	1
GRIS (GRAY)	PBT 20% FV (PBT GF20%)	BOITIER 5 VOIES (5 WAY HOUSING)	1
BLEU (BLUE)	PBT 20% FV (PBT GF20%)	BOITIER 5 VOIES (5 WAY HOUSING)	1
NOIR (BLACK)	PBT 20% FV (PBT GF20%)	BOITIER 5 VOIES (5 WAY HOUSING)	1

CODAGE (CODING)	CODAGE (CODING)	CODAGE (CODING)	DESCRIPTION (DESCRIPTION)
0-953657-4	0-953657-2	0-953657-3	VERSION AVEC LOGO RENAULT (VERSION WITH RENAULT LOGO) ⚠
1-953657-1 ⚠	-	-	-
2-953657-1	2-953657-2	2-953657-3	VERSION SANS LOGO RENAULT (VERSION WITHOUT RENAULT LOGO) ⚠
3-953657-1 ⚠	-	-	-
NOIR / CODAGE1 (BLACK / CODING1)	BLEU / CODAGE2 (BLUE / CODING2)	GRIS / CODAGE3 (GRAY / CODING3)	COULEUR / CODAGE (COLOR / CODING)

<p>VERSION SANS LOGO RENAULT (VERSION WITHOUT RENAULT LOGO) ⚠</p> <p>VERSION AVEC LOGO RENAULT (VERSION WITH RENAULT LOGO) ⚠</p>	<p>REPLACE PAR -4 (SUPERSEDED BY -4)</p>	<p>QTE COMPOSANT (COMPONENT QTY)</p> <p>X-953657-X</p> <p>3-1-1 2-1-3 2-1-2 2-1-1 1-1-1 -4 -3 -2 -1</p>	<p>COMPOSANTS ASSOCIES (COMPONENT ASSOCIATED)</p>
<p>TYCO ELECTRONICS France SAS</p> <p>BP 39, 95301 CERGY-PONTOISE Cedex</p>		<p>CONNECTEUR 5 VOIES POUR LANGUETTES 2.8 X 0.8 mm</p>	<p>DATE: 30MAR2001</p> <p>DESIGNER: J.P. PICAUD</p> <p>APPROVED: J.P. PICAUD</p> <p>PRODUCT SPEC: 108-15221</p> <p>APPLICATION SPEC: 411-15624</p> <p>WEIGHT: 0.015kg</p>