

PROPER USE GUIDELINES

Cumulative Trauma Disorders can result from the prolonged use of manually powered hand tools. Hand tools are intended for occasional use and low volume applications. A wide selection of powered application equipment for extended-use, production operations is available.

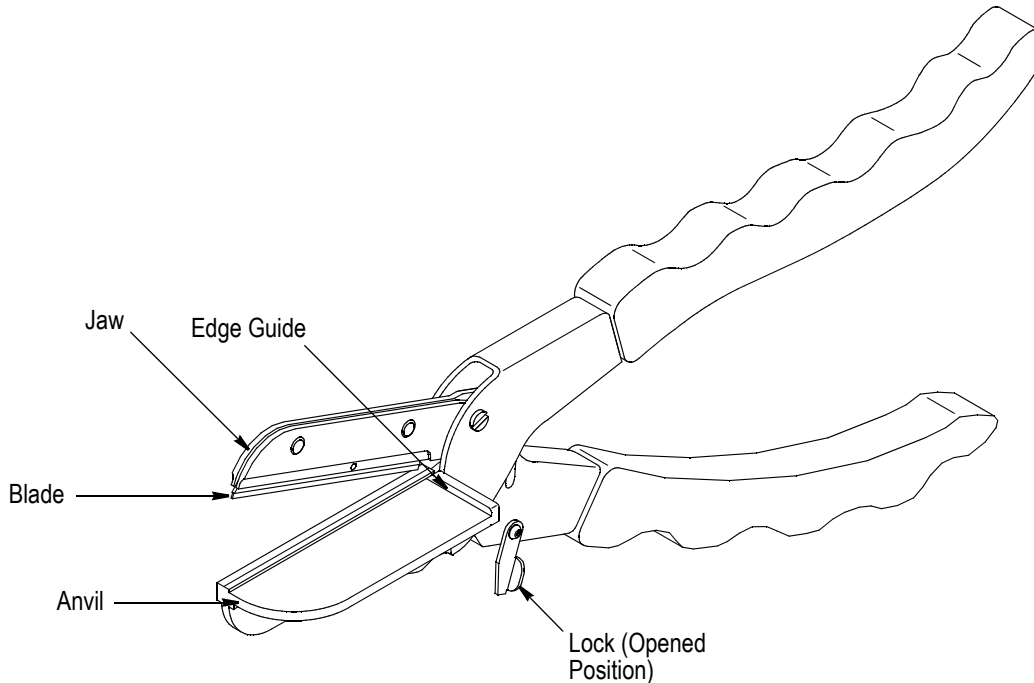


Figure 1

1. INTRODUCTION

Ribbon Cable Cutting Hand Tool 91220-1 is designed to cut across ribbon cable (with solid or stranded conductors) sizes 26 through 30 AWG at 90° to the edge of the cable. Read these instructions thoroughly before using the tool.

NOTE *Dimensions in this instruction sheet are in metric units [with U.S. customary units in brackets]. Figures are not drawn to scale.*

Reasons for reissue of this instruction sheet are provided in Section 6, REVISION SUMMARY.

2. DESCRIPTION

The tool consists of a handle with finger grips, a lock, and two jaws with a replaceable blade and a replaceable anvil. The anvil features an edge guide to properly position the cable in the tool. The lock, in the closed position, keeps the tool jaws closed when the tool is NOT in use. See Figure 1.

3. USING THE TOOL

1. Rotate the lock to the opened position until the tool jaws open fully.

2. Position the cable on the anvil with one edge of the cable against the edge guide. See Figure 2.

3. Holding the cable in place, slide the cable under the blade. Make sure that the end of the cable is at least 1.59 mm [.062 in.] beyond the blade. See Figure 2.

4. Hold the cable firmly on the anvil, and close the tool handles until the cable is cut.

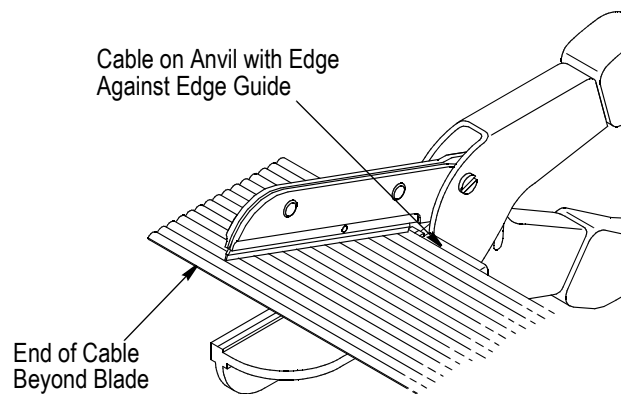


Figure 2

5. Holding the handles closed, remove the cable from the anvil.
6. When finished using the tool, close the handles, and rotate the lock into the closed position.

4. MAINTENANCE AND INSPECTION

4.1. Maintenance

The tool requires little maintenance other than to keep it clean. Remove debris and contaminants from the tool with a clean, soft, lint-free cloth or a clean, soft brush. Do not use objects that could damage the tool and do not use any solvents that could harm paint or plastic material. When not in use, store the tool in a clean, dry area.

4.2. Inspection

The tool should be inspected immediately upon arrival at your facility and at regularly-scheduled intervals thereafter to ensure that it has not been damaged. Examine the tool for any signs of damage or excessive wear during inspections. If replacement of parts is necessary, refer to Figure 3 for the list of customer-replaceable items.

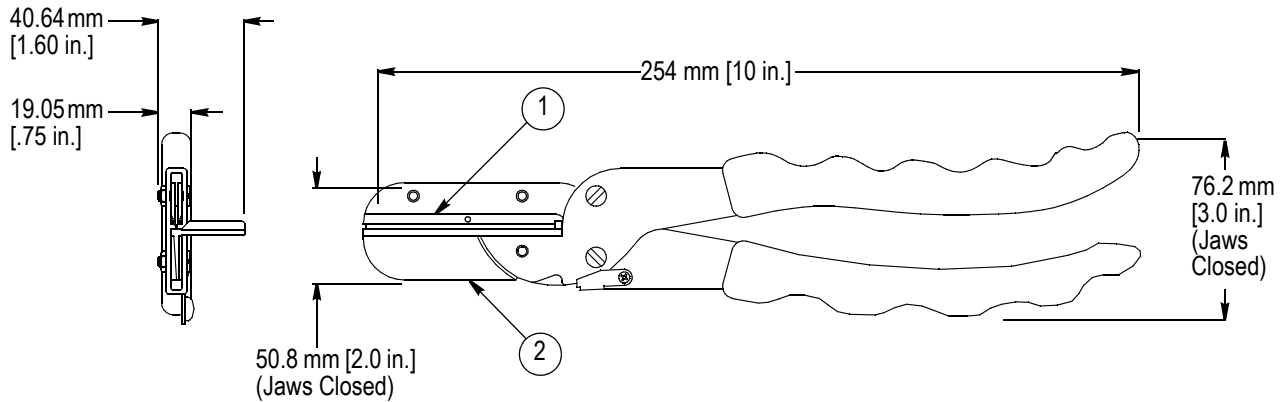
5. REPLACEMENT

The parts listed in Figure 3 are customer-replaceable. A complete inventory can be stocked and controlled to prevent lost time when replacement of parts is necessary. Order replacement parts through your Representative, or call 1-800-526-5142, or send a facsimile of your purchase order to 1-717-986-7605, or write to:

CUSTOMER SERVICE (038-035)
 TYCO ELECTRONICS CORPORATION
 PO BOX 3608
 HARRISBURG PA 17105-3608

6. REVISION SUMMARY

- Updated instruction sheet to corporate requirements



REPLACEMENT PARTS

ITEM	PART NUMBER	DESCRIPTION	QTY PER TOOL
1	606105-1	BLADE (Includes Roll Pin)	1
2	606106-1	ANVIL (Includes Screw)	1

Figure 3