

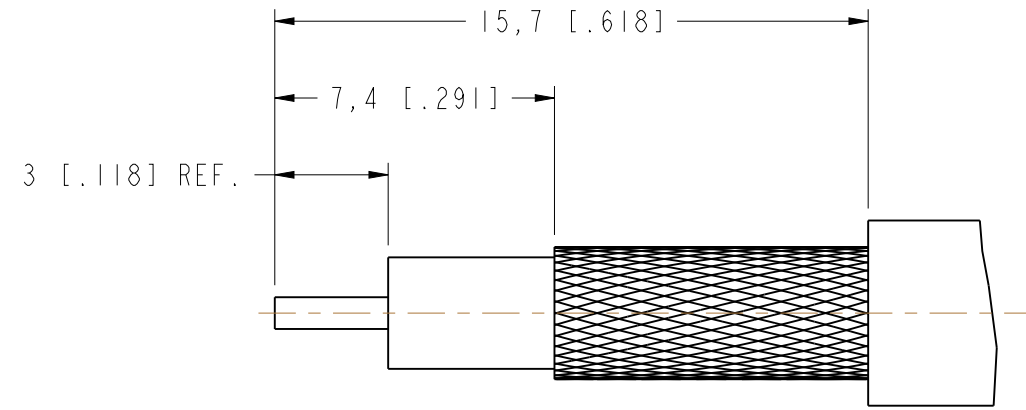
NOTES:

- MATERIALS AND FINISHES:  
 FERRULE - BRASS, NICKEL PLATING  
 BODY - BRASS, NICKEL PLATING
- CRIMPED FERRULE HEX CRIMP SIZE .213"

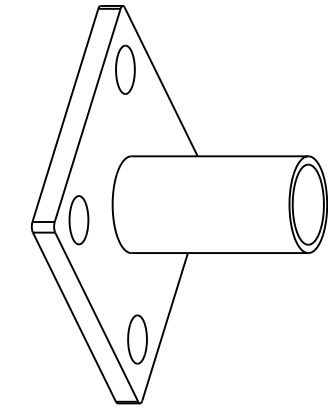
THIRD ANGLE PROJ.

REVISIONS

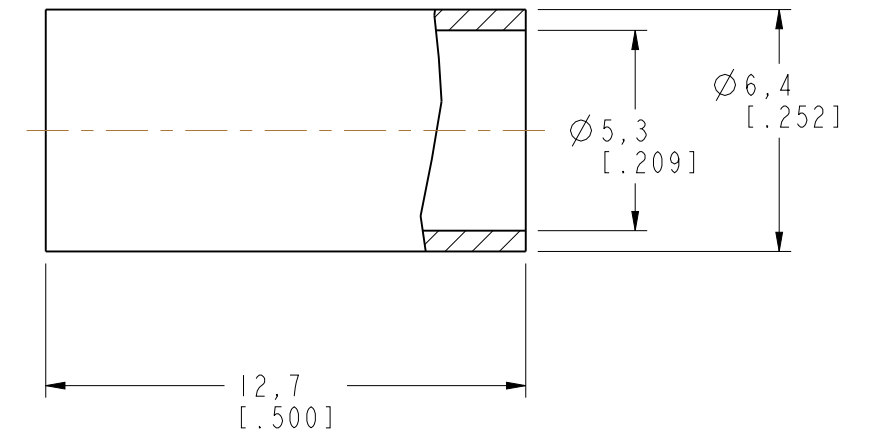
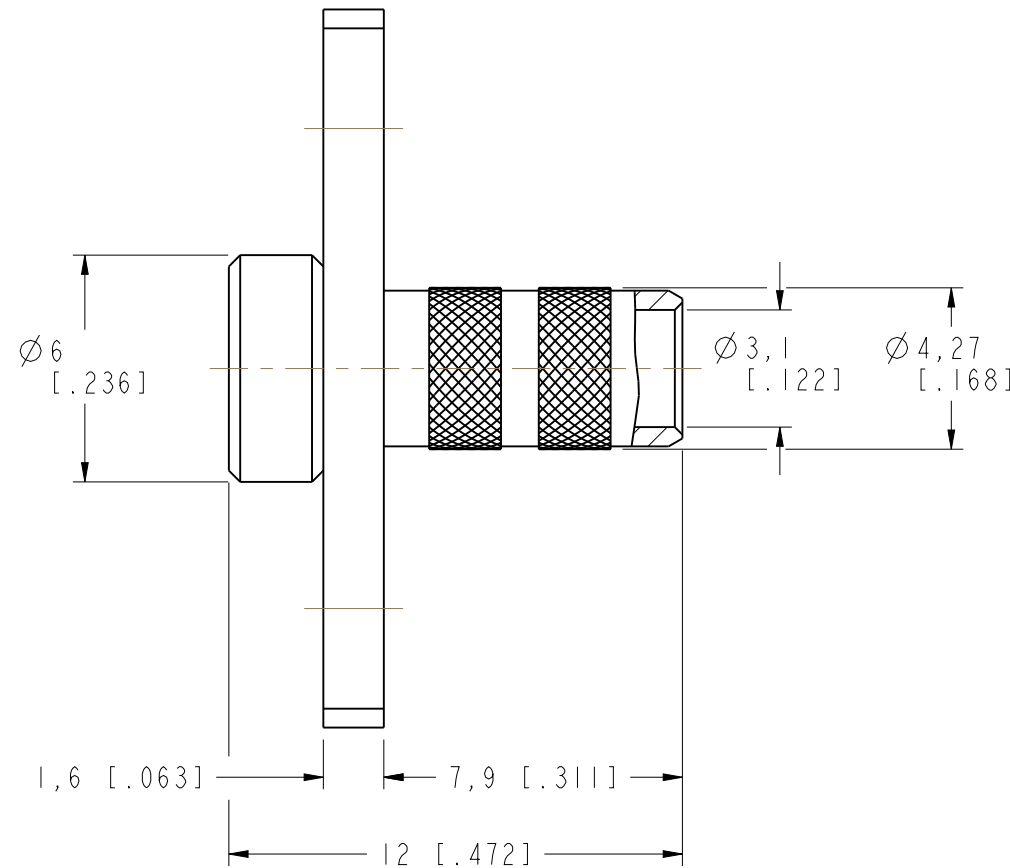
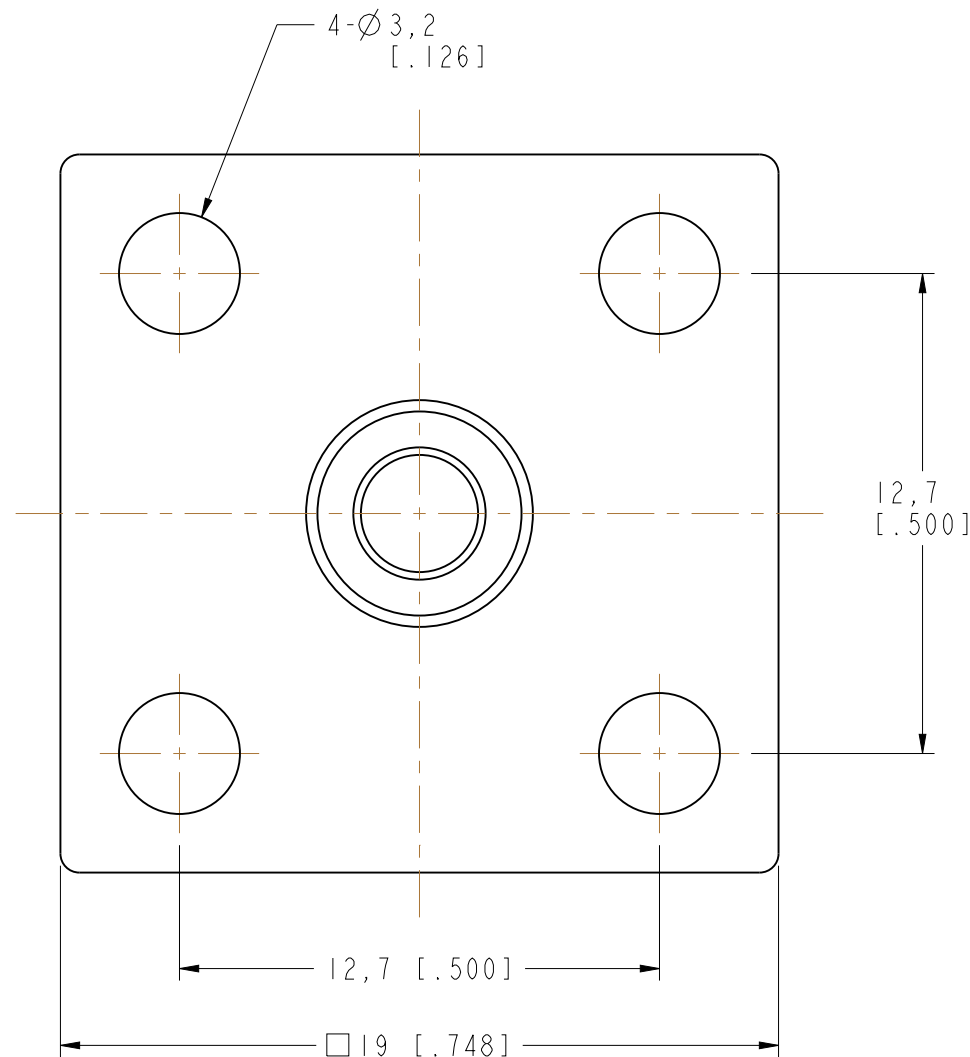
| REV | DESCRIPTION                                 | DATE      | ECO   | APPR |
|-----|---|-----------|-------|------|
| NC  | INITIAL RELEASE                             | 07-Mar-00 | ----- | GRS  |
| A   | REDRAWN IN THE PRO-E, UPDATE DRAWING FORMAT | 17-Mar-15 | 2885  | BCG  |



RECOMMENDED  
CABLE STRIPPING DIM'S



SCALE 2.000



**CUSTOMER OUTLINE DRAWING**

ALL OTHER SHEETS ARE FOR INTERNAL USE ONLY

UNLESS OTHERWISE SPECIFIED, DIMENSIONS ARE IN METRIC AND TOLERANCES ARE:  
 <0.5mm ± 0.05mm    0.5 - 6mm ± 0.1mm    6 - 30mm ± 0.2mm    30 - 120mm ± 0.3mm    ANGLES ±1°

NOTICE - These drawings, specifications, or other data (1) are, and remain the property of Amphenol corp. (2) must be returned upon request; and (3) are confidential and not to be disclosed to any person other than those to whom they are given by Amphenol Corp. the furnishing of these drawings, specifications, or other data by Amphenol Corp., or to any other person to anyone for any purpose is not to be regarded by implication or otherwise in any manner licensing, granting rights to permitting such holder or any other person to manufacture, use or sell any product, process or design, patented or otherwise, that may in any way be related to or disclosed by said drawings, specifications, or other data.

|                              |                            |                   |  |              |                    |  |
|------------------------------|----------------------------|-------------------|--|--------------|--------------------|--|
| MATERIAL                     | DRAWN<br>M. ZHANG          | DATE<br>17-Mar-15 | TITLE<br>PANEL MOUNT CABLE<br>TERMINAL (FOR RG-58<br>C/U, RG-58/U CABLE) |              | Amphenol<br>Connex |  |
| REFERENCE<br>TMN0511A2-N-58U | ENGINEER<br>S. DUAN        | DATE<br>17-Mar-15 |  |              |                    |  |
| CONFIGURATION LEVEL: In Work | APPROVED<br>B.C. GLEISSNER | DATE<br>17-Mar-15 | SCALE: 5.0:1.0   | SHEET 3 OF 3 | DRAWING NO.        |  |
| FINISH                       | CAD FILE                   |                   | DWG SIZE<br>B  | REV<br>A     | ITEM NO.           |  |
|                              |                            |                   |  |              | PART NO. 142277    |  |