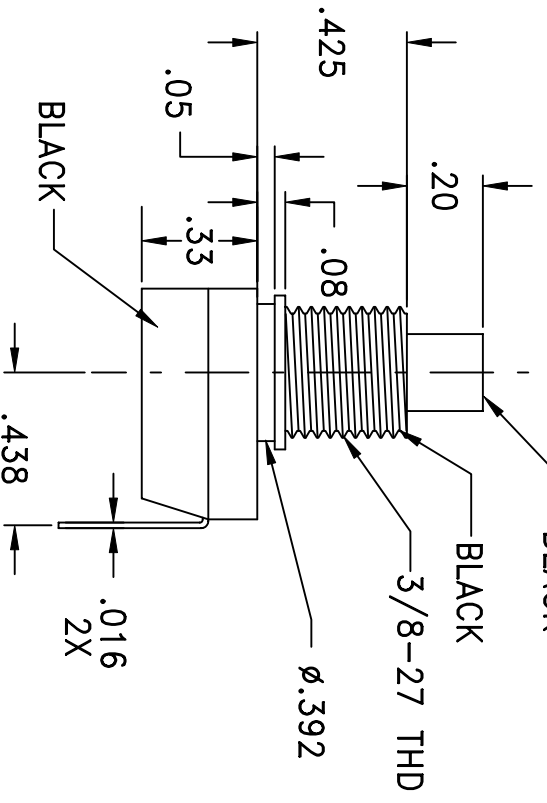
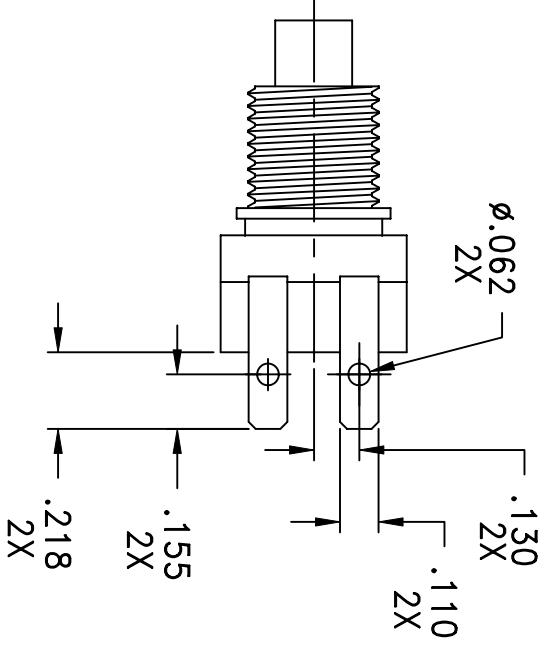
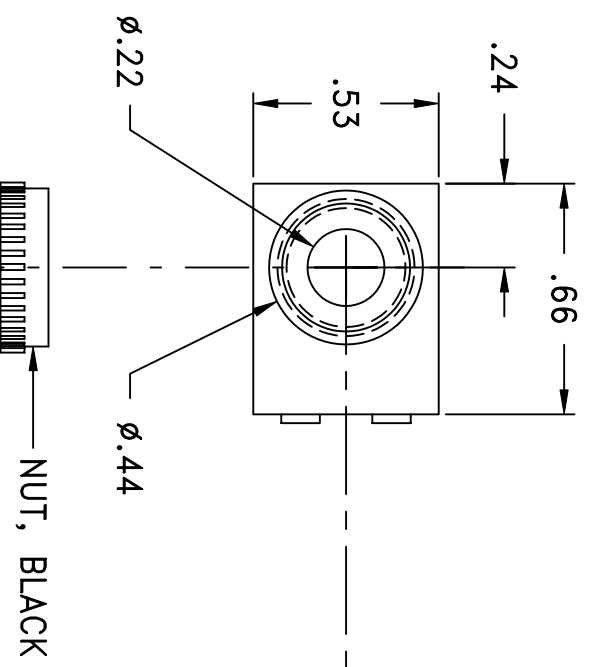


LTR	EN	DESCRIPTION	APPR	BY	DATE
A	-	INITIAL RELEASE	MT	DC	12-28-07

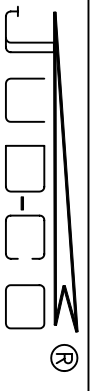


JUDCO INVENTORY NO. 40-4689-00  
 SWITCH TYPE: MOMENTARY, NORMALLY CLOSED  
 NUT INCLUDED

CUSTOMER: DIGI-KEY  
 CUSTOMER PN: TBD

APPROVED BY: \_\_\_\_\_  
 DATE: \_\_\_\_\_

DIMENSIONS IN INCHES  
 DIMENSIONS ARE REFERENCE



TITLE  
 HARBOR CITY CALIFORNIA  
 OUTLINE

DRAWN: DC 12-28-07  
 APPR: KJ 12-28-07  
 ENG'G: IS 12-28-07  
 DWG. NO. 1415-1285

1415U1285A.DWG  
 SHEET  
 1 OF 1

This document embodies a product, component, and/or design proprietary to JUDCO MANUFACTURING INC., and which is protected either as a trade secret, by U.S. Patent, or by copyright. It may not be used in any way without written express consent of JUDCO MANUFACTURING INC.