

## DETAILS

<b>Product Number</b>	CA13493_STRADA-T-DN
<b>Family</b>	Strada
<b>Type</b>	Assembly
<b>Color</b>	clear
<b>Diameter</b>	19,6 x 15,5 mm
<b>Height</b>	9,2 mm
<b>Style</b>	rectang
<b>Optic Material</b>	PMMA
<b>Holder Material</b>	
<b>Fastening</b>	pin, tape, screw
<b>Status</b>	production ready
<b>ROHS Compliant</b>	Yes
<b>Date Updated</b>	25/09/2013

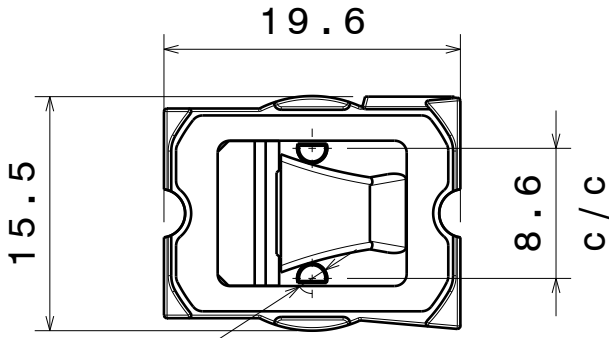


## OPTICAL PROPERTIES

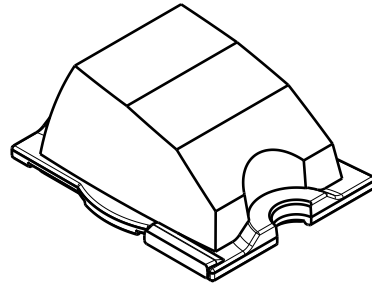
LED	Viewing Angle	Light Beam	Efficiency	cd/lm	Connector
XT-E	Asymmetric deg	Streetligh...	90 %	0.500	-
XP-G2	sim: Asymmetric	Streetligh...	sim: 87 %	0.500	-
Fortimo FastFlex LED board 2x8/757 DS	Asymmetric deg	Streetligh...	90 %	0.540	-

D C B A

4

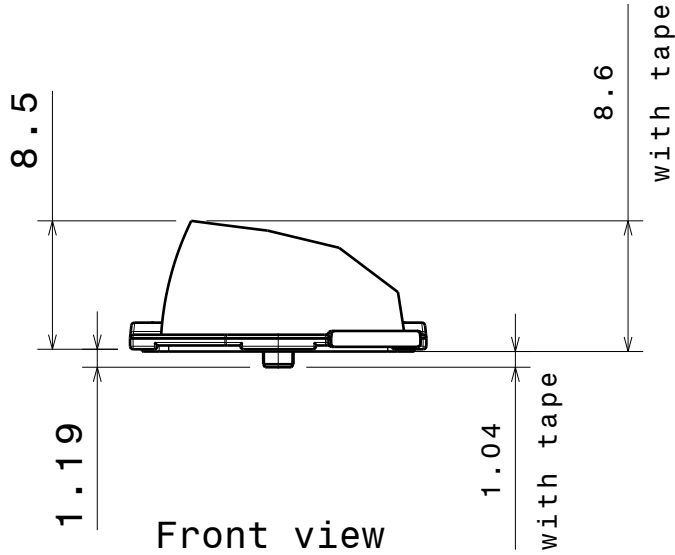


Bottom view



Isometric view

3



Front view

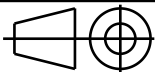
2

2

Tolerances if not otherwise shown  
According to DIN ISO 2768-1  
Linear measures:  
Up to 30mm class M, otherwise class C.  
According to DIN ISO 2768-2  
Form and position: class L

**LEDiL** LediL Oy  
Salorankatu 10  
FIN 24240 SALO  
Finland

THIRD ANGLE PROJECTION:



DRAWING TITLE

**STRADA - T - DN**

This drawing is the property of LEDiL Oy. It may not be reproduced, copied or communicated without a written agreement with LEDiL Oy."

SIZE	PART NUMBER
A4	-

SCALE	2:1	WEIGHT	-	SHEET	1/1
-------	-----	--------	---	-------	-----

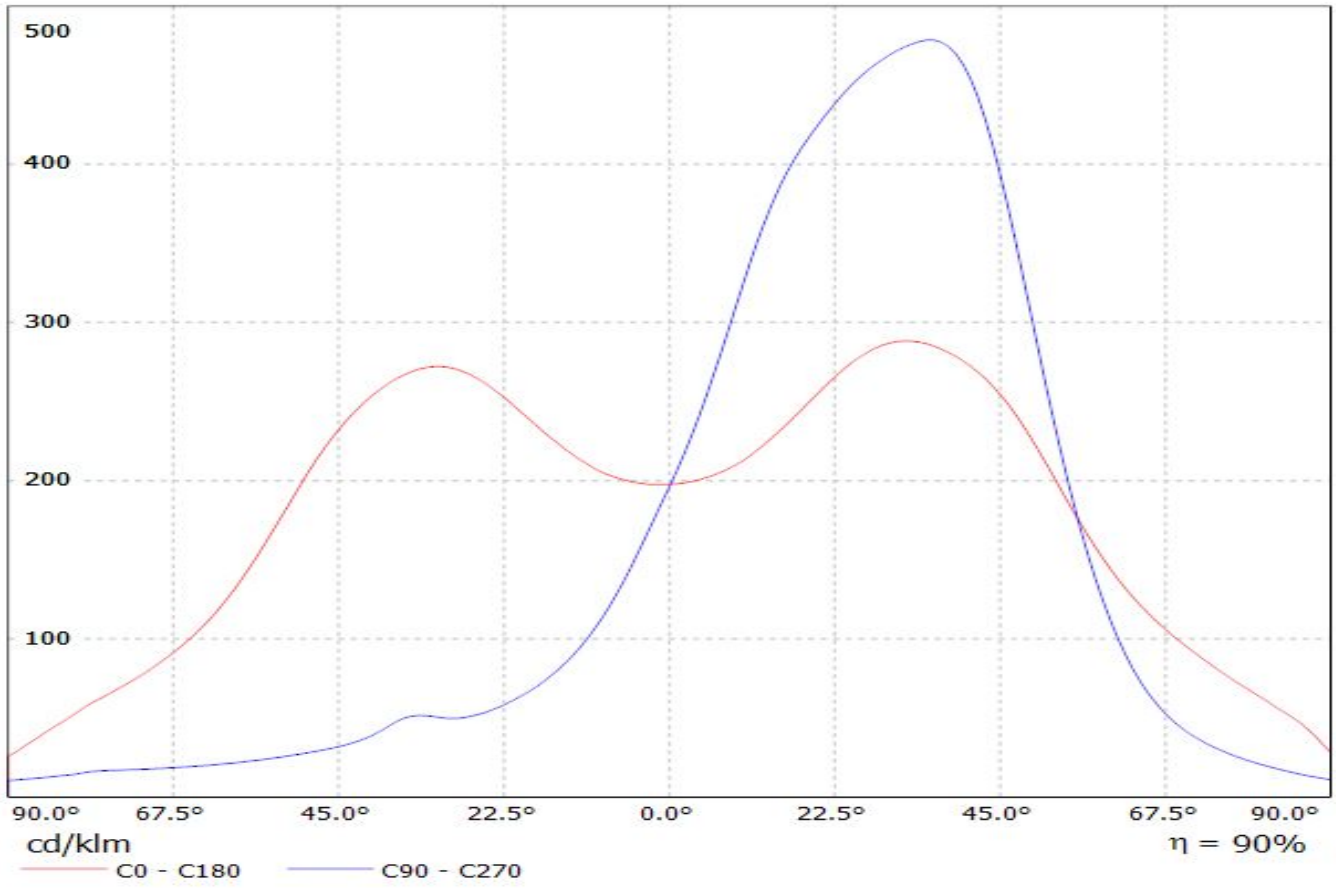
1

1

D

A

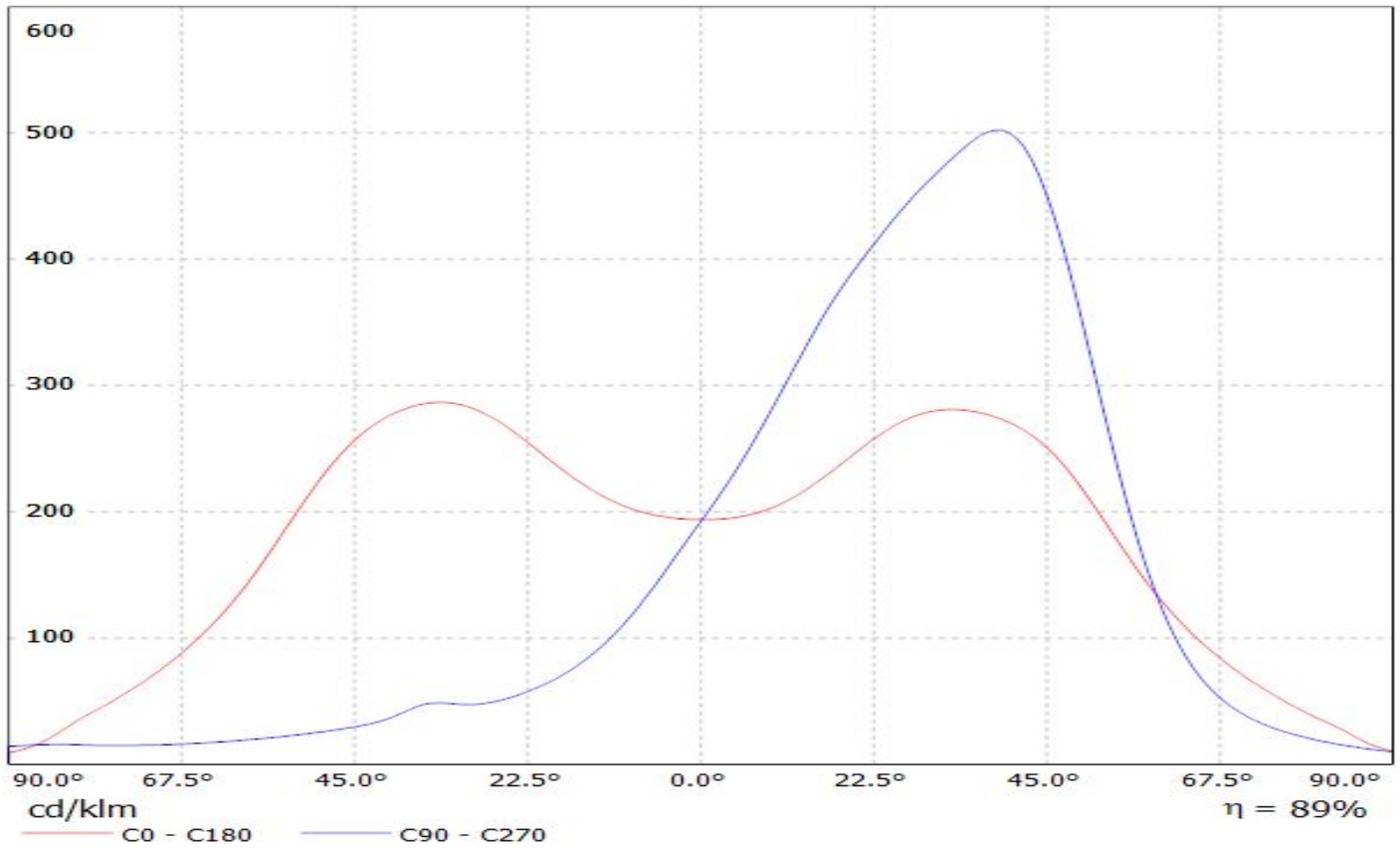
Luminaire: LEDiL Oy CA13493\_STRADA-T-DN\_(XT-E) Eff. 90%  
Lamps: 1 x Cree\_(XT-E) 104lm@250mA CCT=4400K P=1W I=250mA



# LEDiL Oy C13492/CA13493\_STRADA-T-DN\_(XP-G2) Eff.89.0% / LDC (Linear)

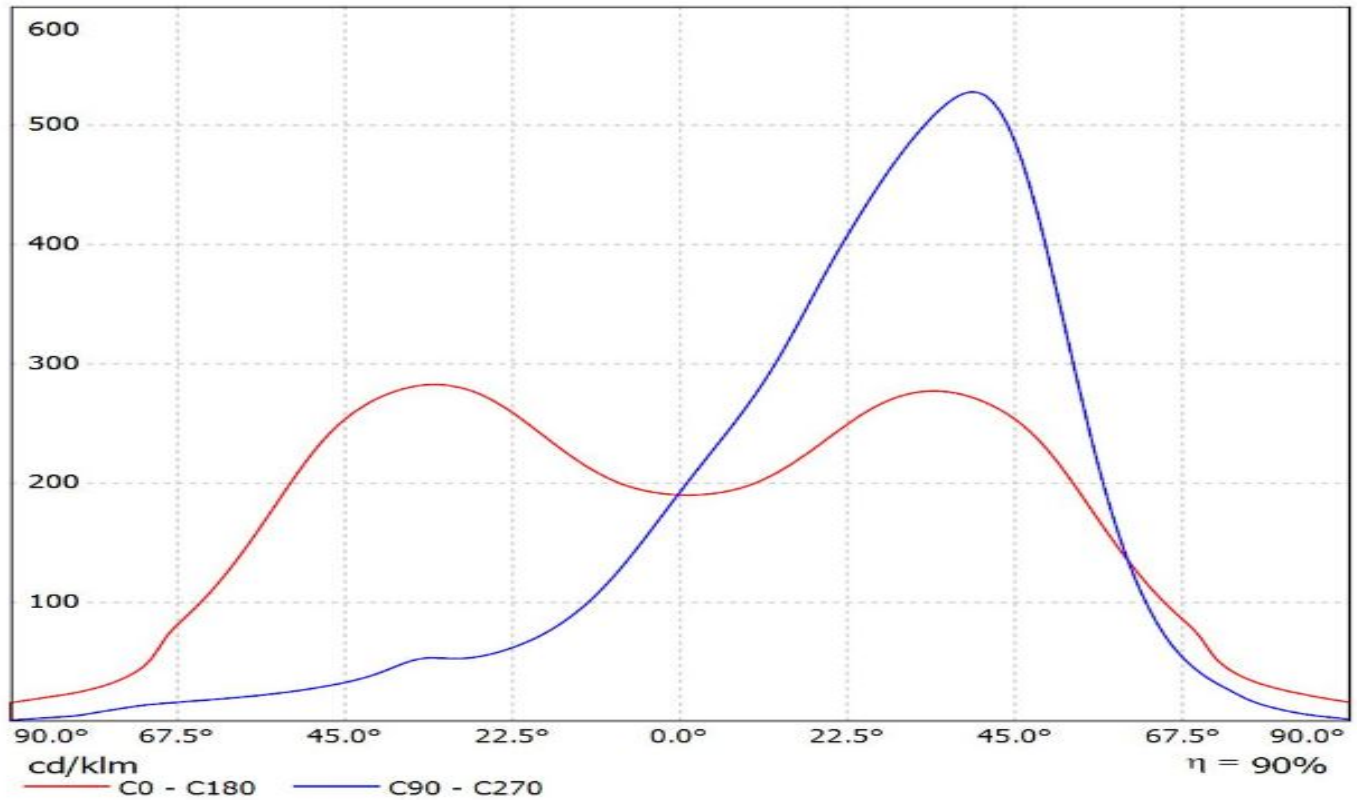
Luminaire: LEDiL Oy C13492/CA13493\_STRADA-T-DN\_(XP-G2) Eff.89.0%

Lamps: 1 x CREE\_XP-G2\_103.642lm@250mA\_CCT=6596K\_P=0.762395W\_I=249.9mA

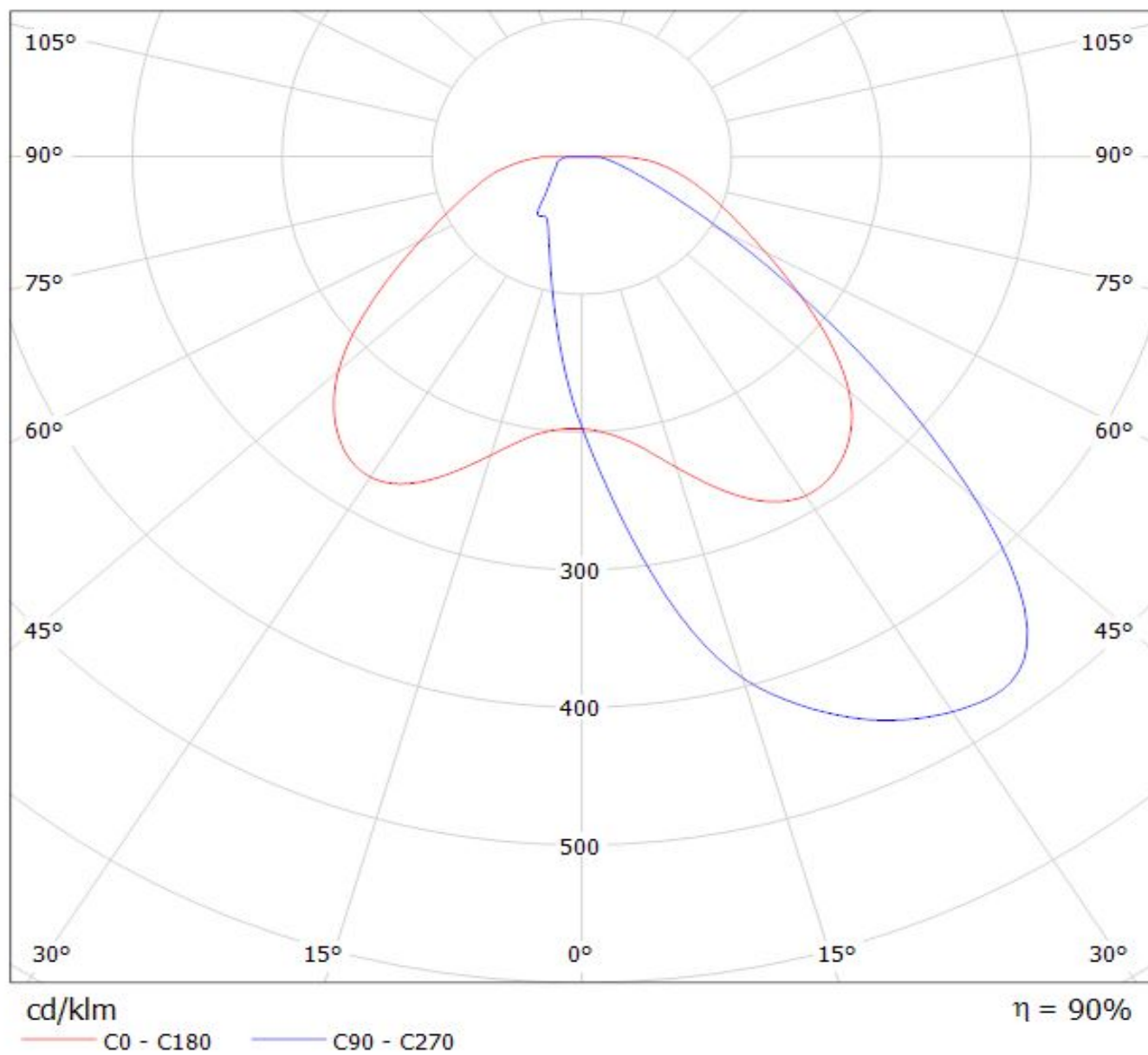


**Ledil CA13493\_STRADA-T-DN\_(Fortimo\_FastFlex\_LED\_board 2x8-757\_DS\_G3) / LDC (Linear)**

Luminaire: Ledil CA13493\_STRADA-T-DN\_(Fortimo\_FastFlex\_LED\_board 2x8-757\_DS\_G3)  
Lamps: 1 x Philips\_Fortimo\_FastFlex\_LED\_board 2x8/757\_DS\_G3\_(XP-G2)  
\_3428.78lm@500mA\_P=23.7W\_I=0.5A



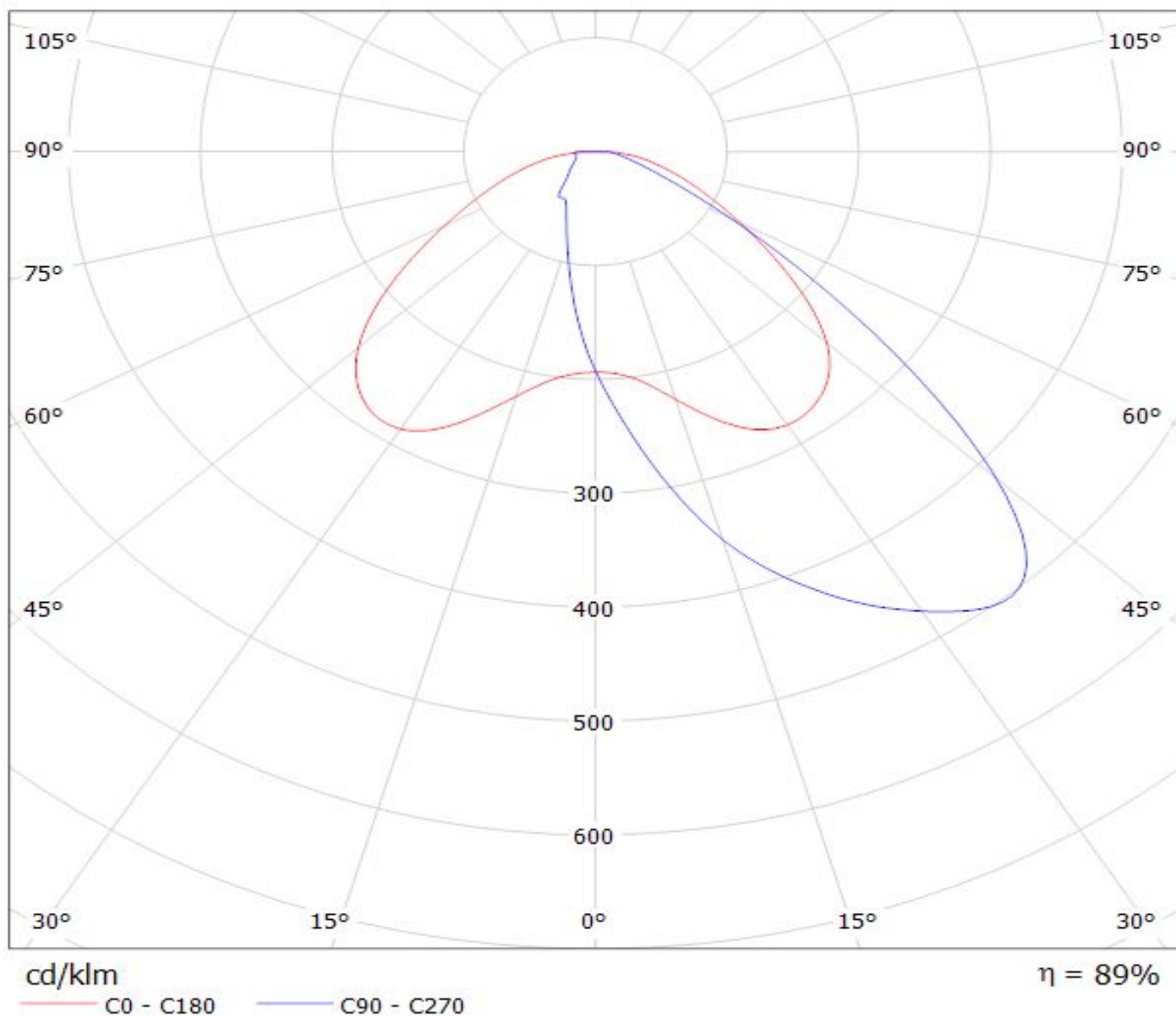
Luminaire: LEDiL Oy CA13493\_STRADA-T-DN\_(XT-E) Eff. 90%  
Lamps: 1 x Cree\_(XT-E) 104lm@250mA CCT=4400K P=1W I=250mA



# LEDiL Oy C13492/CA13493\_STRADA-T-DN\_(XP-G2) Eff.89.0% / LDC (Polar)

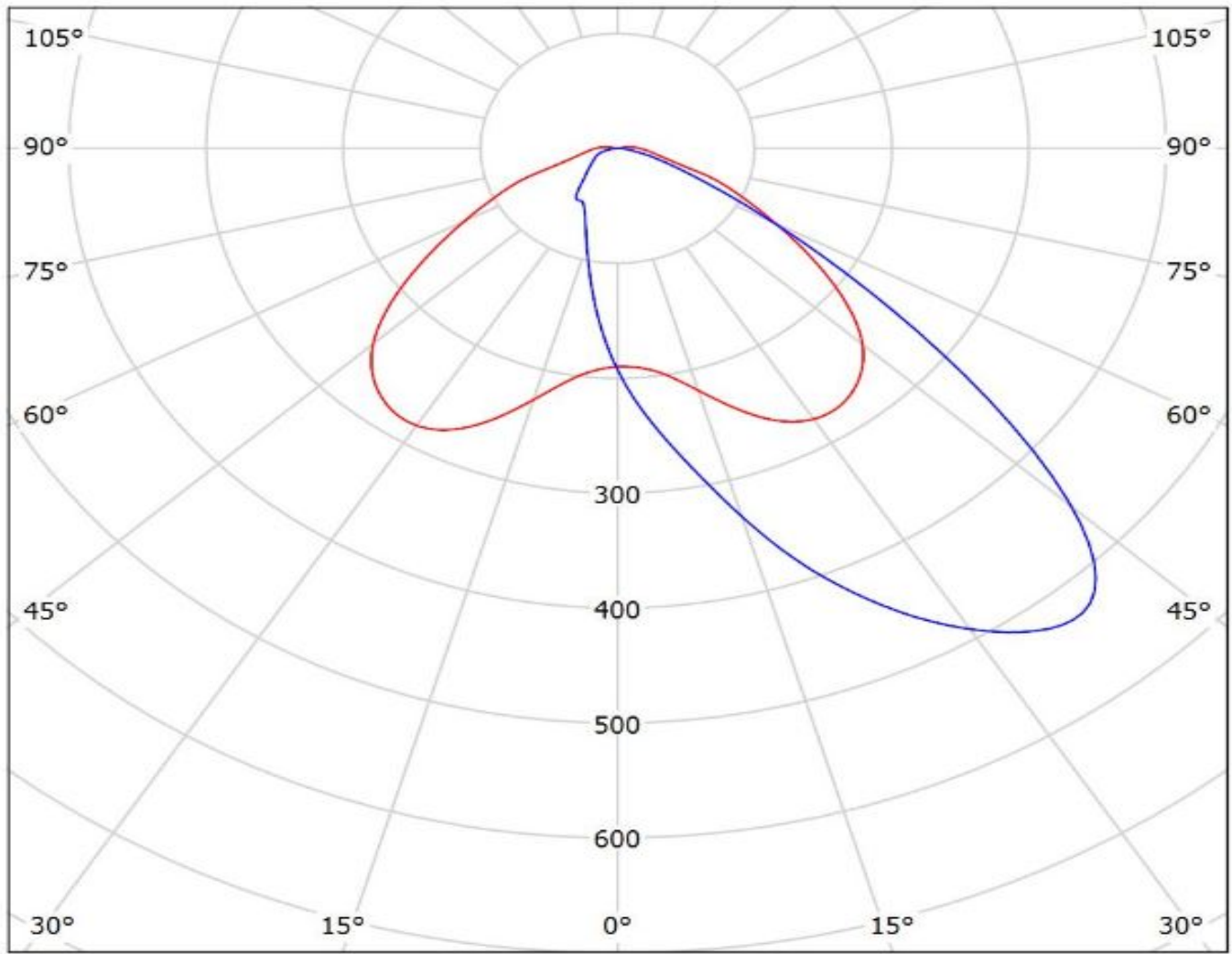
Luminaire: LEDiL Oy C13492/CA13493\_STRADA-T-DN\_(XP-G2) Eff.89.0%

Lamps: 1 x CREE\_XP-G2\_103.642lm@250mA\_CCT=6596K\_P=0.762395W\_I=249.9mA



**Ledil CA13493\_STRADA-T-DN\_(Fortimo\_FastFlex\_LED\_board 2x8-757\_DS\_G3) /  
LDC (Polar)**

Luminaire: Ledil CA13493\_STRADA-T-DN\_(Fortimo\_FastFlex\_LED\_board 2x8-757\_DS\_G3)  
Lamps: 1 x Philips\_Fortimo\_FastFlex\_LED\_board 2x8/757\_DS\_G3\_(XP-G2)  
\_3428.78lm@500mA\_P=23.7W\_I=0.5A



cd/klm

— C0 - C180 — C90 - C270

$\eta = 90\%$



**NOTE: The typical divergence will be changed by different color, chip size and chip position tolerance. The typical total divergence is the full angle measured where the luminous intensity is half of the peak value.**