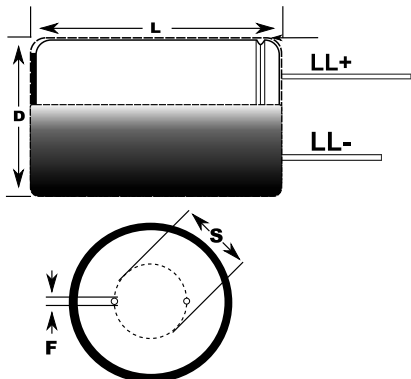


KEMET Part Number: ESH106M063AC3AA
(SH106M063AC3AAPLP)

Capacitor, aluminum, 10 uF, +/-20% Tol, -40/+105C, 63VDC@105° C



Dimensions (mm)		
Symbol	Dimension	Tolerance
D	5	+/-0.5
L	11	+1.5
S	2	+/-0.5
LLPos	20	MIN
LLNeg	15	MIN
F	0.5	

Packaging Specifications	
Package Kind:	Bulk
Package Quantity:	10000

General Information	
Supplier:	KEMET
Part Type Description:	Radial Cylindrical Aluminum Electrolytic
Style:	Radial Cylindrical
Lead Type:	Straight

Specifications	
Capacitance:	10 uF
Tolerance:	+/-20%
Rated Temperature:	105° C
Voltage @ rated temp:	63VDC
VDC Surge:	79VDC
Life @ rated temp:	2000 Hrs
RoHS:	Yes
Temperature Range:	-40/+105C
Leakage Condition:	2min/20c
Dissipation Factor:	10%
Ripple 120Hz @ rated temp:	0.055 A