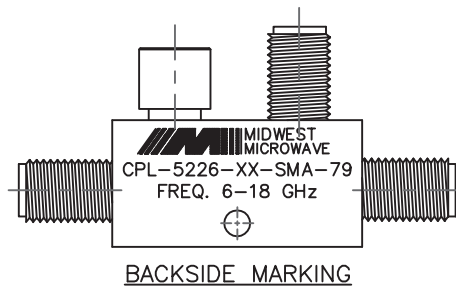
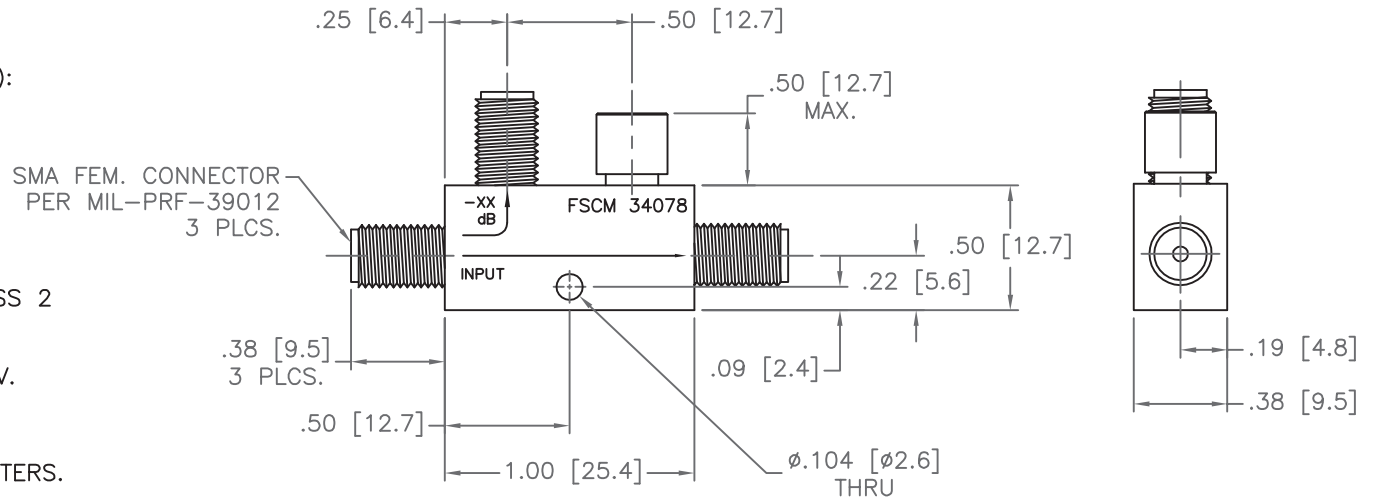


**NOTES:**

- 1.0 ELECTRICAL SPECIFICATIONS:
  - 1.1 FREQUENCY RANGE; 6.0 TO 18 GHz
  - 1.2 FREQ. SENSITIVITY:  $\pm 0.50$ dB
  - 1.3 COUPLING: SEE TABLE
  - 1.4 VSWR: 1.40:1 MAX
  - 1.5 INSERTION LOSS (EXC. COUPLED POWER): 0.60dB
  - 1.6 DIRECTIVITY: 15dB MIN.
  - 1.7 POWER:
    - AVG.: 50 WATTS
    - PEAK: 3 KILOWATT
  - 1.8 RF IMPEDANCE : 50 OHMS
- 2.0 FINISHING:
  - 2.1 GRAY OVER MIL-E-15090 TYPE II, CLASS 2 OVER MIL-F-5541 CLASS 3A MEETS MIL-E-14072 MEETS MIL-E-5400 AND MIL-E-16400V.
  - 2.2 MARK UNIT AS SHOWN. REF.: SLK-09341-82-[24 THRU 27]
- 3.0 DIMENSIONS IN BRACKETS ARE IN MILLIMETERS.
- 4.0 WEIGHT: 0.60 Oz. (17.0 GRAMS).




CPL- 5226-20 -SMA-79	20dB
CPL- 5226-16 -SMA-79	16dB
CPL- 5226-10 -SMA-79	10dB
CPL- 5226-06 -SMA-79	6dB
CPL- 5226-XX-SMA-79	-XX $\pm 1.0$ dB COUPLING

**MODEL NUMBER**  
 CPL-5226-XX-SMA-79

REV.	DESCRIPTION	DATE
-	RELEASED	4/21/92
A	ECN 21413	6/21/07

**NOTICE:** The information contained in this drawing is proprietary and must not be used without the permission of Cinch Connectivity Solutions.

UNLESS OTHERWISE NOTED DIMENSIONS ARE IN INCHES AND TOLERANCES ARE:  
 3 PLACE DECIMALS  $\pm .005$   
 2 PLACE DECIMALS  $\pm .02$   
 FRACTIONS  $\pm 1/64$   
 PARALLELITY: T.I.R. \_\_\_\_\_  
 FLATNESS: T.I.R. \_\_\_\_\_  
 CONCENTRICITY: T.I.R. \_\_\_\_\_  
 ANGLES AND PERPENDICULARITY:  $\pm 1'$

CAGE CODE <b>34078</b>		<b>MIDWEST MICROWAVE</b>	
		TITLE DIRECTIONAL COUPLER OUTLINE DRAWING	
		DRAWN/DATE A. BEATTY 4/7/92	ENG./DATE P. GOODMAN 4/17/92
CHECKED/DATE A. OSGA 4/7/92	APPROVED/DATE K. ATOTIE 6/21/07	SCALE: 2:1	SHEET 1 of 1