

DETAILS

Product Number	C12287_ANGIE-M2
Family	Angie
Type	Lens array
Color	clear
Diameter	34 mm
Height	10,7 mm
Style	round
Optic Material	PMMA
Holder Material	
Fastening	pin, glue
Status	production ready
ROHS Compliant	Yes
Date Updated	10/12/2014



OPTICAL PROPERTIES

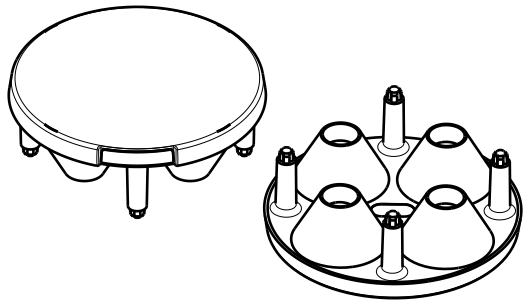
LED	Viewing	Light	Effi-		Connector
	Angle	Beam	ciency	cd/lm	
XP-G	31 deg	M2-class	89 %	2.370	-
XP-E	31 deg	M2-class	91 %	2.370	-
XP-L	sim: 28	M2-class	sim: 90 %	sim: 2.500	-
LUXEON T	27 deg	M2-class	88 %	2.900	-
LUXEON H50-2	sim: 26	M2-class	sim: 93 %	sim: 3.700	-
LUXEON TX	26 deg	M2-class	88 %	3.300	-
NVSxx19B/NVSxx19C	sim: 28	M2-class	sim: 92 %	sim: 3.110	-
Oslon Square EC	24 deg	M2-class	86 %	3.300	-
Oslon SSL 150	25 deg	M2-class	90 %	3.700	-
Oslon SSL 80	20 deg	M2-class	86 %	4.600	-
Z5M1/Z5M2	sim: 24	M2-class	sim: 92 %	sim: 4.330	-

D

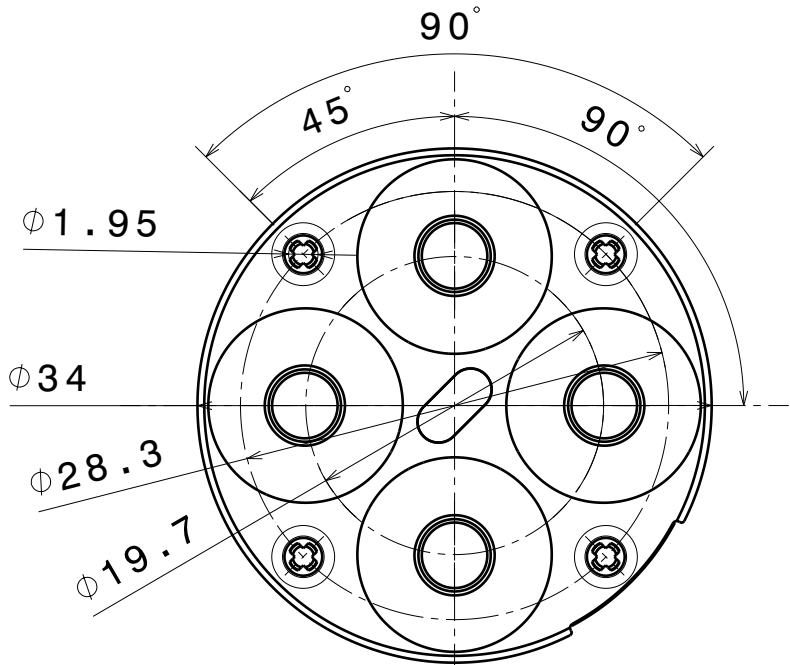
C

B

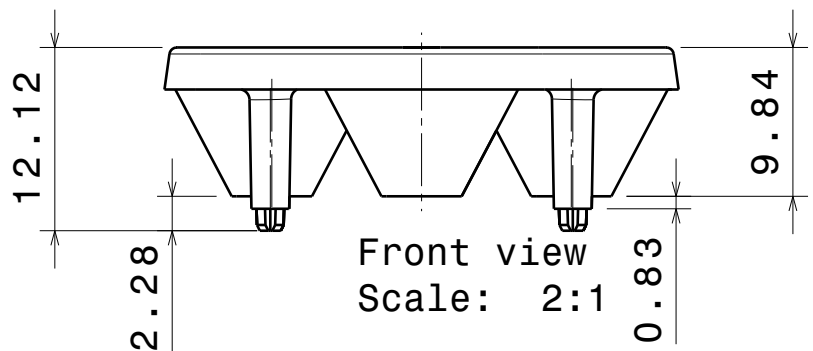
A



Isometric view
Scale: 1:1



Bottom view
Scale: 2:1



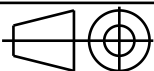
Front view
Scale: 2:1

Tolerances if not otherwise shown
According to DIN ISO 2768-1
Linear measures:
Up to 30mm class M, otherwise class C.
According to DIN ISO 2768-2
Form and position: class L

LEDiL

Ledil Oy
Salorankatu 10
FIN 24240 SALO
Finland

THIRD ANGLE PROJECTION:



DRAWING TITLE

C12287_ANGIE-M2

This drawing is the property
of LEDiL Oy. It may not be
reproduced, copied or
communicated without a written
agreement with LEDiL Oy."

SIZE PART NUMBER

A4

C12287

SCALE 2:1 WEIGHT -

SHEET 1/1

D

A

4

4

3

3

2

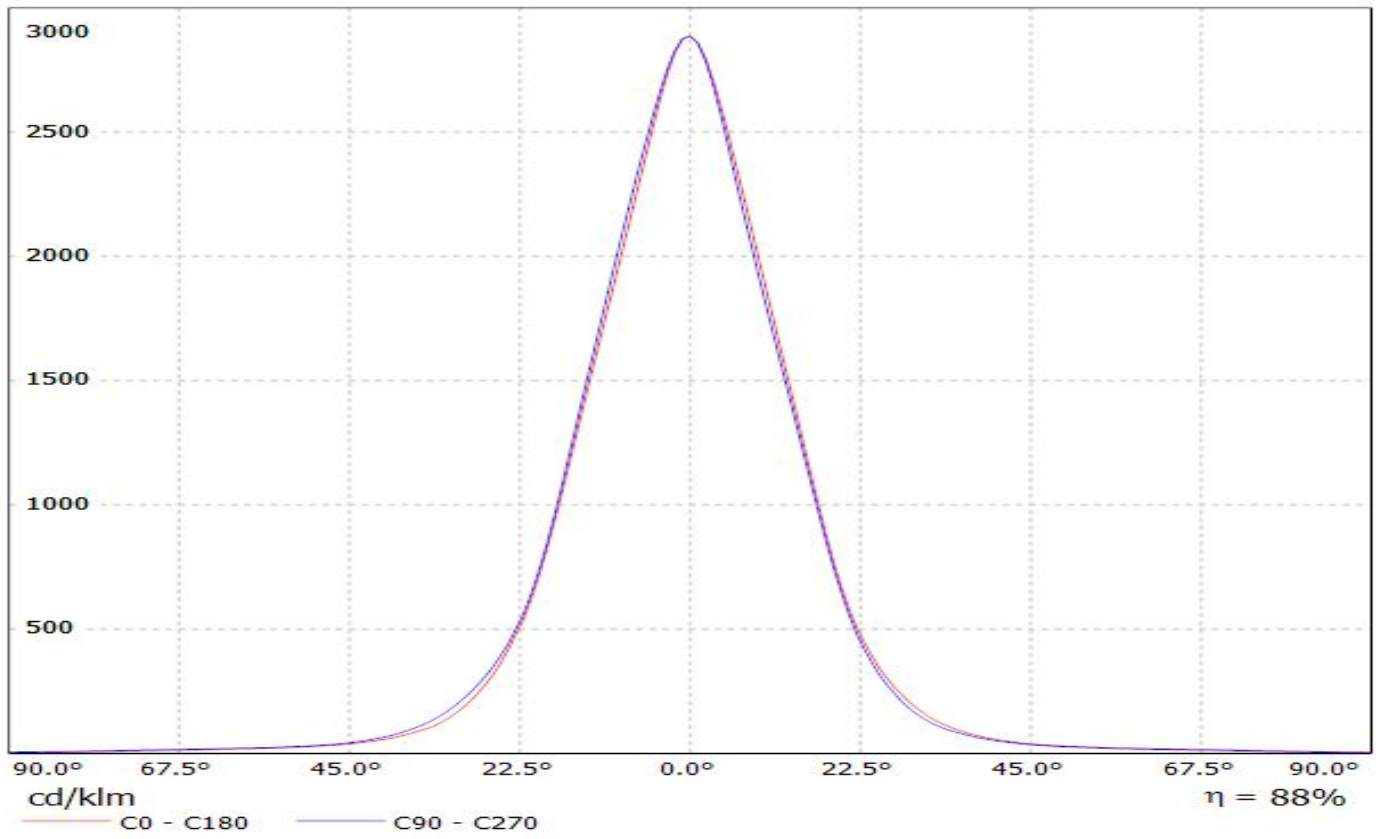
2

1

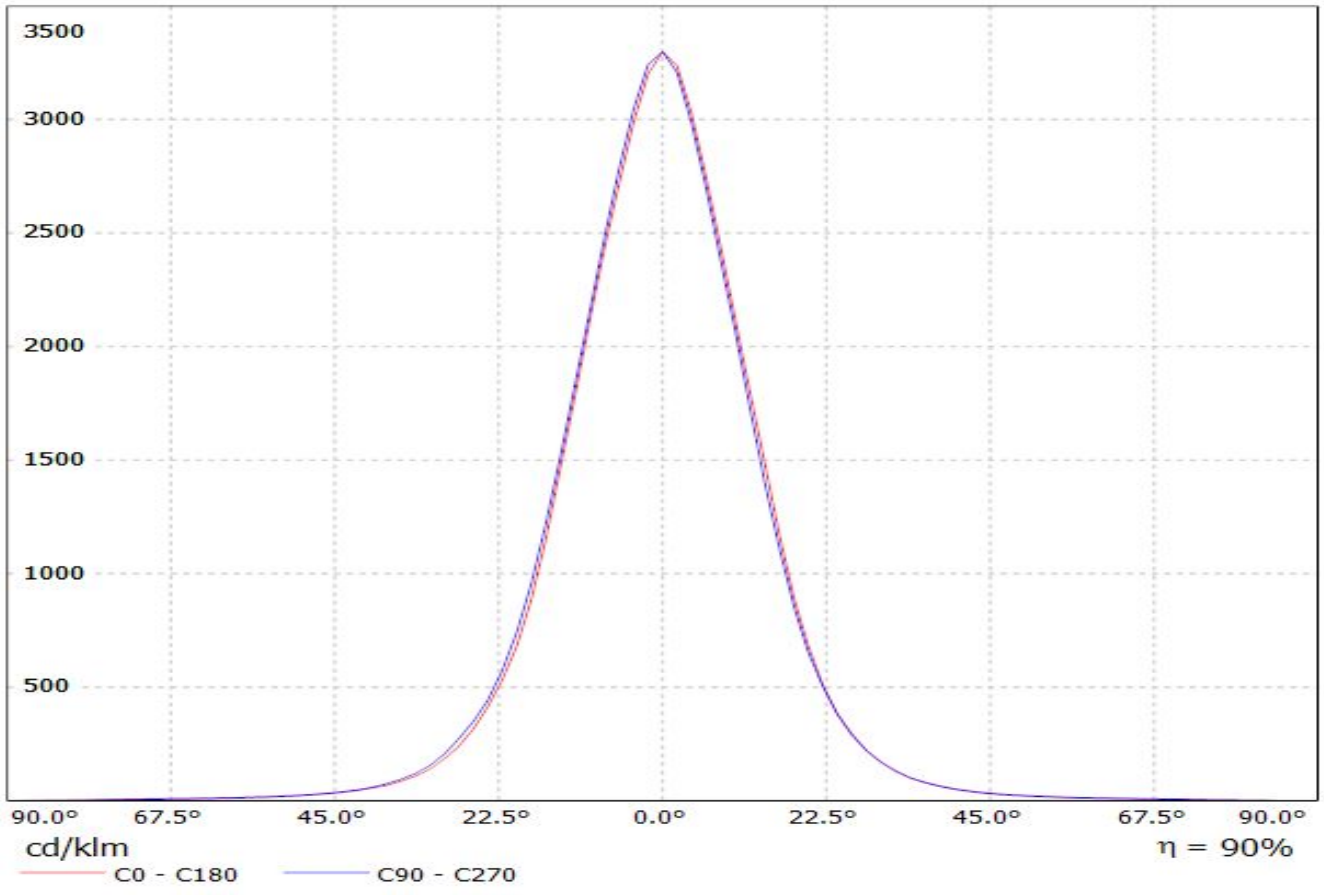
1

LEDiL Oy C12287_ANGIE-M2_(LUXEON_T)_3 Eff.88.4% / LDC (Linear)

Luminaire: LEDiL Oy C12287_ANGIE-M2_(LUXEON_T)_3 Eff.88.4%
Lamps: 1 x LUXEON_T (292lm@250mA)

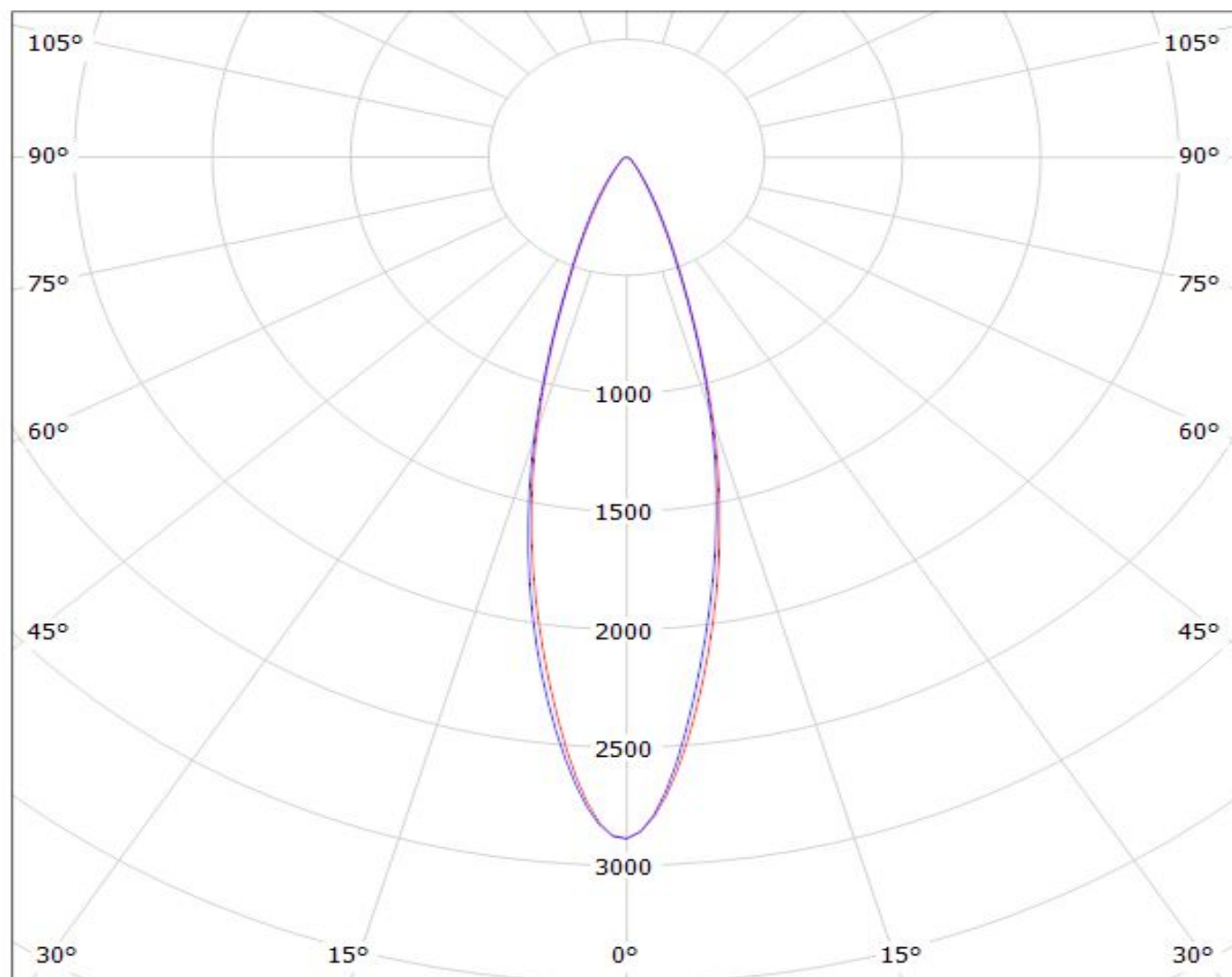


Luminaire: Ledil Oy C12287_ANGIE-M2_(LUXEON_TX)
Lamps: 1 x Luxeon TX 318lm @ 250mA CCT= P=2.78W I=250mA



LEDiL Oy C12287_ANGIE-M2_(LUXEON_T)_3 Eff.88.4% / LDC (Polar)

Luminaire: LEDiL Oy C12287_ANGIE-M2_(LUXEON_T)_3 Eff.88.4%
Lamps: 1 x LUXEON_T (292lm@250mA)

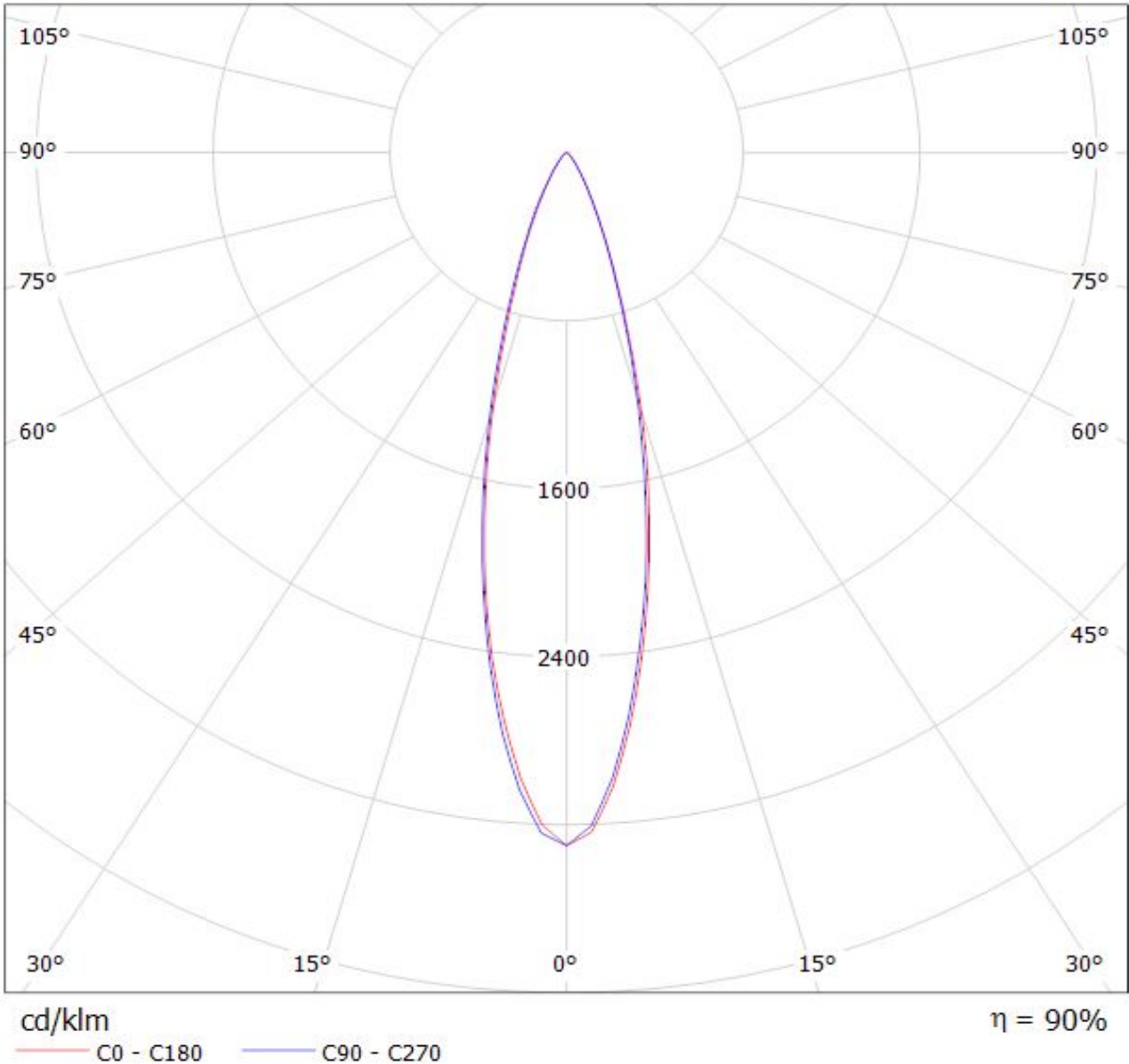


cd/klm

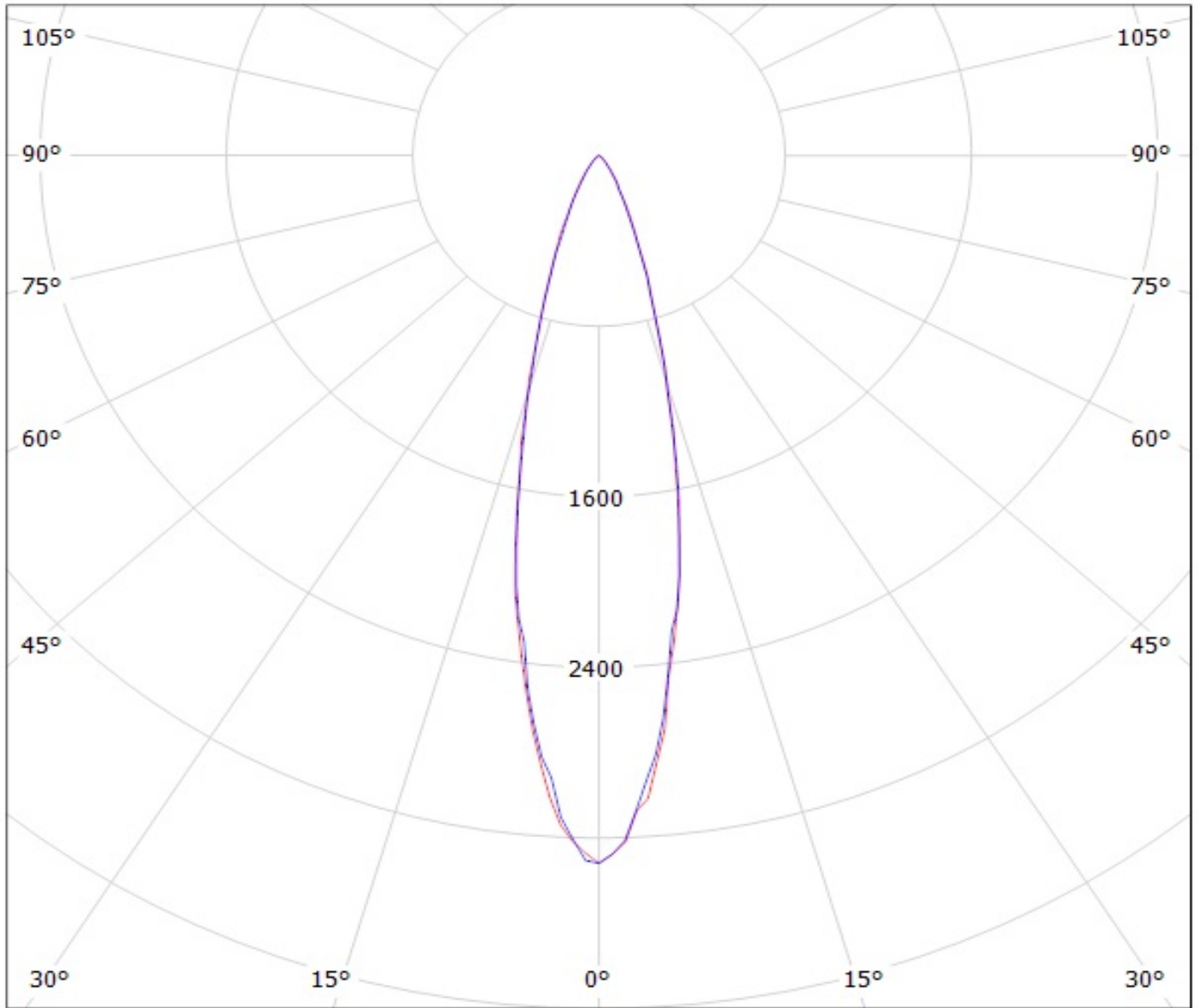
— C0 - C180 — C90 - C270

$\eta = 88\%$

Luminaire: Ledil Oy C12287_ANGIE-M2_(LUXEON_TX)
Lamps: 1 x Luxeon TX 318lm @ 250mA CCT= P=2.78W I=250mA



Luminaire: Ledil Oy C12287_ANGLE-M2 (Square EC) Efficiency=86%
Lamps: 1 x Oslon Square EC 250mA 312lm



cd/klm

— C0 - C180

— C90 - C270

NOTE: The typical divergence will be changed by different color, chip size and chip position tolerance. The typical total divergence is the full angle measured where the luminous intensity is half of the peak value.