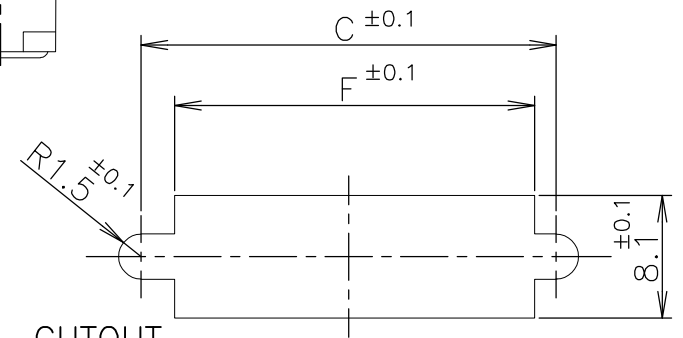
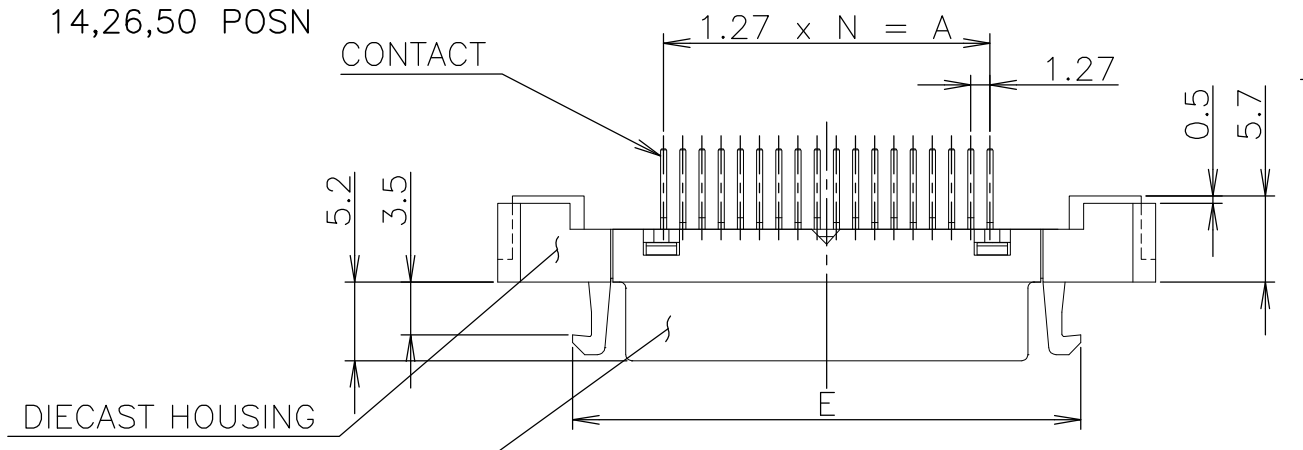
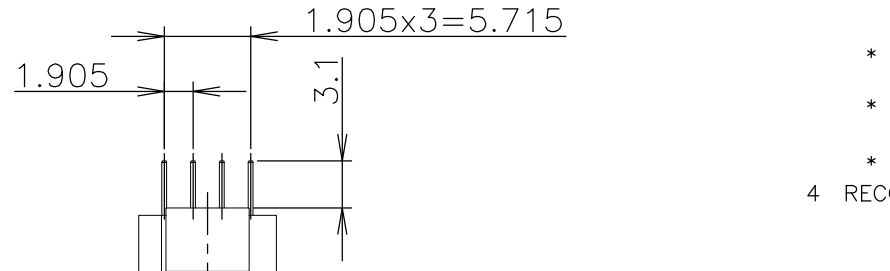
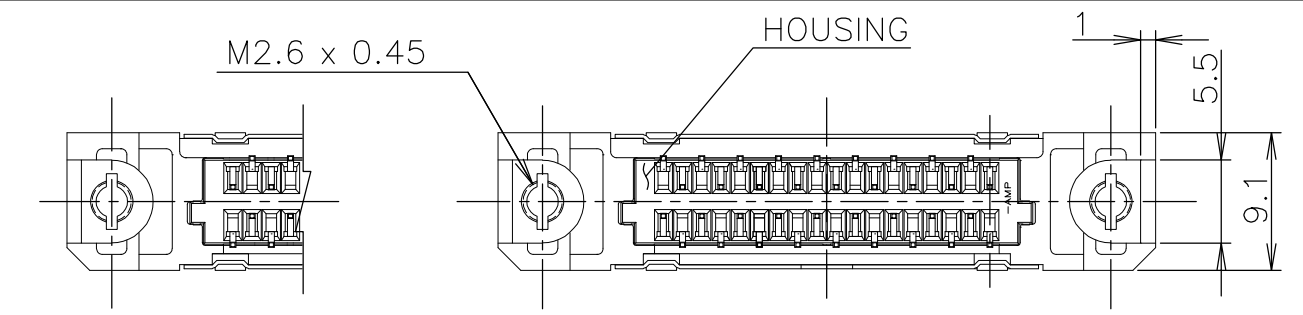


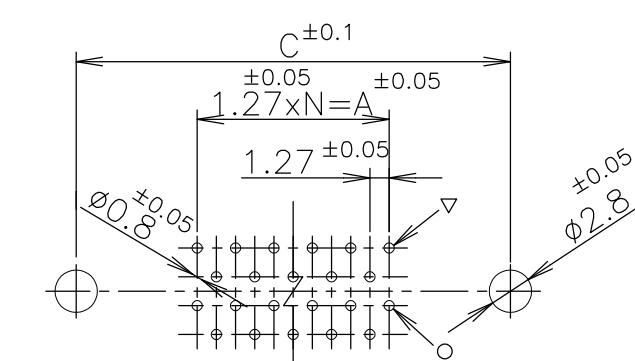
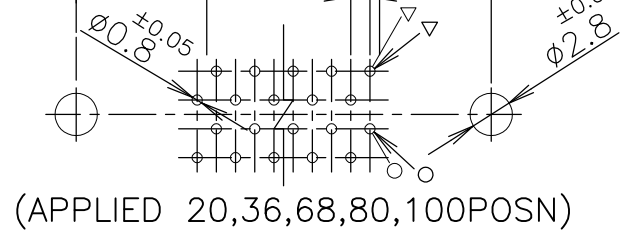
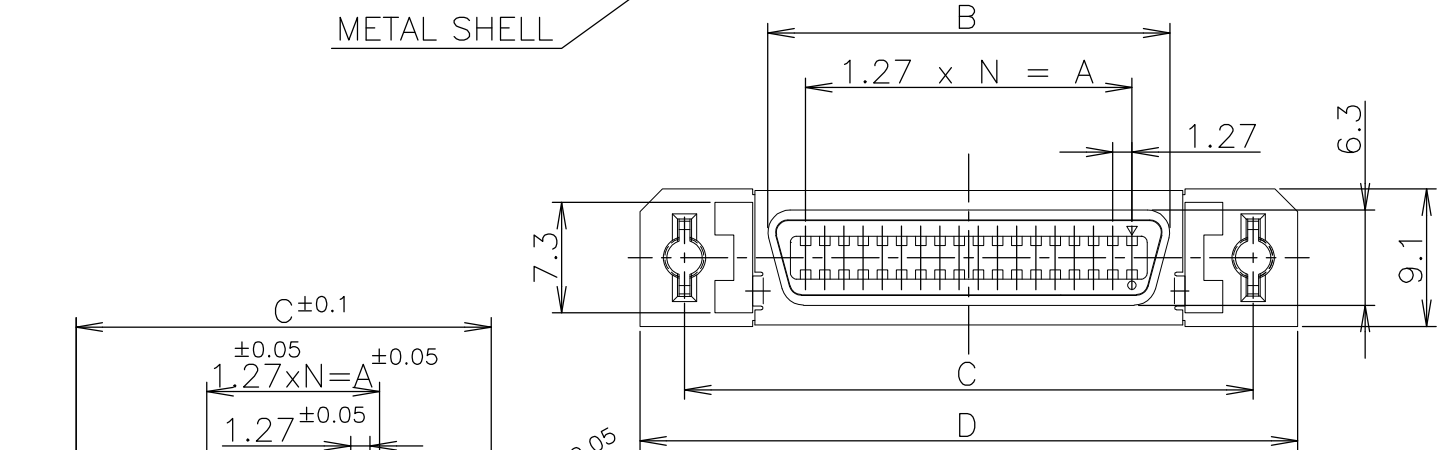
THIS DRAWING IS UNPUBLISHED. RELEASED FOR PUBLICATION SEP ,2004.
 © COPYRIGHT 2004 By - ALL RIGHTS RESERVED.

LOC	DIST	REVISIONS			
P	LTR	DESCRIPTION	DATE	DWN	APVD
J					
P	P	REVISED PER ECO-11-005033	26MAR11	RK	HMR

- 1 USED SCREW SIZE; M2.6 PANHEAD SCREW.
- 2 CONNECTOR TO BE MATED; 175677,517571
- △ MATERIAL AND FINISH;
 - * CONTACT; PHOS-BRONZE
FINISH: Au PLATING OVER Ni UNDER PLATING ON CONTACT AREA.
TIN PLATING OVER Ni UNDER PLATING ON SOLDER TINE AREA.
 - * METAL SHELL: STEEL
FINISH: Ni PLATING OVER COPPER UNDER PLATING.
 - * DIECAST HOUSING; ZINC
FINISH: Ni PLATING OVER COPPER UNDER PLATING.
 - * HOUSING; THERMOPLASTIC, UL94V-0, BLACK
- 4 RECOMMEND P.W.B THICKNESS; 1.6mm



PANEL CUTOUT (THK; 2mm MAX.) FIG-2



RECOMMEND P.W.B HOLE LAYOUT (CONNECTOR MOUNTING SIDE) FIG-1

LEAD FREE

AU PLATING	N	F	E	D	C	B	A	POSN	PART NO.
0.00076	39	61.90	61.55	71.45	65.55	54.53	49.53	80	3-5175887-0
	49	74.60	74.25	84.15	78.25	67.23	62.23	100	2-5175887-9
	33	54.20	53.93	63.83	57.93	46.91	41.91	68	2-5175887-8
	24	42.80	42.50	52.40	46.50	35.48	30.48	50	2-5175887-7
	17	33.90	33.61	43.51	37.61	26.59	21.59	36	2-5175887-5
	12	27.60	27.26	37.16	31.26	20.24	15.24	26	2-5175887-4
0.0003	9	23.80	23.45	33.35	27.45	16.43	11.43	20	2-5175887-2
	6	19.90	19.64	29.54	23.64	12.62	7.62	14	2-5175887-1
	39	61.90	61.55	71.45	65.55	54.53	49.53	80	1-5175887-0
	49	74.60	74.25	84.15	78.25	67.23	62.23	100	5175887-9
	33	54.20	53.93	63.83	57.93	46.91	41.91	68	5175887-8
	24	42.80	42.50	52.40	46.50	35.48	30.48	50	5175887-7
	17	33.90	33.61	43.51	37.61	26.59	21.59	36	5175887-5
	12	27.60	27.26	37.16	31.26	20.24	15.24	26	5175887-4
	9	23.80	23.45	33.35	27.45	16.43	11.43	20	5175887-2
	6	19.90	19.64	29.54	23.64	12.62	7.62	14	5175887-1

THIS DRAWING IS A CONTROLLED DOCUMENT.

DIMENSIONS: mm	TOLERANCES UNLESS OTHERWISE SPECIFIED: 0 PLC ± 0.2 1 PLC ± 0.2 2 PLC ± 0.2 3 PLC ± 0.2 4 PLC ± 0.2 ANGLES ± 3'	DWN COREL WANG 01SEP04 CHK STEVEN YAO 01SEP04 APVD I.ENOMOTO 01SEP04 PRODUCT SPEC 108-60043 APPLICATION SPEC	TE Connectivity NAME: REC HEADER ASSY, VERTICAL CHAMP .050 SERIES (II) STD-TYPE (M2.6)	
MATERIAL: SEE NOTE 3	FINISH: SEE NOTE 3	WEIGHT	SIZE: A3	CAGE CODE: 00779
CUSTOMER DRAWING		SCALE: 2:1	DRAWING NO: C-5175887	RESTRICTED TO: P

1470-19 (3/11)