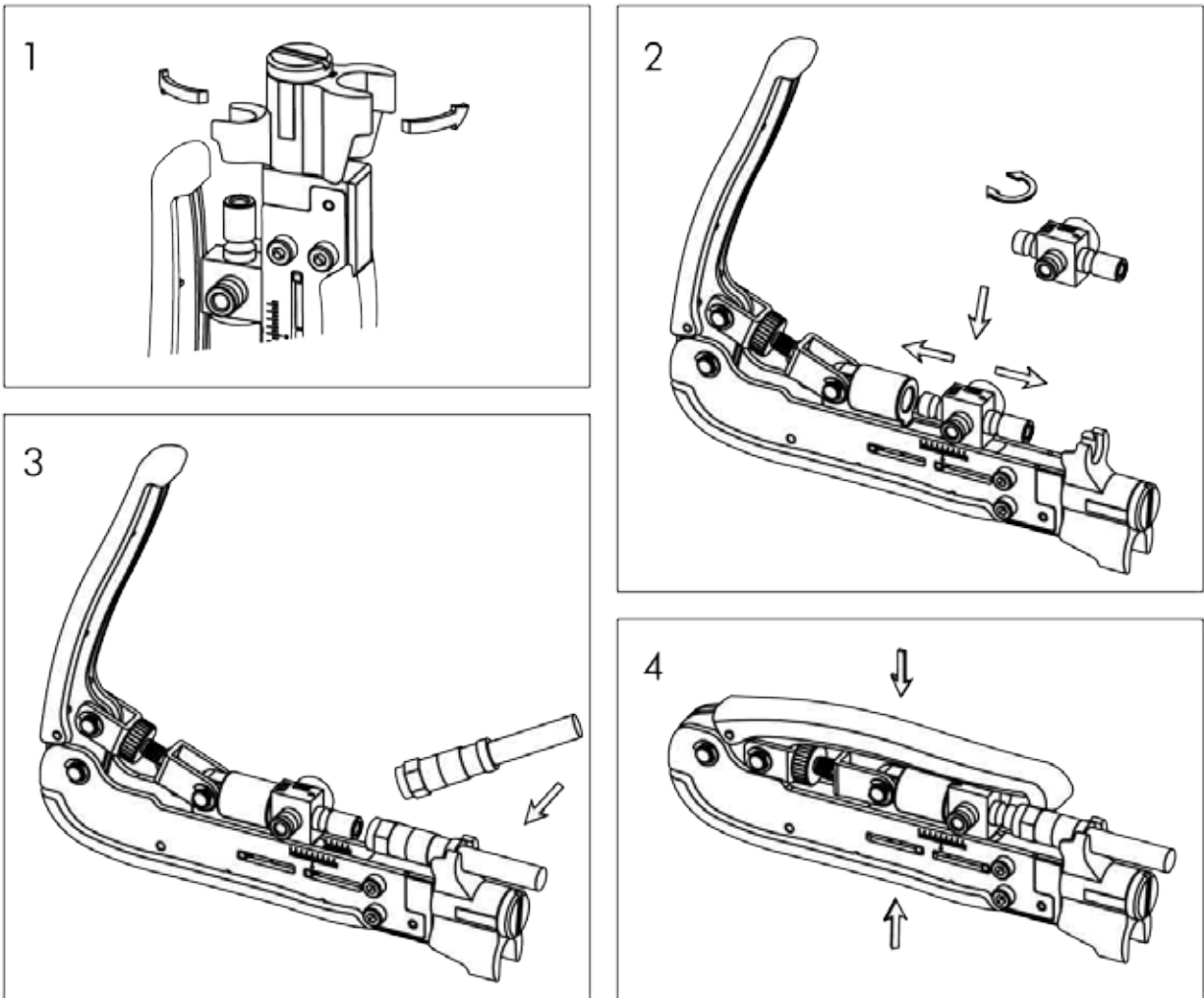


CT-200 Universal Compression Tool

This universal compression tool is designed for use on F Connectors (RG59, RG6, & RG11), BNC Connectors (RG59 & RG6 over 1.5" in length) and RCA Connectors (RG59 & RG6). Tool is designed with a dual head and adjustment dial with numbered setting guide for each unique connector application.



INSTRUCTIONS:

1. Choose the correct head by rotating (see figure 1)
2. Open the handle, extract the plunger and select the side compatible with your connector and re-insert the plunger into the holder (see figure 2)
3. Insert the connector and the stripped cable into the crimp holder, dial setting and squeeze (see figures 3 & 4)