

4

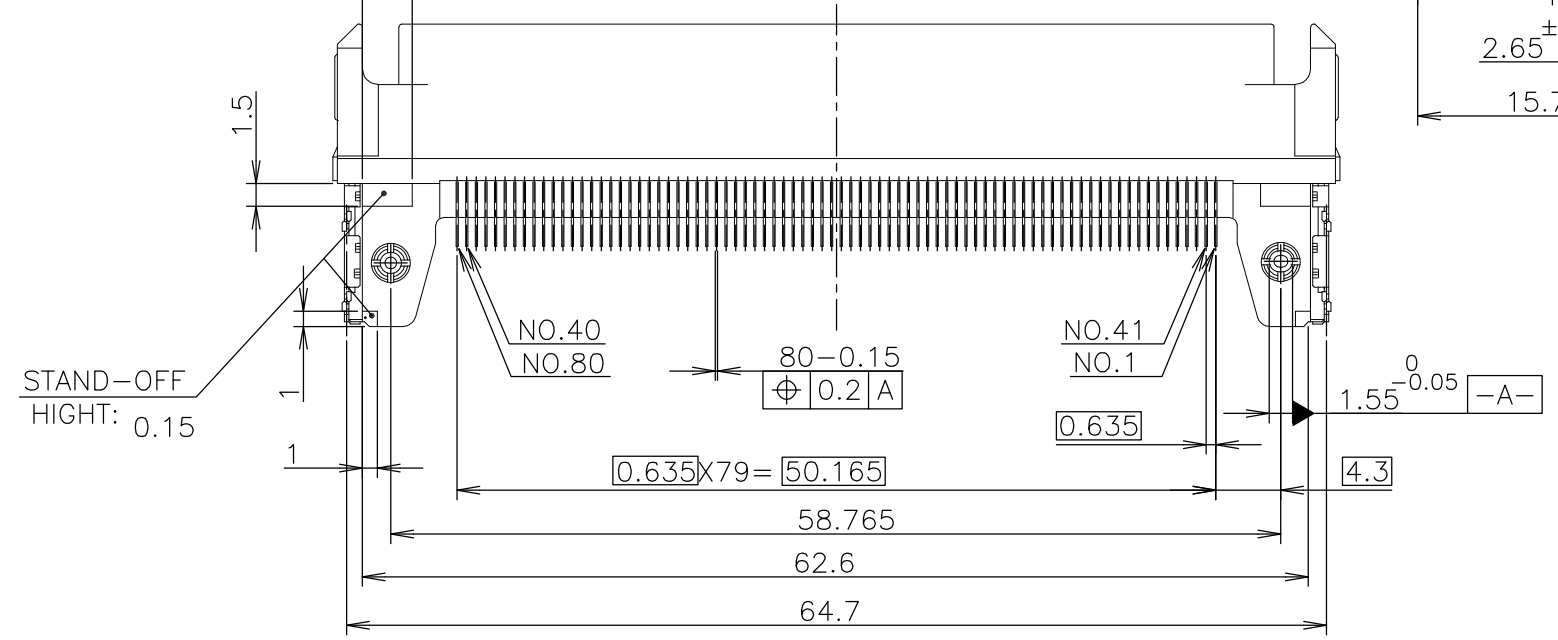
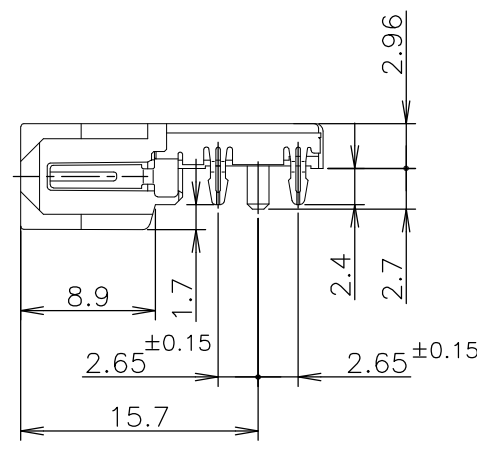
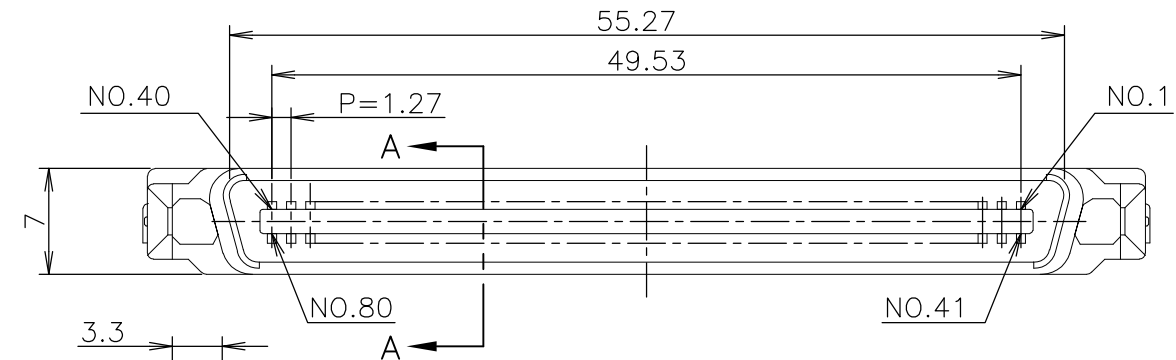
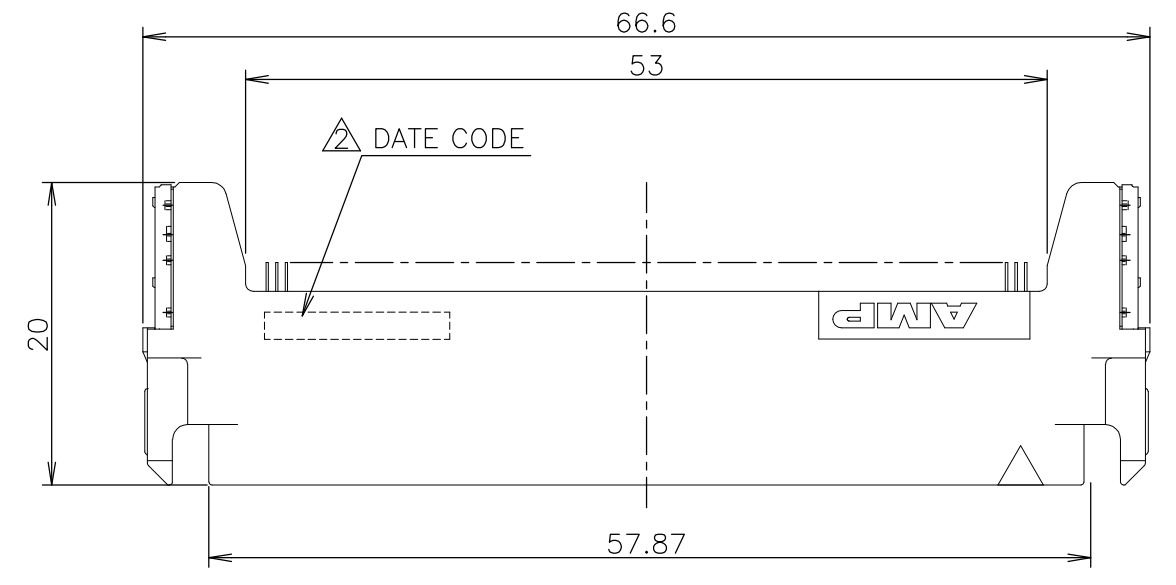
3

2

1

THIS DRAWING IS UNPUBLISHED. RELEASED FOR PUBLICATION FEB , 1995.
 © COPYRIGHT 1995 By - ALL RIGHTS RESERVED.

LOC	DIST	REVISIONS 變更					
J		P	LTR	DESCRIPTION	DATE	DWN	APVD
		B		RELEASED ECO-12-012349	12MAR13	BL	AC



- △ MATERIAL
 - (1) HOUSING: LCP(UL94V-0, BLACK)
 - (2) CONTACTS: PHOSPHOR BRONZE
FINISH: CONTACT AREA: Au PL. OVER 1μm MIN. Ni PL..
SOLDERING AREA: 1μm MIN TIN OVER 1μm MIN. Ni PL..
 - (3) G-CONT. WITH RETENTION-LEG: BRASS
FINISH: 1μm MIN TIN PL. OVER 1μm MIN. Ni PL..
- △ INDICATE DATE CODE.

STAND-OFF
HIGHT: 0.15

0.76um MIN.	5-5917593-9
0.2um MIN.	5917593-9
CONT.AREA Au PL. THK.	PART NO.

THIS DRAWING IS A CONTROLLED DOCUMENT.

DIMENSIONS: 單位: 耗 mm	TOLERANCES UNLESS OTHERWISE SPECIFIED: 一般公差
0 PLC ±	1 PLC ±
2 PLC ±	3 PLC ±
4 PLC ±	ANGLES ±

GENERAL TOLERANCE
10 ≥ * : ±0.2
30 ≥ * > 10 : ±0.25
100 ≥ * > 30 : ±0.3
ANGLES: ±3°

MATERIAL 材料	FINISH 仕上
----------------	--------------

DWN	WENKE HE	9MAR05
CHK	STEVEN YAO	9MAR05
APVD	I.ENOMOTO	9MAR05
PRODUCT SPEC	製品規格	
APPLICATION SPEC	取付適用規格	
WEIGHT		

TE Connectivity				NAME 名称	
				PLUG ASSY SMT TYPE CHAMP.050 I, BLINDMATE, WITH G-CONT.	
SIZE	CAGE CODE	DRAWING NO 番号	RESTRICTED TO		
A3	00779	G-5917593			
CUSTOMER DRAWING		SCALE 尺度	SHEET	REV	
		NTS	1 OF 2	B	

THIS DRAWING IS UNPUBLISHED.

RELEASED FOR PUBLICATION FEB ,1995.

© COPYRIGHT 1995 By -

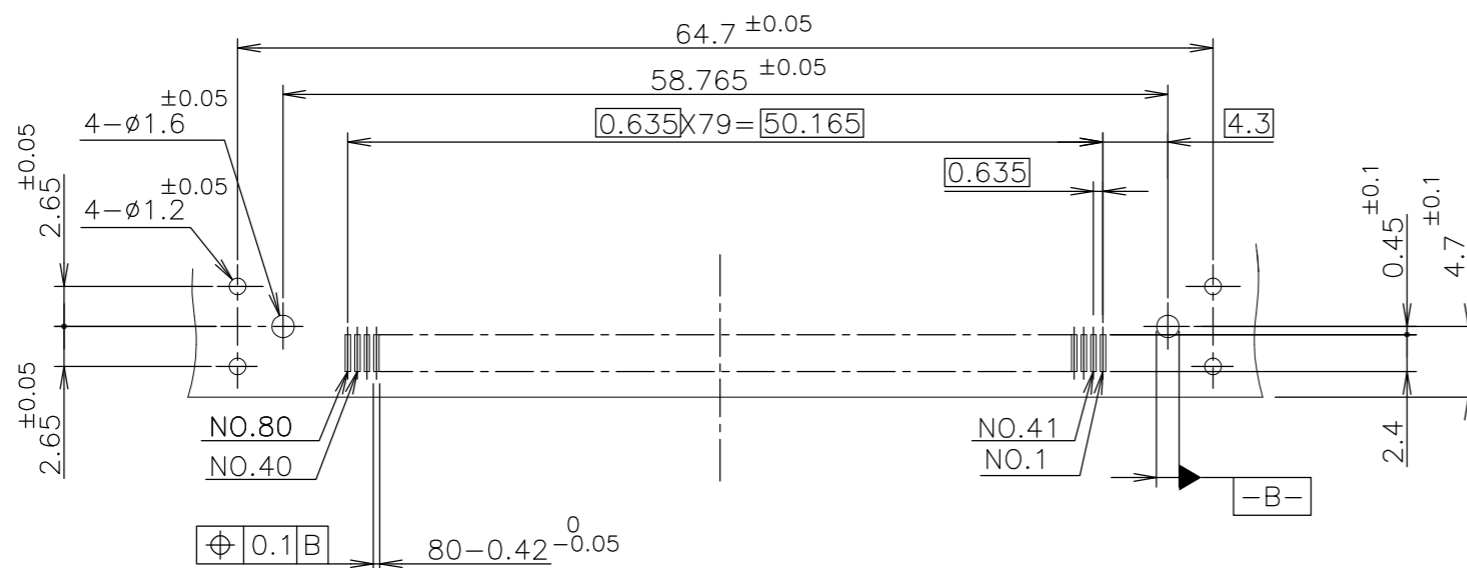
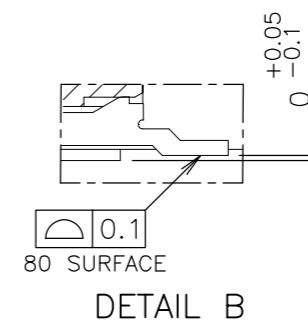
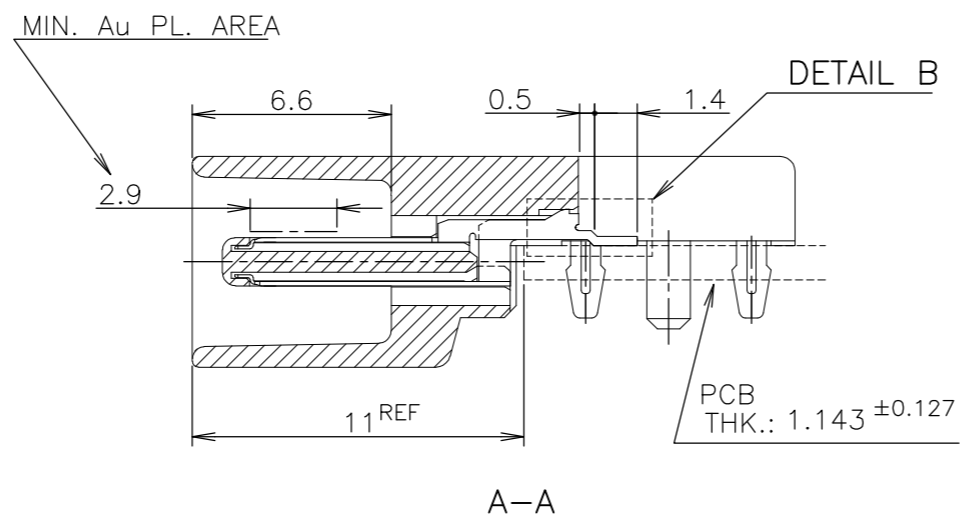
ALL RIGHTS RESERVED.

LOC J DIST

REVISIONS

変更

P	LTR	DESCRIPTION	DATE	DWN	APVD
-	-	SEE SHEET 1	-	-	-

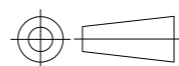


RECOMMENDED PCB LAYOUT

THIS DRAWING IS A CONTROLLED DOCUMENT.

DIMENSIONS:
単位: 耗
mm

TOLERANCES UNLESS
OTHERWISE SPECIFIED:
一般公差



- 0 PLC ±
- 1 PLC ±
- 2 PLC ±
- 3 PLC ±
- 4 PLC ±
- ANGLES ±

MATERIAL
材料
SEE SHEET 1

FINISH
仕上
SEE SHEET 1

GENERAL TOLERANCE

10 ≥ * : ±0.2

30 ≥ * > 10 : ±0.25

100 ≥ * > 30 : ±0.3

ANGLES: ±3°

DWN
CHK
APVD
PRODUCT SPEC 製品規格
APPLICATION SPEC 取付適用規格
WEIGHT
CUSTOMER DRAWING



NAME
名称
PLUG ASSY SMT TYPE
CHAMP.050 I, BLINDMATE, WITH G-CONT.

SIZE	CAGE CODE	DRAWING NO 番号	RESTRICTED TO
A3	00779	C-5917593	

SCALE
尺度 NTS

SHEET
2 OF 2

REV
B