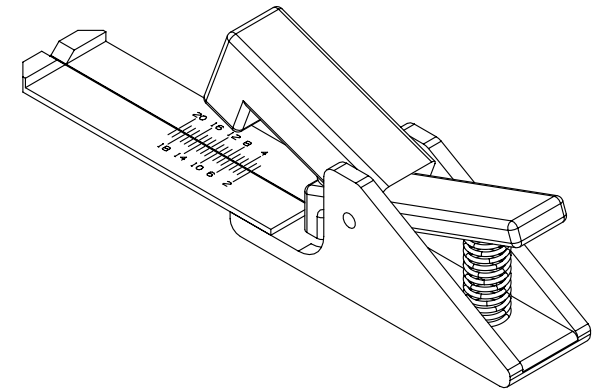
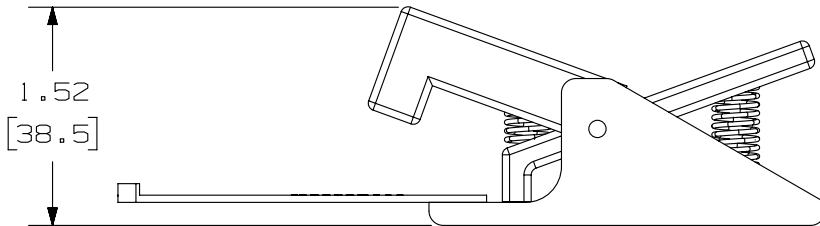
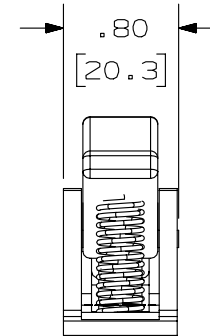
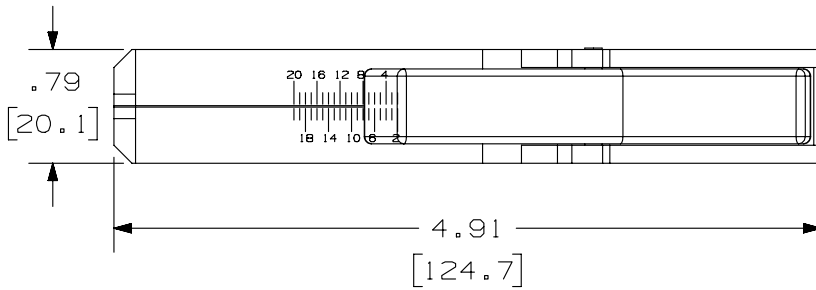


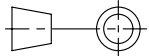
THIS COPY IS PROVIDED ON A RESTRICTED BASIS AND IS NOT TO BE USED IN ANY WAY DETRIMENTAL TO THE INTERESTS OF PANDUIT CORP.

PANDUIT P/N	WEIGHT
FJQCVR	2.57 LB/10 PCS (1168 g/10 PCS)



NOTES:

1. SEE CURRENT CATALOG FOR ADDITIONAL PART NUMBER SUFFIXES TO INDICATE COLOR AND OR PACKAGE QUANTITY.
2. SEE CATALOG FOR COMPLETE LIST OF PARTS APPLICABLE FOR USE WITH THIS PART.
3. DIMENSIONS IN [] ARE IN METRIC.

PART NUMBER		FJQCVR	
TITLE		FITEL CLEAVER TOOL	
		CUSTOMER DRAWING	
ITEM REVISION NAME		M00354BK/00	
DATASET FILE NAME		M00354BK_DC/00C	
UNLESS OTHERWISE SPECIFIED, DIMENSIONAL TOLERANCES ARE: IN [mm]		MATERIAL:	
.x ± .xxx ± .010 [.3]			
.xx ± .03 [.8] ANGLES ±		DRAWING NUMBER:	
		00354 - 30	
DRAWN BY	DATE	CHK	SCALE
JBA	02-23-99	RDG	NONE
REV		SHT 1 OF 1	
A		A	

2	2/6/15	JSP	WJM	TMK	A. REVISED DRAWING TITLE BLOCK.	00354-30
REV	DATE	BY	CHK	APR	DESCRIPTION	ECN

D10100DA/14