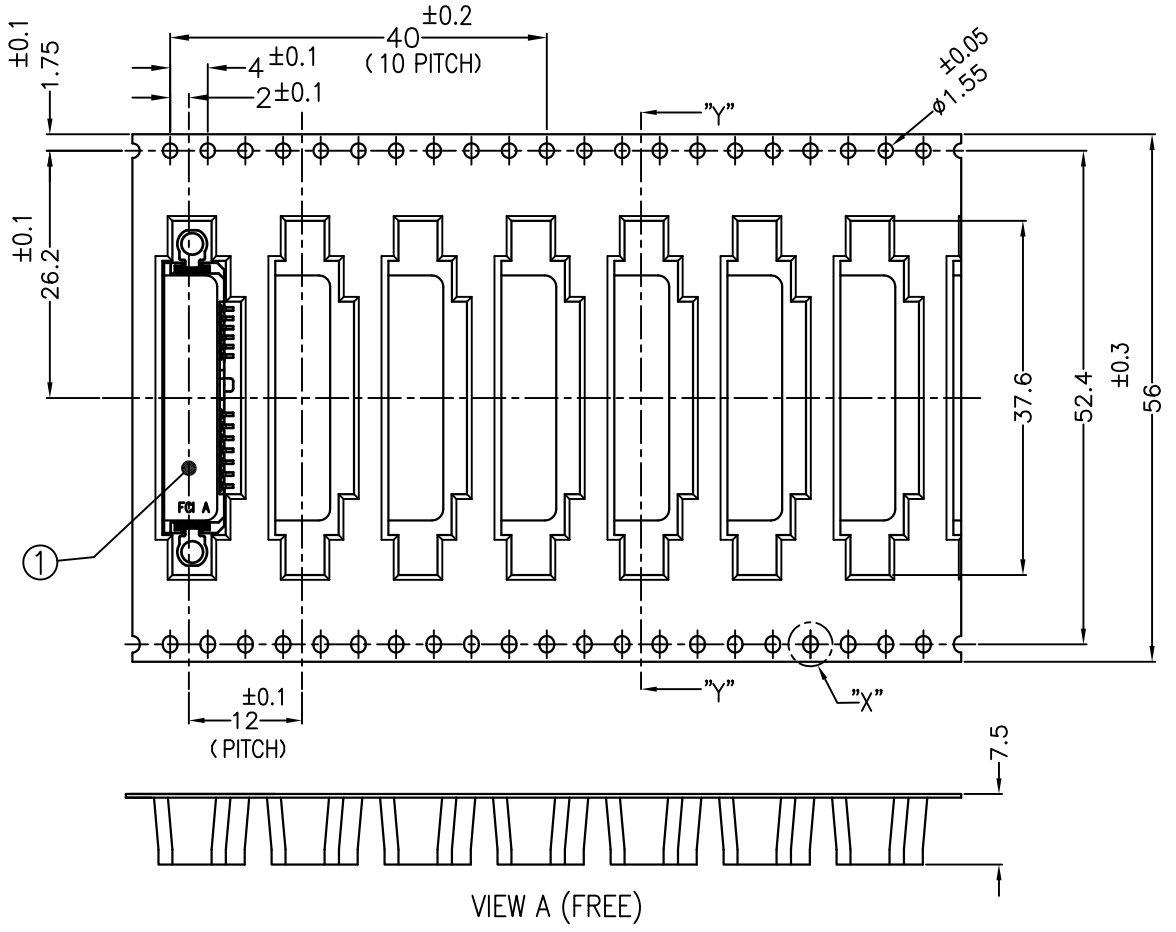
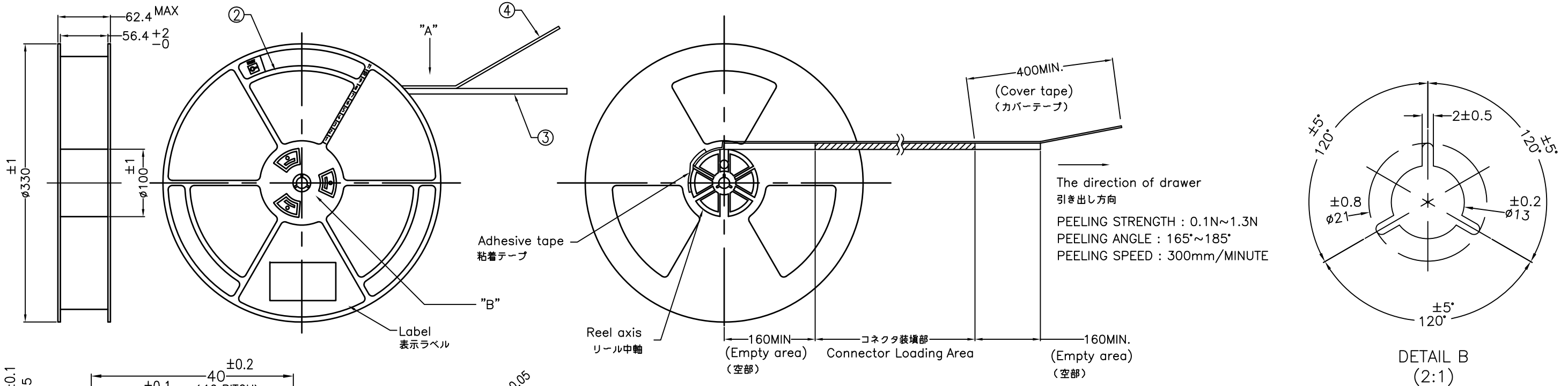


PRODUCT NO.	① CONNECTOR	QTY
10085303-0001ELF	10085303-0001ALF	600
10085303-0010ELF	10085303-0010ALF	600
10085303-0101PELF	10085303-0101PALF	600
10085303-0110PELF	10085303-0110PALF	600
10085303-1101PELF	10085303-1101PALF	600
10085303-2010ELF	10085303-2010ALF	600
10085303-2110PELF	10085303-2110PALF	600
10085303-2101PELF	10085303-2101PALF	600
10085303-3001ELF	10085303-3001ALF	600
10085303-3101PELF	10085303-3101PALF	600

EMBOSS PACKAGE

PARTS TABLE 部品表

No.	PART NAME 部品名	MATERIAL 材質	QTY.	NOTE 備考
①	CONNECTOR コネクタ	SEE SHEET 2	600	
②	THE REEL FOR PACKAGING 梱包用リール	POLYSTYRENE ポリスチレン	1	Color : BLACK or BLUE, ELECTRIFICATION PREVENTION PROCESSING 色 : 黒または青、帯電防止処理品
③	EMBOSS TAPE エンボステープ	PET	1	ELECTRIFICATION PREVENTION PROCESSING 帯電防止処理品
④	COVER TAPE カバーテープ	POLYESTER ポリエステル	1	



NOTE

- THIS ARTICLE CARRIES OUT THE EMBOSS TAPE PACKAGE OF THE SLIM LINE SATA CONNECTOR.
- THE SHAPE AND DIMENSION OF THIS ARTICLE ARE BASED ON JIS C 0806. (TAPING OF ELECTRIC PARTS < SURFACE MOUNTED DEVICE)
- PACKAGING SPEC. : REFER TO GS-14-1268
- PRODUCT SPEC. : REFER TO GS-12-543

注記

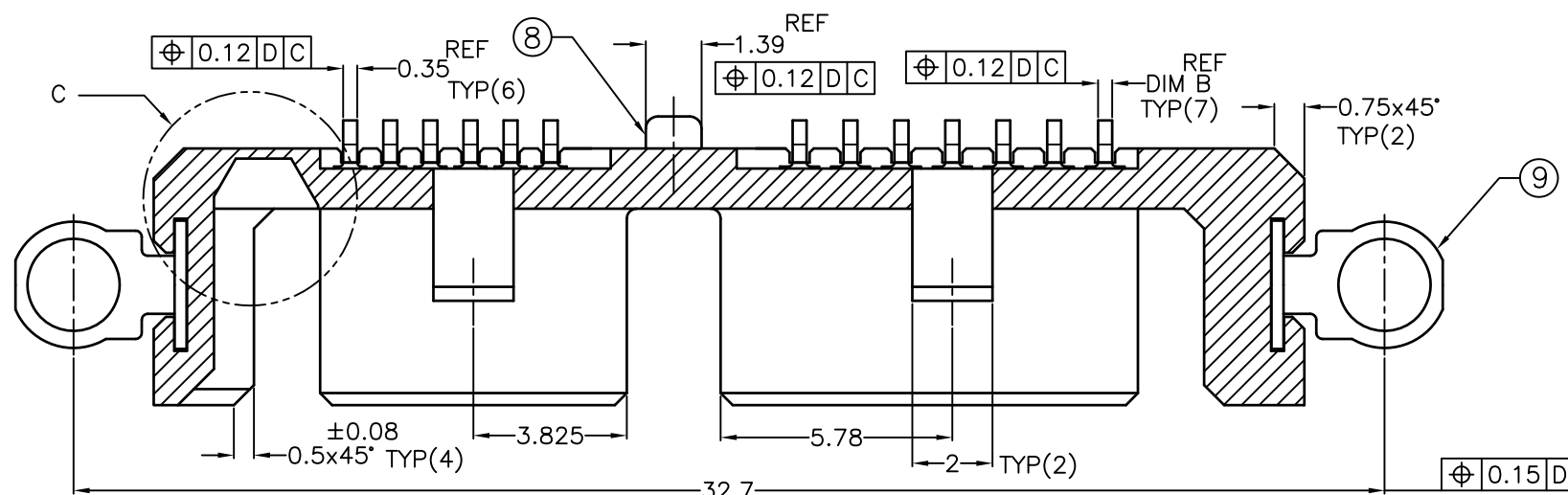
- 本品はスリムラインシリアルイーサーコネクタをエンボステープ梱包したものである。
- 本品の形状及び寸法規定は JIS C 0806 (電子部品のテーピング (表面実装部品)) に準拠する。
- 梱包規格はGS-14-1268を参照のこと
- 製品規格はGS-12-543を参照のこと

mat'l. code		surface		tolerance		projection		product family		CODE
---		ISO 1302		ISO 406		mm		530F SATA PLUG SLIM LINE		JP
ltr	description	ecn no	dr	date	tolerances unless otherwise specified	mm		title		
A	RELEASED	J08-0078	N.S	2008-2-28	angles	linear		SLIM LINE SATA 7+6P PLUG SCREW(CIRCLE), R/A SMT		
F	ADDED_ITEM	J08-0442	N.S	2008-11-18	±2'	0.XX ±0.2		scale 1:3		
G	ADDED_ITEM	J08-0466	N.S	2008-12-5	dr	0.XXX ±0.2		dwg no		
H	REVISED	J09-0087	N.S	2009-3-6	engr	N.SASAME		sheet 1 of 4 size		
J	REVISED	J09-0134	N.S	2009-4-13	chr	AP.LIM		10085303		
K	REVISED	EX-J-011347	N.S	2012-04-19	appd	M.KAJIURA		A2		
sheet index	revision	K	K	K	K			type		
	sheet	1	2	3	4			PRODUCT CUSTOMER Drawing		
								Rev.		
								K		

CONNECTOR ASSY

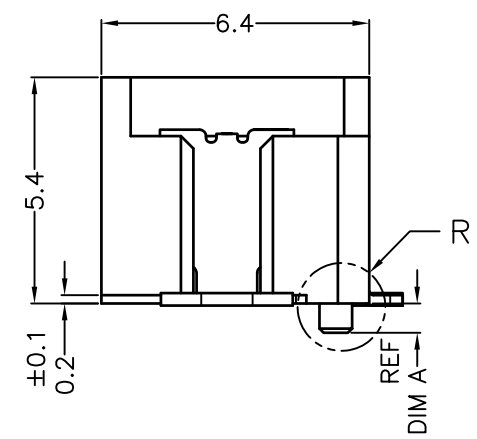
PARTS TABLE 部品表

No.	Part name 部品名	QTY.	Note 備考
⑤	HOUSING ハウジング	1	HIGH TEMP THERMOPLASTIC COLOR : BLACK , UL94V-0
⑥	SIGNAL CONTACT シグナルコンタクト	7	COPPER ALLOY CONTACT AREA : Au SOLDERING AREA : Au or TIN
⑦	POWER CONTACT パワーコンタクト	6	COPPER ALLOY CONTACT AREA : Au SOLDERING AREA : Au or TIN
⑧	SOLDER PEG (CENTER) 補強金具 (中央部)	1	COPPER ALLOY TIN PLATING
⑨	SOLDER PEG (L&R) 補強金具 (左、右)	2	COPPER ALLOY TIN PLATING



<P/N composition> <P/N 構成>
10085303 - X X X X X L F

- LEAD-FREE
- PACKAGE SPEC
- E : TAPE AND REEL (EMBOSS ASSY)
- T : TRAY (TRAY ASSY)
- A : CONNECTOR ASSY (NOT PACKAGE)
- CONTACT TAIL LENGTH (DIM C)
- 0 : 1.0mm
- 1 : 0.7mm
- SIGNAL CONTACT TAIL WIDTH (DIM B)
- 0 : 0.35mm
- 1 : 0.40mm
- HSG BOSS LENGTH (DIM A)
- 0 : 1.0mm
- 1 : 0.7mm
- CONTACT PLATING (CONTACT AREA / SOLDERING AREA)
- 0 : GOLD FLASH (0.05 μ m) / TIN PLATING
- 1 : 0.38 μ m GOLD PLATING / TIN PLATING
- 2 : 0.76 μ m GOLD PLATING / TIN PLATING
- 3 : GOLD FLASH (0.05 μ m) / GOLD FLASH (0.05 μ m)
- 4 : 0.76 μ m GOLD PLATING / GOLD FLASH (0.05 μ m)

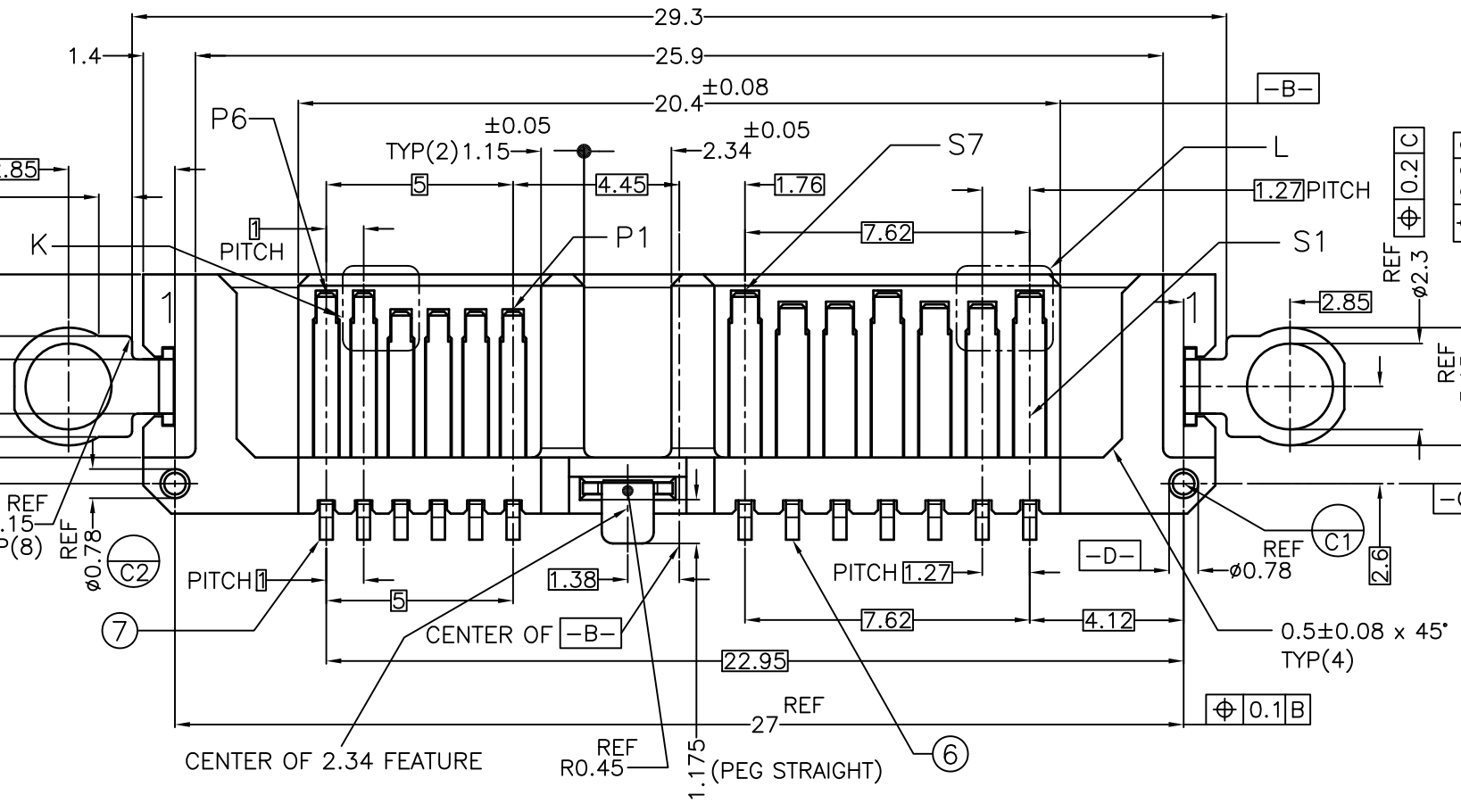
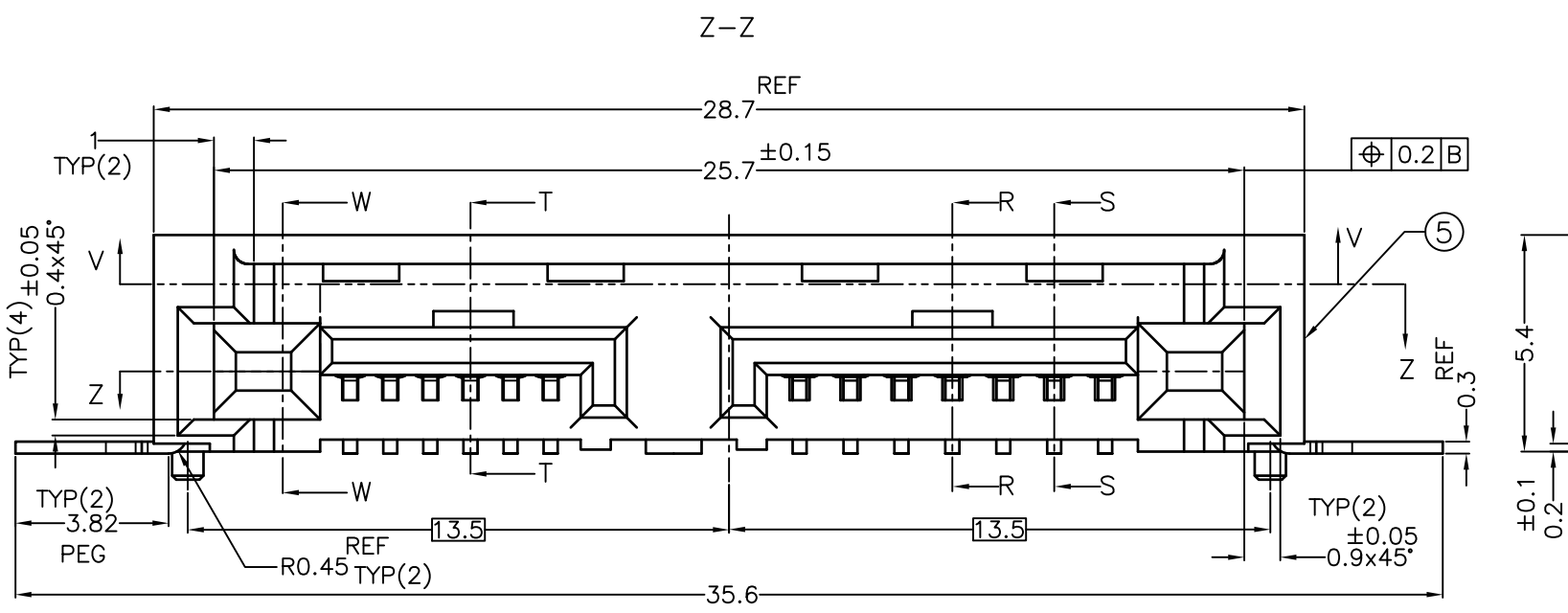
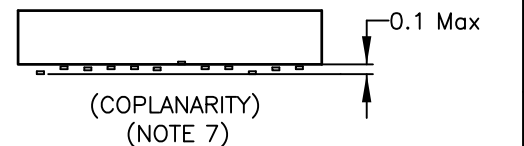
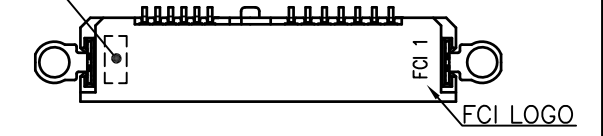


NOTE

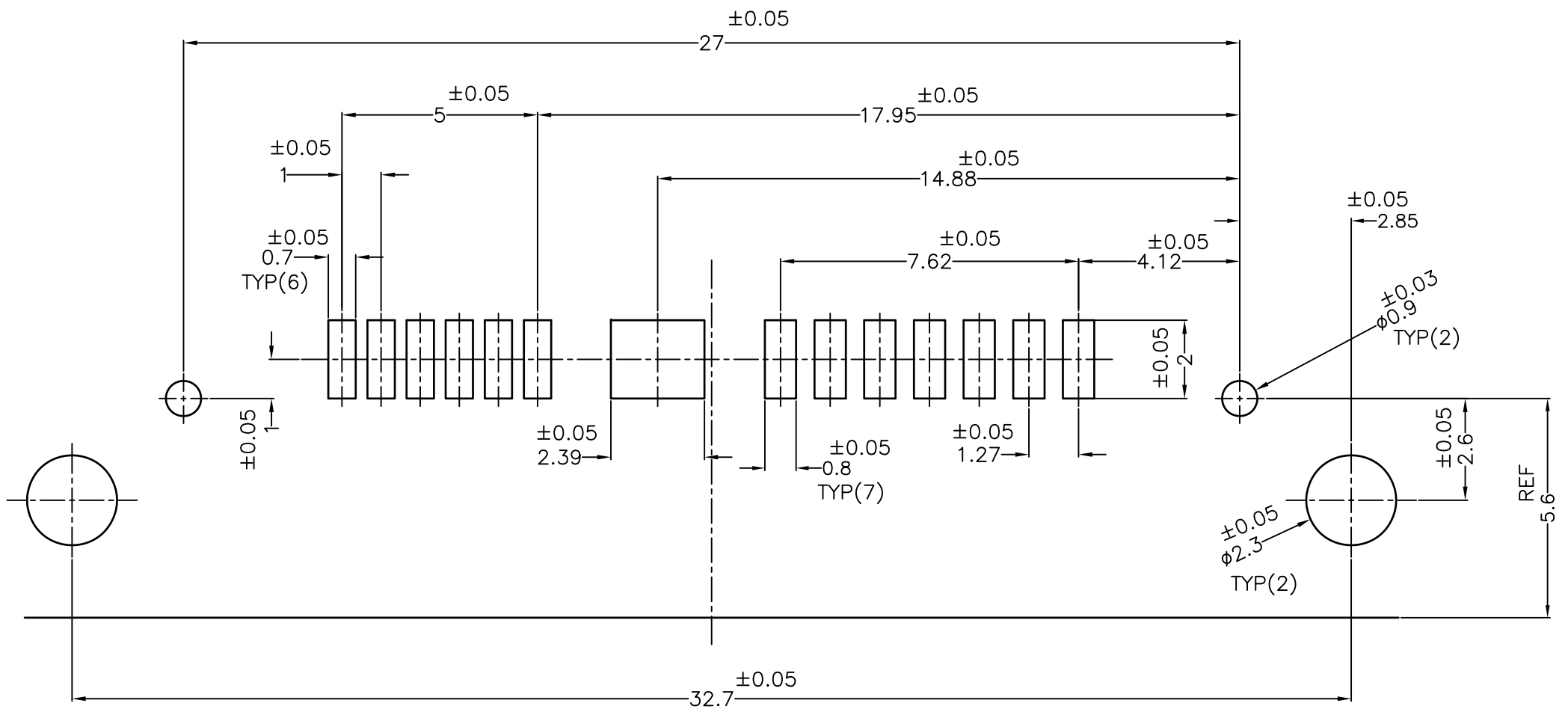
5. MATERIAL : SEE TABLE
6. FINISH : SEE TABLE AND P/N COMPOSITION TABLE
7. COPLANARITY : 0.1 MAX. (CONTACT AND SOLDER PEG)
8. DATE CODE MARK : YY/MM/DD/XX XX IS USED TO MARK CONTACT PLATING SPEC.
"05" : FLASH, "15" : 15 μ , "30" : 30 μ

注記

5. 材料 : 表参照
6. めっき : 表及び型番構成参照
7. コプラナリティ : 0.1以下 (端子、金具)
8. デートコード刻印 : YY/MM/DD/XX XXはコンタクトのめっきの種類
"05" : FLASH, "15" : 15 μ , "30" : 30 μ



mat'l. code		surface		tolerance		projection		product family		CODE	
---		ISO 1302		ISO 406		mm		530F SATA PLUG SLIM LINE		JP	
A		RELEASED		J08-0078		N.S		2008-2-28		SLIM LINE SATA 7+6P PLUG SCREW(CIRCLE), R/A SMT	
F		ADDED_ITEM		J08-0442		N.S		2008-11-18		scale 8:1	
G		ADDED_ITEM		J08-0466		N.S		2008-12-5		sheet 2 of 4 size	
H		REVISED		J09-0087		N.S		2009-3-6		engr N.SASAME	
J		REVISED		J09-0134		N.S		2009-4-13		chr AP.LIM	
K		REVISED		EX-J-011347		N.S		2012-04-19		appd M.KAJIURA	
sheet index		revision sheet								type PRODUCT CUSTOMER Drawing Rev. K	



RECOMMENDED PCB PATTERN LAYOUT



Copyright FCJ

mat'l. code		surface		tolerance		projection		product family		CODE	
----		ISO 1302		ISO 406		mm		530F SATA PLUG SLIM LINE		JP	
A		RELEASED		J08-0078		N.S		2008-2-28		tolerances unless otherwise specified	
F		ADDED_ITEM		J08-0442		N.S		2008-11-18		angles	
G		ADDED_ITEM		J08-0466		N.S		2008-12-5		linear	
H		REVISED		J09-0087		N.S		2009-3-6		0.X ±0.2	
J		REVISED		J09-0134		N.S		2009-4-13		0.XX ±0.2	
K		REVISED		EX-J-011347		N.S		2012-04-19		0.XXX ±0.2	
sheet		revision								scale 10:1	
index		sheet								type	
										PRODUCT CUSTOMER Drawing	
										Rev. K	