

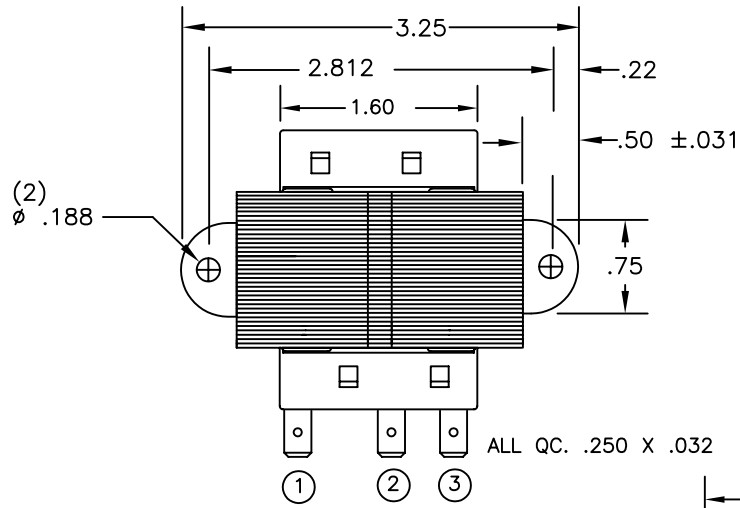
THIS DRAWING IS UNPUBLISHED. RELEASED FOR PUBLICATION
 © COPYRIGHT - BY TYCO ELECTRONICS CORPORATION. ALL RIGHTS RESERVED.

LOC	DIST	REVISIONS					
GZ	00	P	LTR	DESCRIPTION	DATE	DWN	APVD
		A		NPR-PU08-040	16APRO8	KH	HT

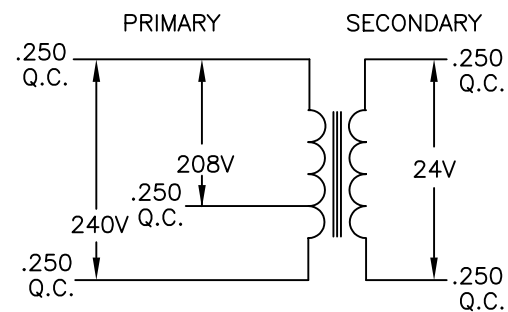
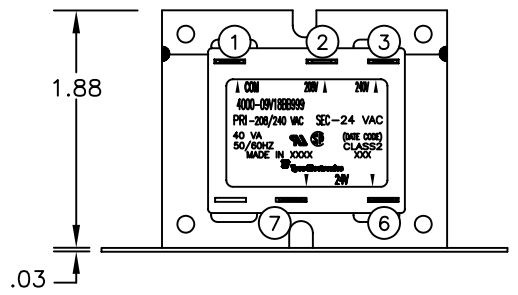
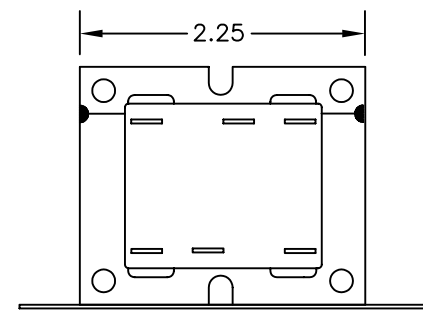
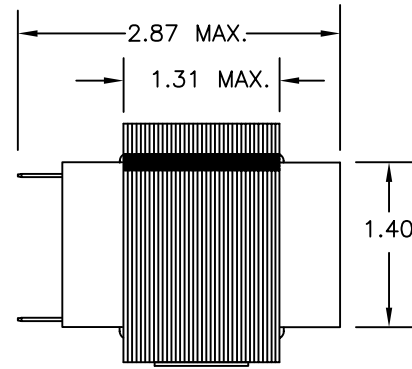
PRIMARY TERMINATION CODE					SECONDARY TERMINATION CODE				
TERM NO.	1	2	3	4	5	6	7	8	9
VOLTAGE	COM	208	240			24	VAC		
TERMINAL WIDTH	.250	.250	.250			.250	.250		
TERMINAL THICKNESS	.032	.032	.032			.032	.032		

NOTES
 1. DIMENSIONS FOR REFERENCE ONLY.
 2. WINDING PROTECTION - INHERENTLY LIMITED

CERTIFICATION: UL/CUL FILE NO. E87824



ALL QC. .250 X .032



SCHEMATIC

TYCO ELECTRONICS PART NUMBER
 7-1611513-3

THIS DRAWING IS A CONTROLLED DOCUMENT.		DWN	16APRO8	Tyco Electronics Corporation Harrisburg, PA 17105-3608		
DIMENSIONS: INCHES		CHK	16APRO8			
TOLERANCES UNLESS OTHERWISE SPECIFIED:		APVD	16APRO8			
0 PLC ± - 1 PLC ± - 2 PLC ± .01 3 PLC ± .005 4 PLC ± - ANGLES ± -		NAME	TRANSFORMER OUTLINE P.U. STOCK			
MATERIAL	FINISH	WEIGHT	SIZE	CAGE CODE	DRAWING NO	RESTRICTED TO
-	-	-	A3	00779	C=4000-09V18BB999	
CUSTOMER DRAWING			SCALE	1:1	SHEET	1 OF 1
			REV	A		