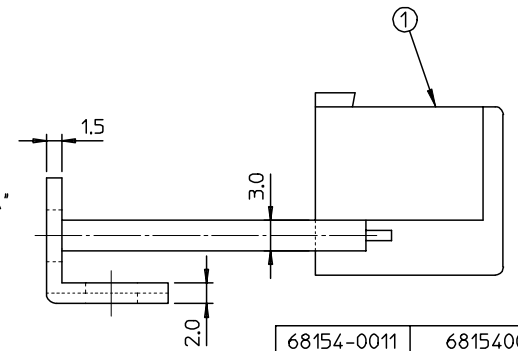
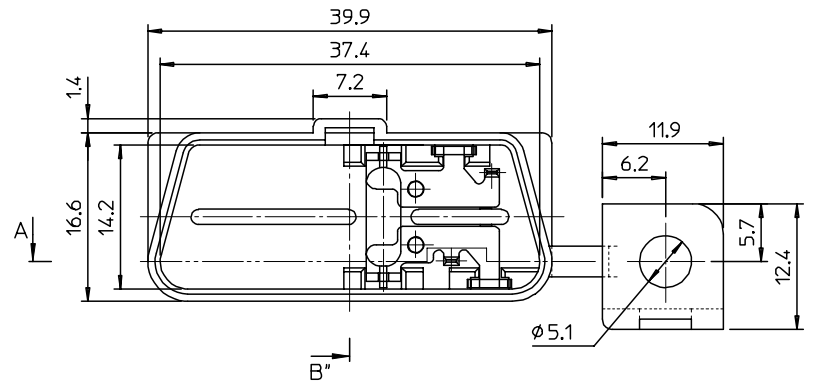
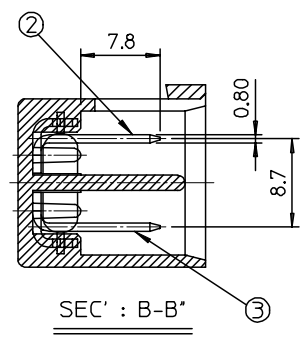
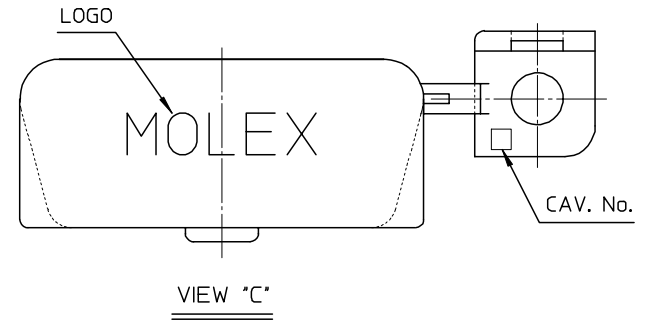
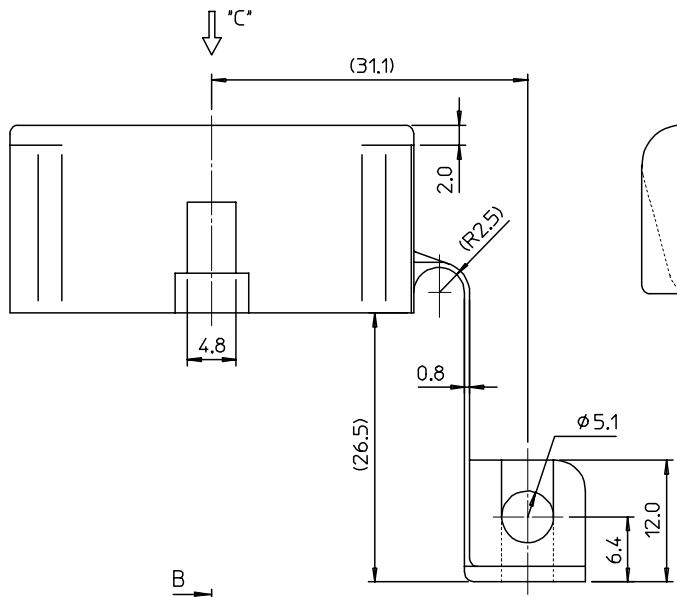
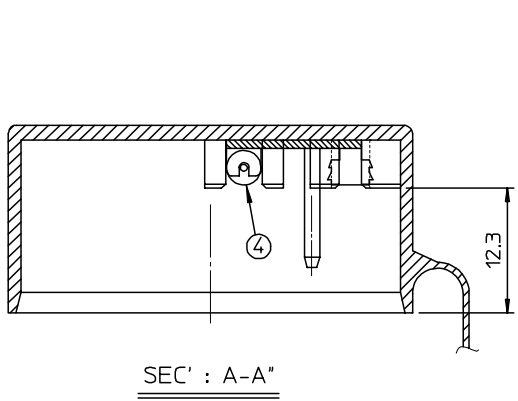


DWG. NO. SD-68154-001
 PROJECT NO.
 SIMILAR ITEM
 DO NOT SCALE DRAWING DIMENSION IN METRIC

8 7 6 5 4 3 2 1

F
 E
 D
 C
 B
 A



68154-0011	681540011
PART No.	MATERIAL No.

DIMENSIONS:		SHT	REV
<input type="checkbox"/> mm	<input type="checkbox"/> INCH	<input type="checkbox"/>	<input type="checkbox"/>
		REVISE ON CAD ONLY	

NO.	PART NAME	PART No.	MATERIAL	REMARK
1	COVER	68154-0091	PP	BLACK
2	PIN-A	35488-9002	BRASS	TIN PLATING
3	PIN-B	35488-9102	BRASS	TIN PLATING
4	RESISTOR	---	---	510 Ω ±5%

CHANGED BOARD
 ECN NO. KOR2003-0261
 DRWN: S.M.KIM 04/12/24
 CHK: B.C.YOON
 APPR: C.W.LEE

QUALITY SYMBOLS
 MAJOR
 CRITICAL

	GENERAL TOLERANCES: (UNLESS SPECIFIED)	
	mm	INCH
4 PLACES	±0.	±-
3 PLACES	±0.	±-
2 PLACES	±0.	±-
1 PLACE	±0.2	±-
ANGULAR: ± 1 °		

SCALE 2/1
 DESIGN UNITS mm INCH
 THIRD ANGLE PROJECTION
 DRAWN BY & DATE
 J.S.KANG 00/01/06
 CHECKED BY & DATE
 B.K.CHOI 00/01/06
 APPROVED BY & DATE
 C.W.LEE 00/01/06

TITLE: OBDII DUMMY PLUG ASS'Y (RESISTOR A-PULL UP)
 MOLEX INCORPORATED
 CAD FILENAME: E68154AB.MI
 MATERIAL NO. SEE TABLE
 DRAWING NO. SD-68154-001
 SHEET NO. 1 of 1

DRAFT WHERE APPLICABLE MUST REMAIN WITHIN DIMENSIONS
 THIS DRAWING CONTAINS INFORMATION THAT IS PROPRIETARY TO MOLEX INCORPORATED AND SHOULD NOT BE USED WITHOUT WRITTEN PERMISSION.
 KOREA MX-A3

8 7 6 5 4 3 2 1