



PRODUCT DATASHEET

Leila series

last update 17/5/2016

DETAILS

Product Number	FCN10804_LR1-RS
Family	Leila
Type	Pack
Color	white
Diameter	21,6 mm
Height	14,3 mm
Style	round
Optic Material	PMMA
Holder Material	
Fastening	glue
Status	production ready
ROHS Compliant	Yes
Date Updated	17/05/2016



OPTICAL PROPERTIES

LED	Viewing Angle	Light Beam	Effi- ciency	cd/lm	Connector
LUXEON Rebel	8 deg	Real spot	96 %	-	-

D

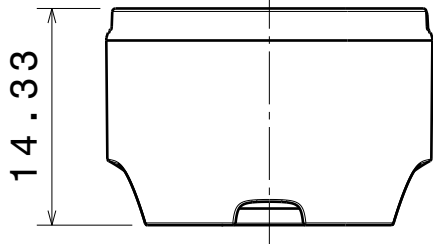
C

B

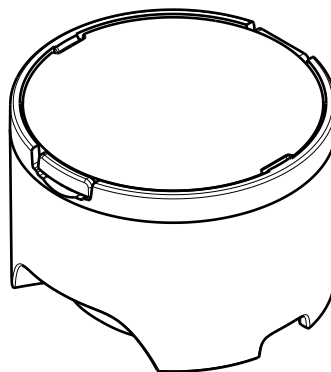
A

4

4



Front view



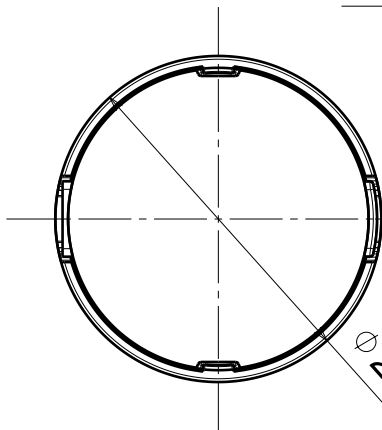
Isometric view
Scale: 2:1

3

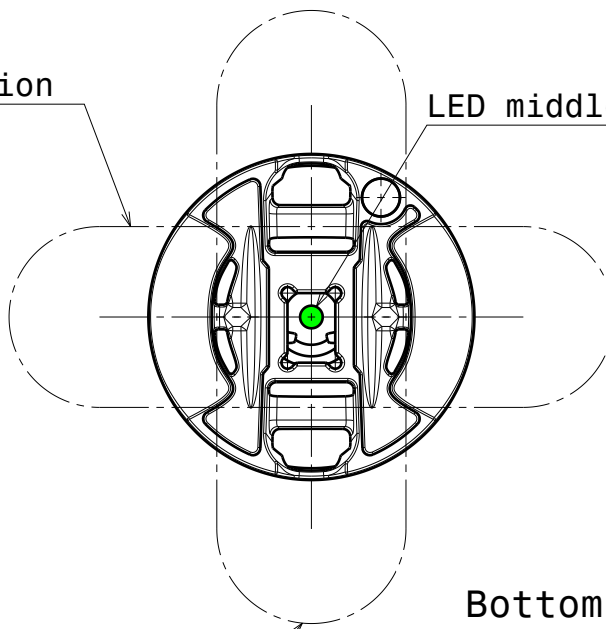
3

0-beam direction

LED middle point



Top view



Bottom view

2

2

0-90 beam direction

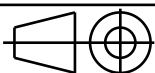
INDEX	PART NO	DESCRIPTION	MATERIAL	COLOUR
1	C10445	LR-LH1	PC	white
2	-	LR1-lens	PMMA	

Tolerances if not otherwise shown
According to DIN ISO 2768-1
Linear measures:
Up to 30mm class M, otherwise class C.
According to DIN ISO 2768-2
Form and position: class L

LEDiL

Ledil Oy
Salorankatu 10
FIN 24240 SALO
Finland

THIRD ANGLE PROJECTION:



DRAWING TITLE

LR1-series

This drawing is the property of LEDiL Oy. It may not be reproduced, copied or communicated without a written agreement with LEDiL Oy.

SIZE PART NUMBER

A4

-

SCALE 2:1 WEIGHT 4 g SHEET 1/1

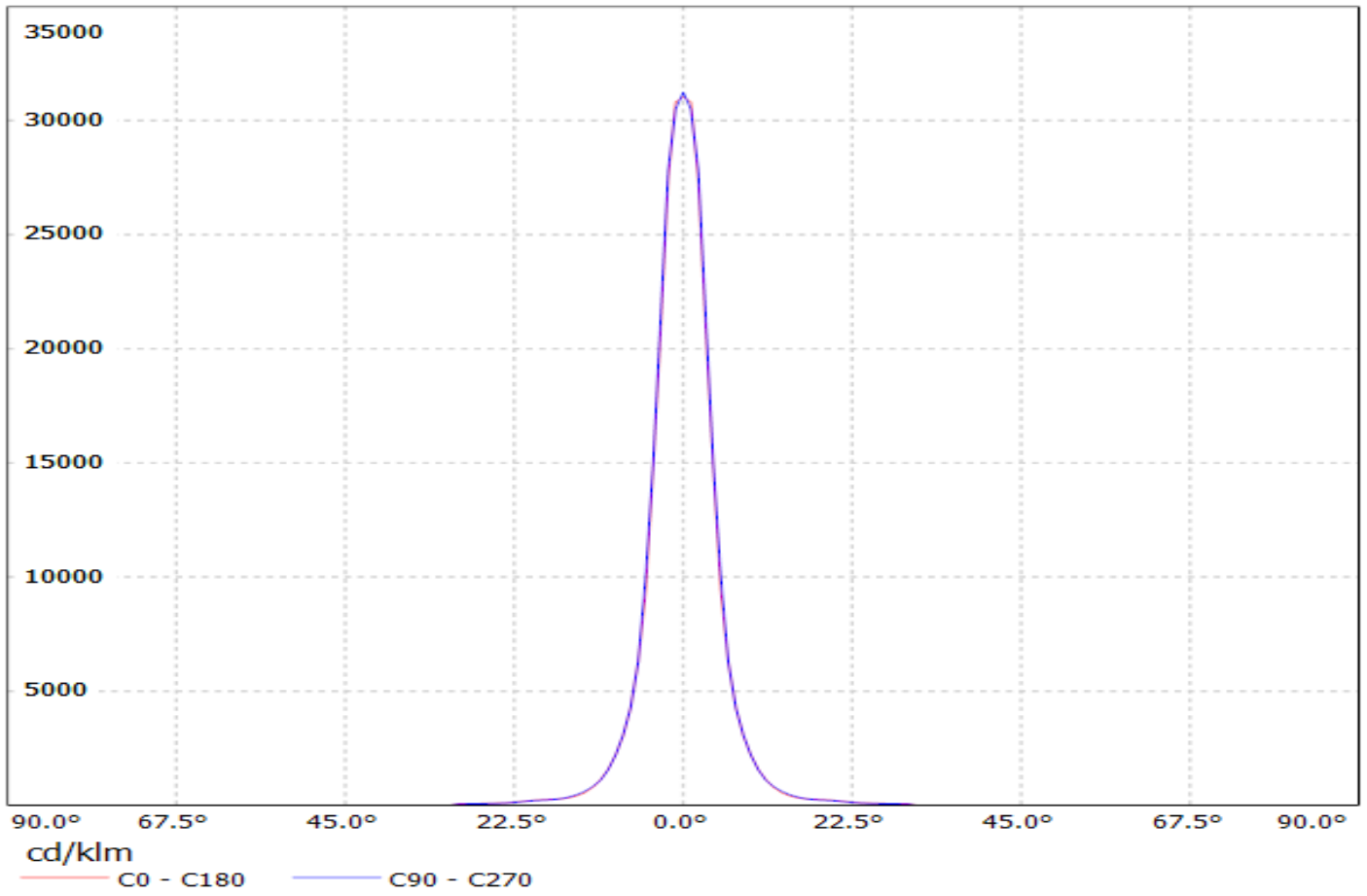
D

A

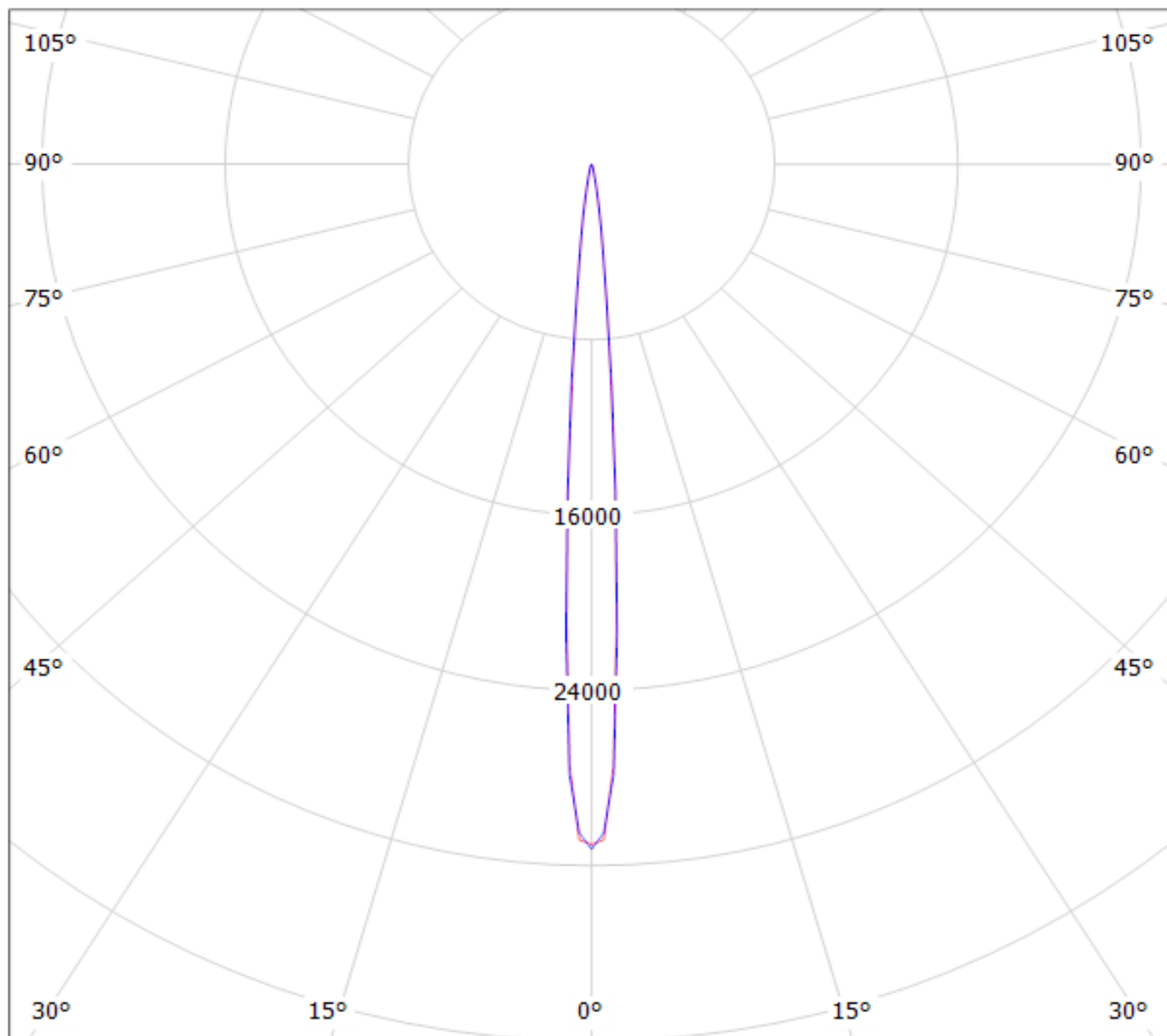
1

1

Luminaire: Ledil Oy FA10804_LR1-RS FA10804_LR1-RS
Lamps: 1 x LUXEON REBEL



Luminaire: Ledil Oy FA10804_LR1-RS FA10804_LR1-RS
Lamps: 1 x LUXEON REBEL



cd/klm

— C0 - C180

— C90 - C270

NOTE: The typical divergence will be changed by different color, chip size and chip position tolerance. The typical total divergence is the full angle measured where the luminous intensity is half of the peak value.