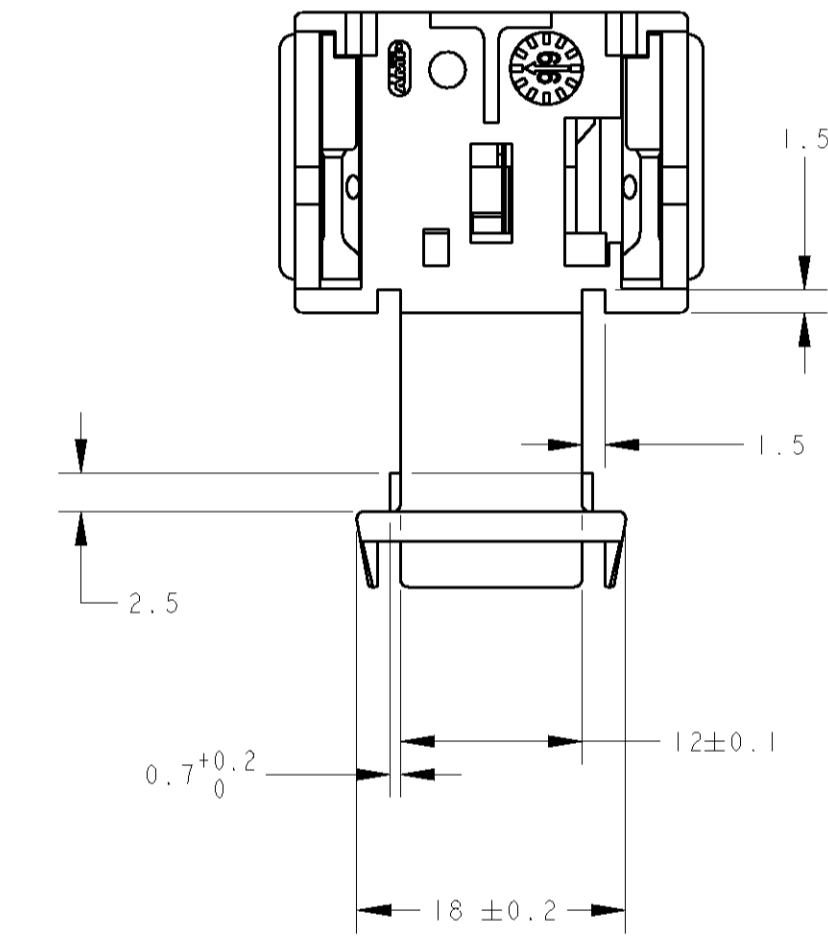
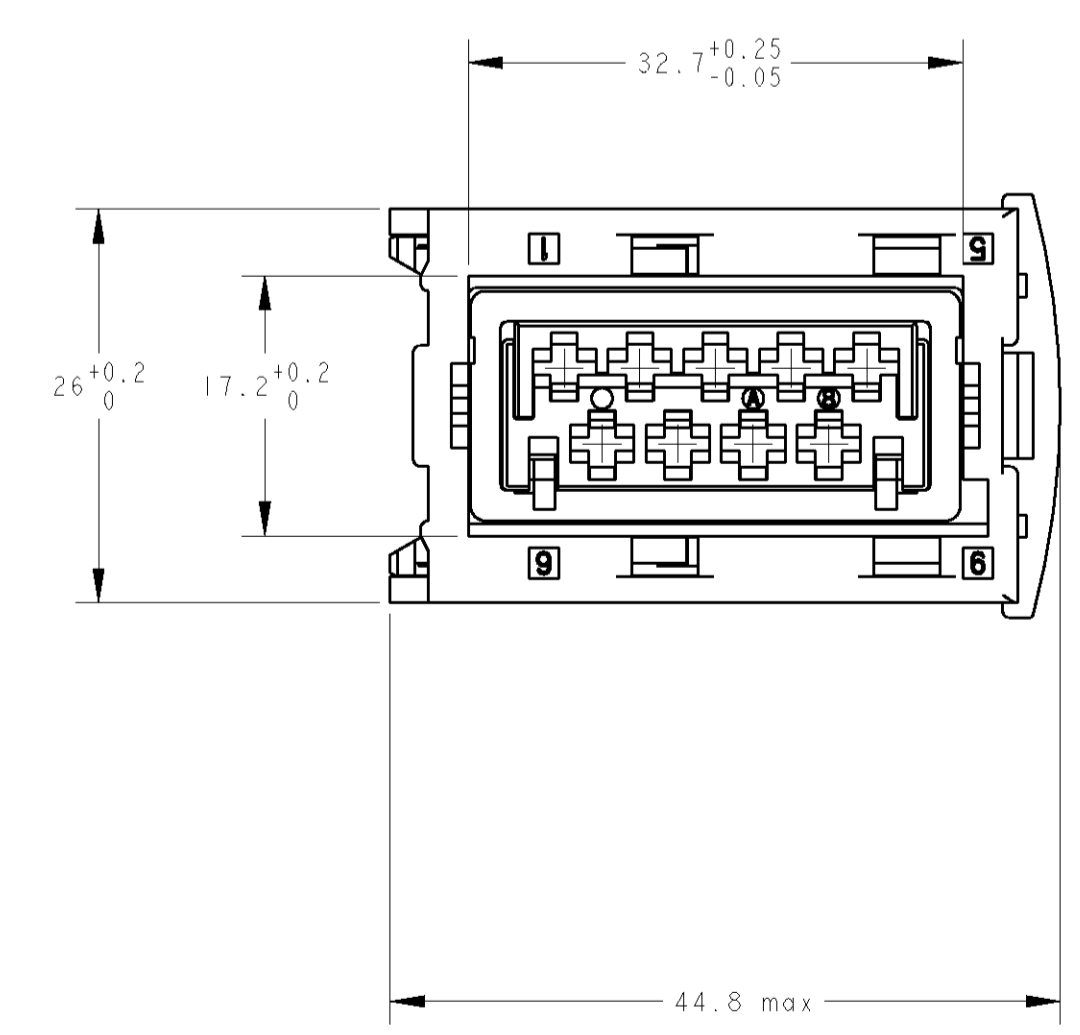
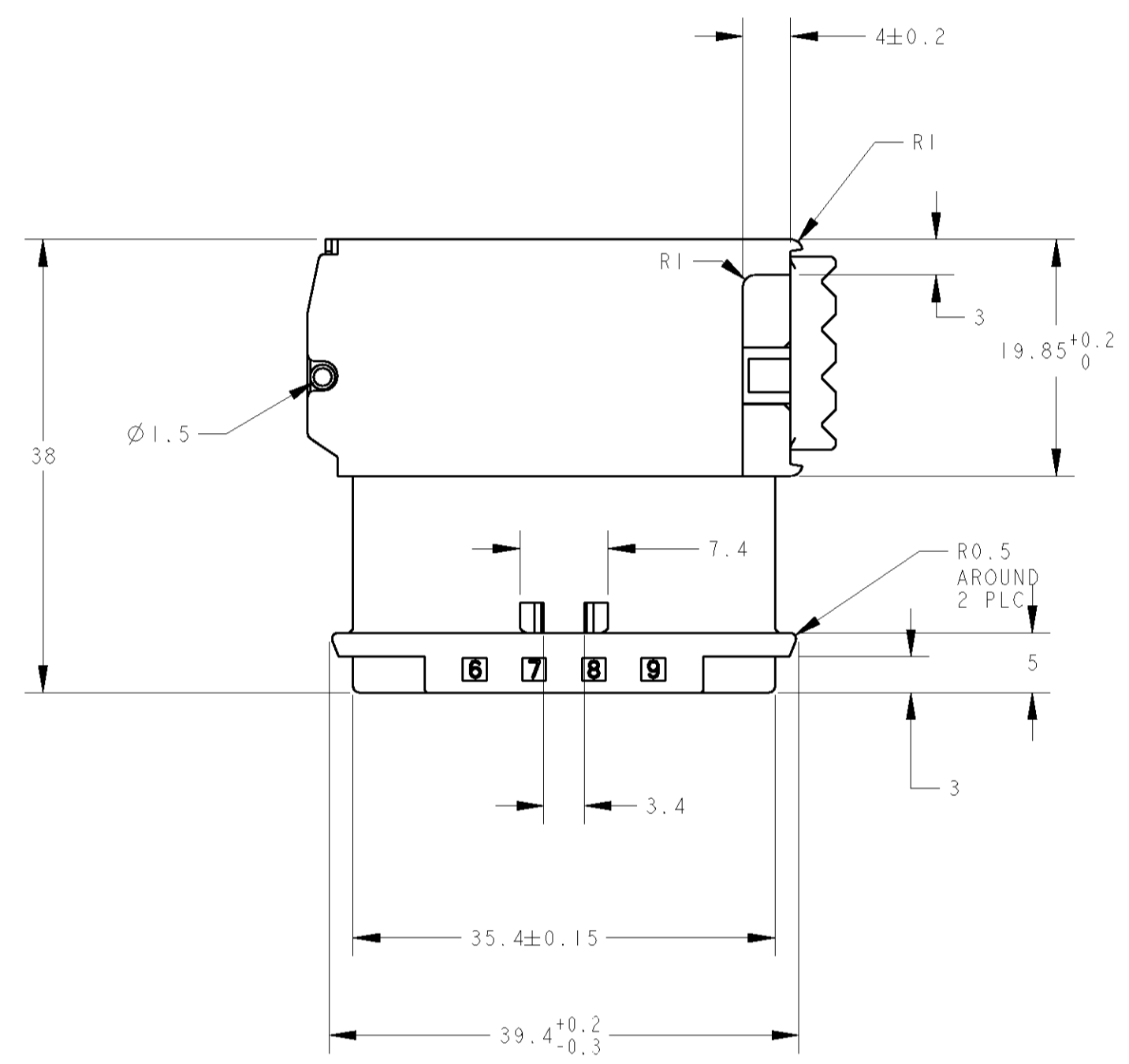
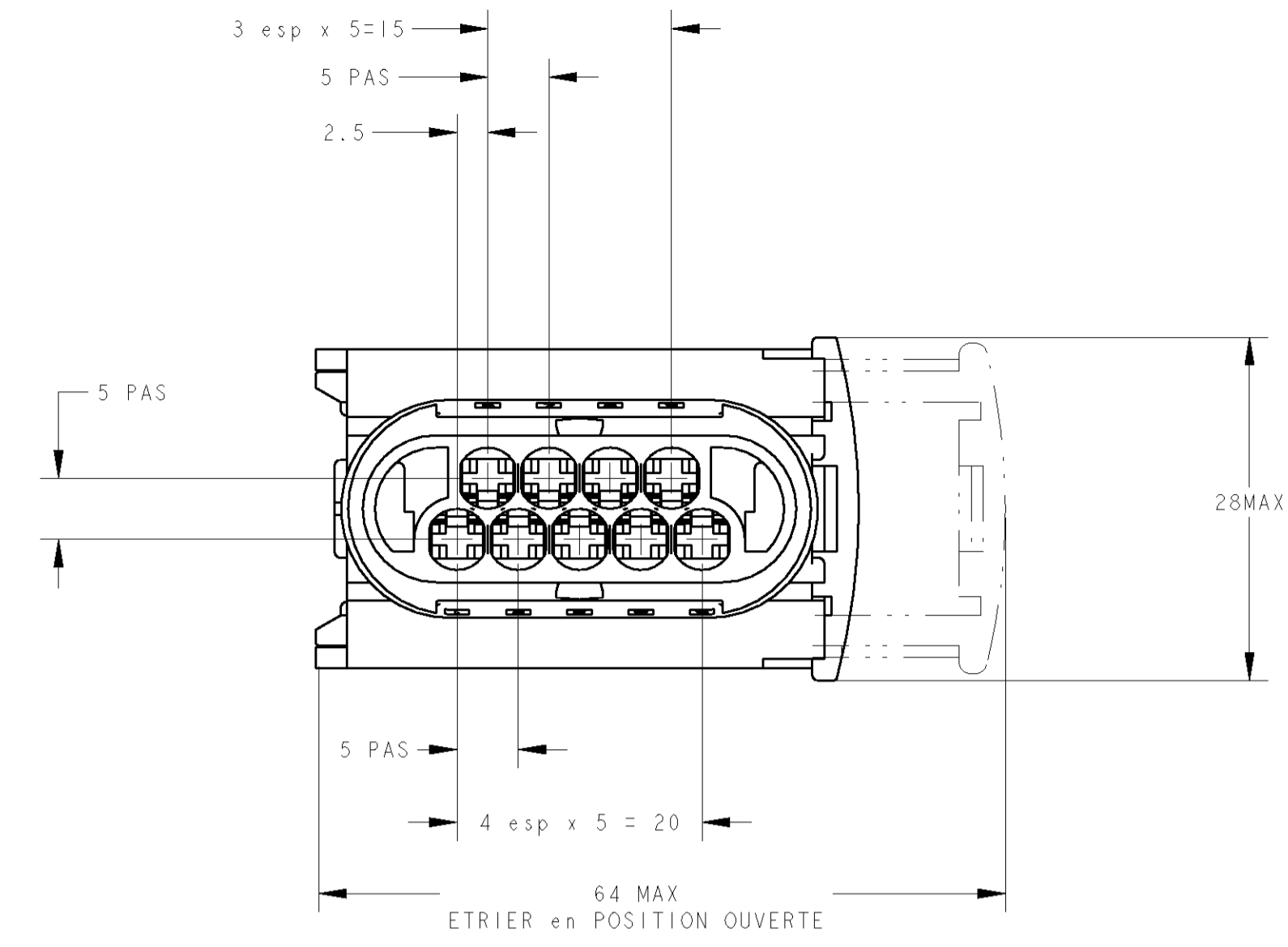


LOC	DIST	REVISIONS					
F	00	P	LTR	DESCRIPTION	DATE	DWN	APVD
		A		Ajouté Tol géné ±0.2	09DEC2002	BR	jjr
		B		SPEC 108-15201 etait 108-15021	12DEC2003	BR	JJR
		C		modif. 18±0.2	14 Mar 06	OP	XR

DESIGNATION COMPOSANT	REP	MATIERE	COULEUR	DETROMPAGE	COMPOSITION					
JOINT INTERFACE	1	SILICONE ELASTOMER	----	----	X	X	X	X	X	X
ETRIER	2	PBT	ROUGE	----	X	X	X	X	X	X
DOUBLE VERROUILLAGE	3	PBT	ROUGE	----	X	X	X	X	X	X
PORTE-CLIP	4	PBT	NOIR		X					
			BLANC			X				
			GRIS				X			
			VERT					X		
			MARRON						X	
			VIOLET							X



DIMENSIONS: mm		TOLERANCES UNLESS OTHERWISE SPECIFIED:		DWN: B.R.	Z1AUG2002		TYCO ELECTRONICS France SAS	
				CHK: J. DAHER	Z1AUG2002		BP 39, 95301 CERGY-PONTOISE Cedex	
MATERIAL	FINISH	PLC	PLC	APVD: J. DAHER	Z1AUG2002	NAME	PORTE-CLIPS 9 VOIES ETRIER	
		2 PAS	2 PAS	PRODUCT SPEC	108-15201	POUR CONTACTS J P T A JOINT		
		PLC	PLC	APPLICATION SPEC		SUR FIL		
		ANGLES	ANGLES	SIZE	CAGE CODE	DRAWING NO	RESTRICTED TO	
				WEIGHT	21 gr	A1 00779	C=953482	
				CUSTOMER DRAWING		SCALE	2:1	SHEET 1 OF 1 REV C