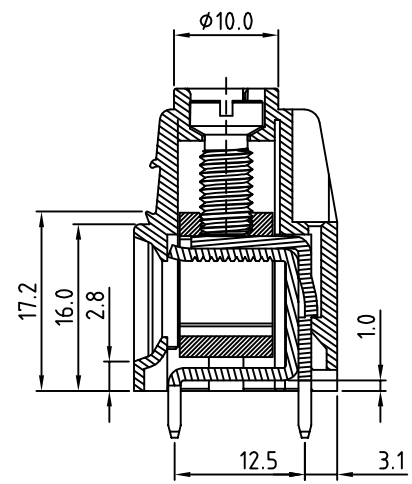
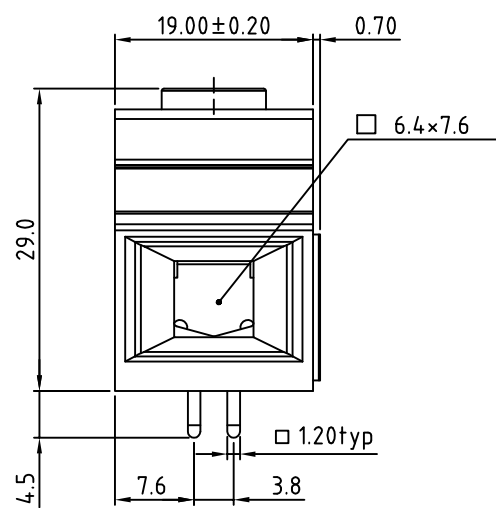
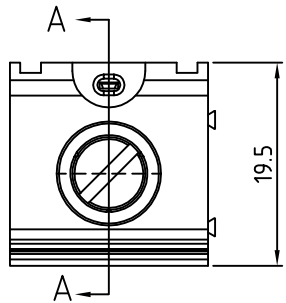
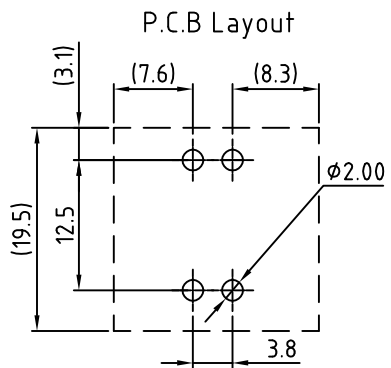


SIGN	DATE	DESCRIPTION	APPROVER
		<i>THIS IS CAD DRAWING, DO NOT REVISE MANUALLY!!!</i>	



SECTION A-A



- Material**
- Terminal body (metal housing) : Brass(CuZn)
  - Terminal screw : Steel Zinc plating "-" slot type
  - Contacts : Brass
  - Surface of solder tail : Tin plated
  - Insulator (housing) : Thermoplastic (UL94V-0)
- Electrical**
- Voltage rating : 600V
  - Current rating : 100A
  - Wire range :
    - Solid wire (AWG) : 3-18
    - Stranded wire (AWG) : 3-18
  - Torque (LB-In.) : 30
  - Screw : M5
  - Wire strip length : 12~15mm
  - Withstanding Voltage : 2.2KV
  - Operating temperature : -30°C+105°C
  - Soldering temperature : 250°C+10°C/5 Sec
  - Safety Approval: us

RoHS Compliant

PART NUMBER:

OSTEJXXD151

- |              |                     |
|--------------|---------------------|
| No. of Poles | COLOR               |
| 01: 1 Pole   | 0: Black            |
| :            | 5: Green (Standard) |
| :            | 6: Blue             |
| 24: 24 Poles | 8: Grey             |



THESE DRAWINGS AND SPECIFICATIONS ARE THE PROPERTY OF ON-SHORE TECHNOLOGY, INC. AND SHALL NOT BE REPRODUCED, COPIED OR USED IN ANY MANNER WITHOUT THE PRIOR WRITTEN CONSENT OF ON-SHORE TECHNOLOGY, INC.

TITLE		OSTEJ 19.0 Series			
PART NO.	OSTEJXXD151	DWG NO.	OSTEJXXD151.DWG		
APPROVED	CHECKED	DESIGNED	DRAWN	CUST NO.	Tolerance
Shi Jun 2006.10.23	Shi Jun 2006.10.23	Aaron 2006.10.23	Aaron 2006.10.23		X. ±0.50
					X.X ±0.30
					X.XX ±0.10
					X° ±1°
				SHEET: 01/01	UNIT: mm
					SCALE: NONE
					REV.: C