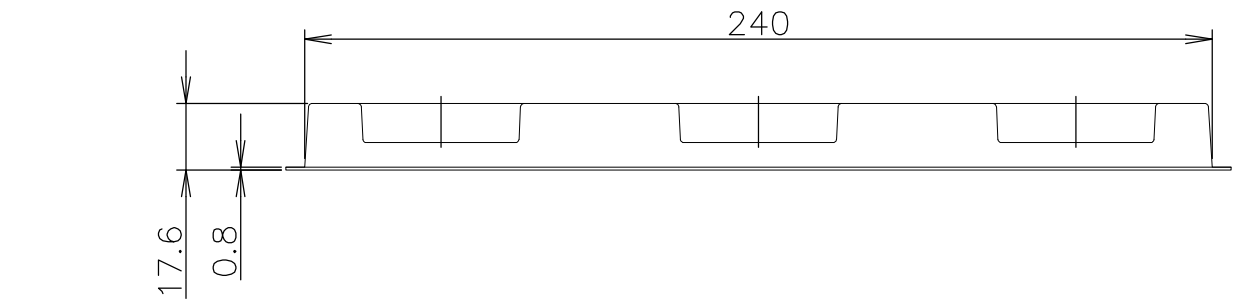
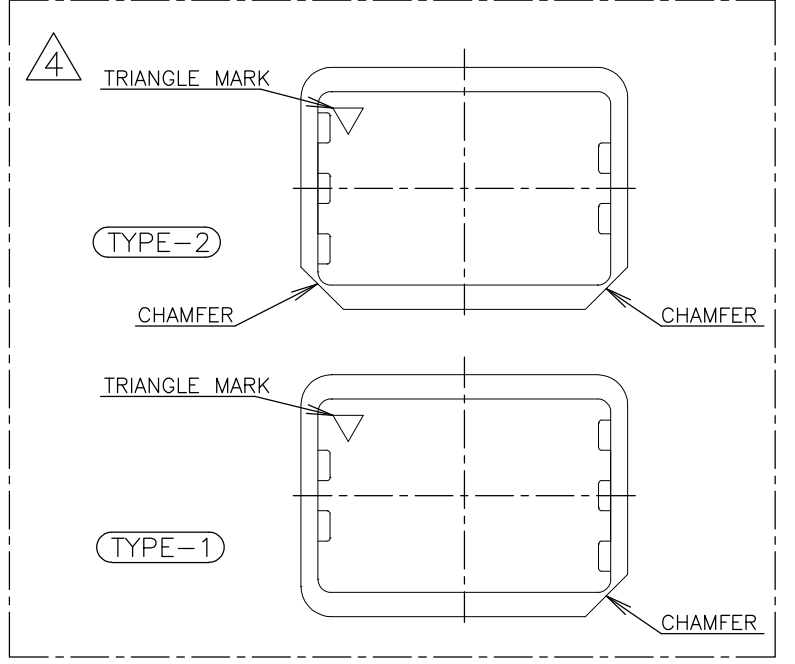
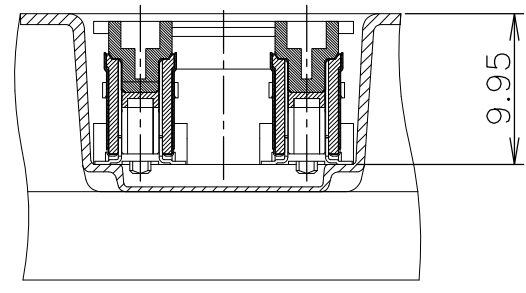
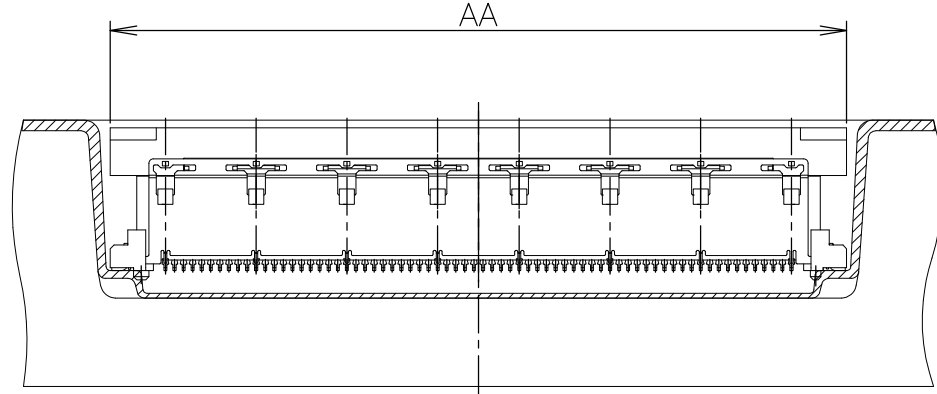
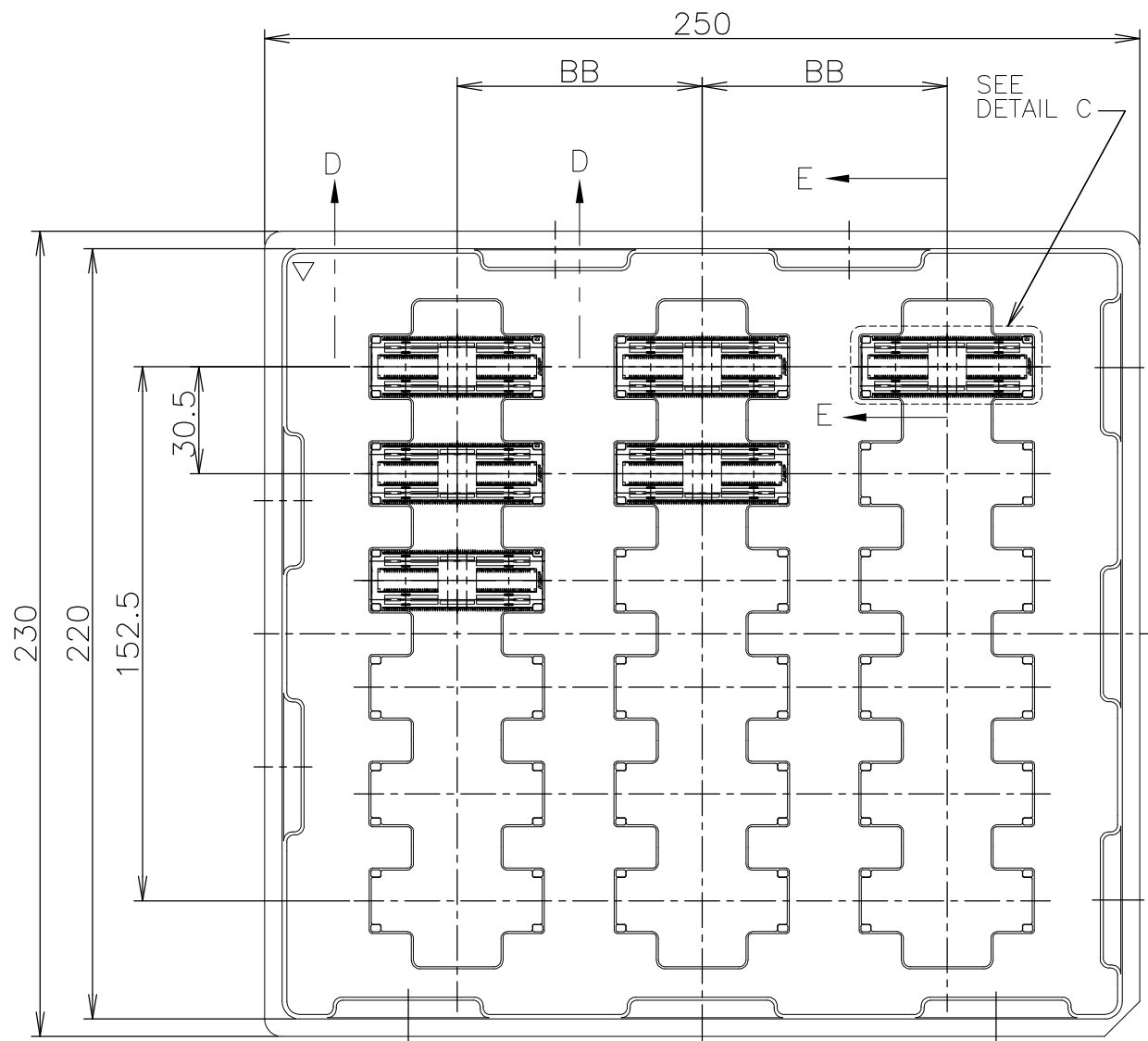


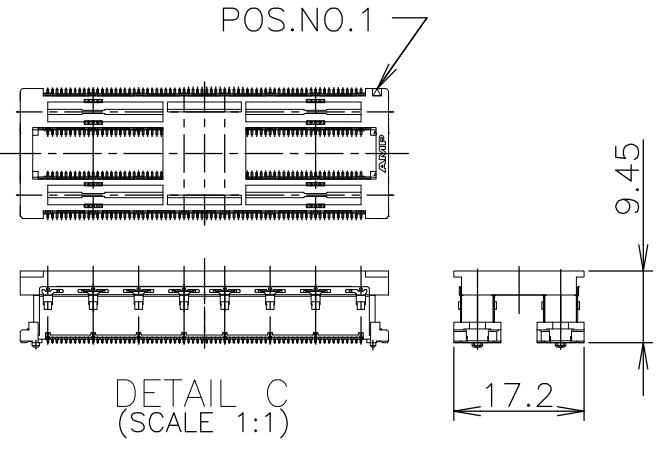
THIS DRAWING IS UNPUBLISHED. RELEASED FOR PUBLICATION JAN , 1997.
 © COPYRIGHT 1997 BY TYCO ELECTRONICS CORPORATION. ALL RIGHTS RESERVED.

LOC J	DIST	REVISIONS 変更			DATE	DWN	APVD
P	LTR	DESCRIPTION	DATE	DWN	APVD		
	A	REVISED ECR-08-000339	01FEB08	T.T	T.F		

AS SHOWN: TYPE-1



SEALANT	NOT AVAILABLE	3	18	70	54.7	320	6-5353727-1
	AVAILABLE	↑	↑	↑	48.7	280	6- ↑ -0
	NOT AVAILABLE	↓	↓	↓	42.7	240	5- ↓ -9
	NOT AVAILABLE	3	18	70	36.7	200	5-5353727-8
NON SEALANT	NOT AVAILABLE	3	18	70	54.7	320	1-5353727-1
	AVAILABLE	↑	↑	↑	48.7	280	1- ↑ -0
	NOT AVAILABLE	↓	↓	↓	42.7	240	↓ -9
	NOT AVAILABLE	3	18	70	36.7	200	5353727-8
SEALANT	TOOLING STATUS	ROW	QTY	BB	AA	POS.	PART NO.



GENERAL TOLERANCE
一般公差

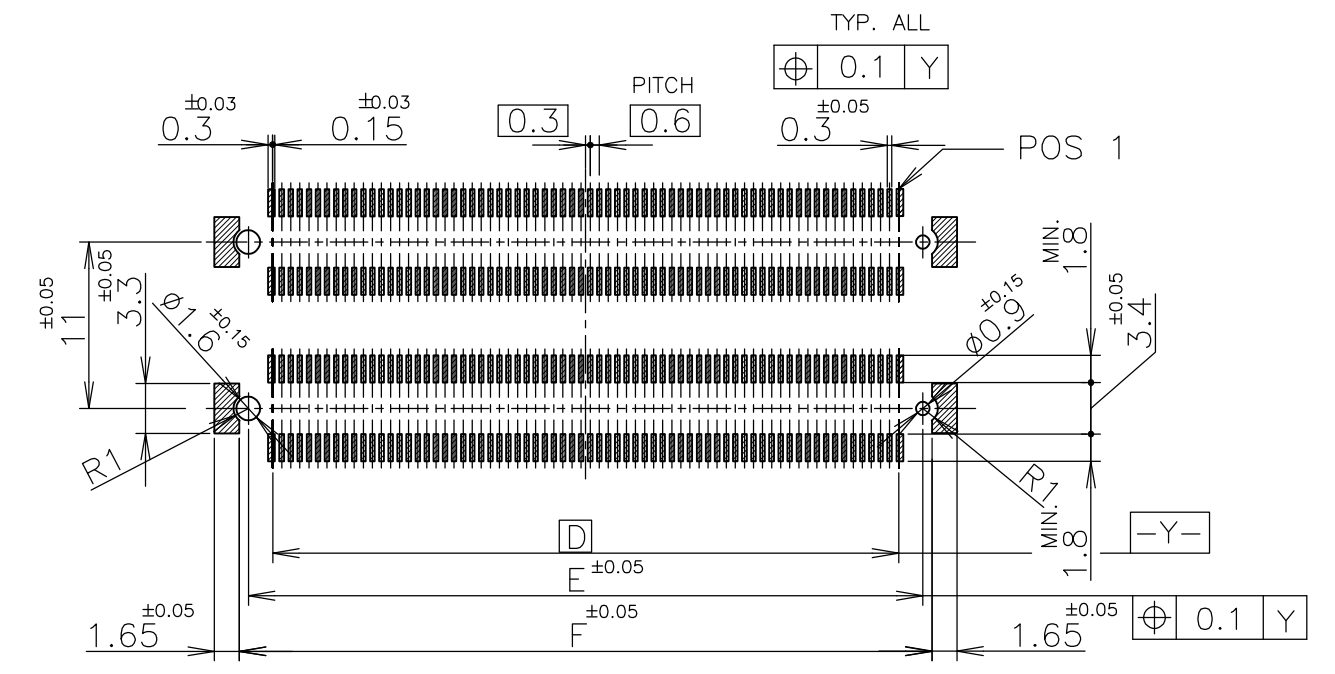
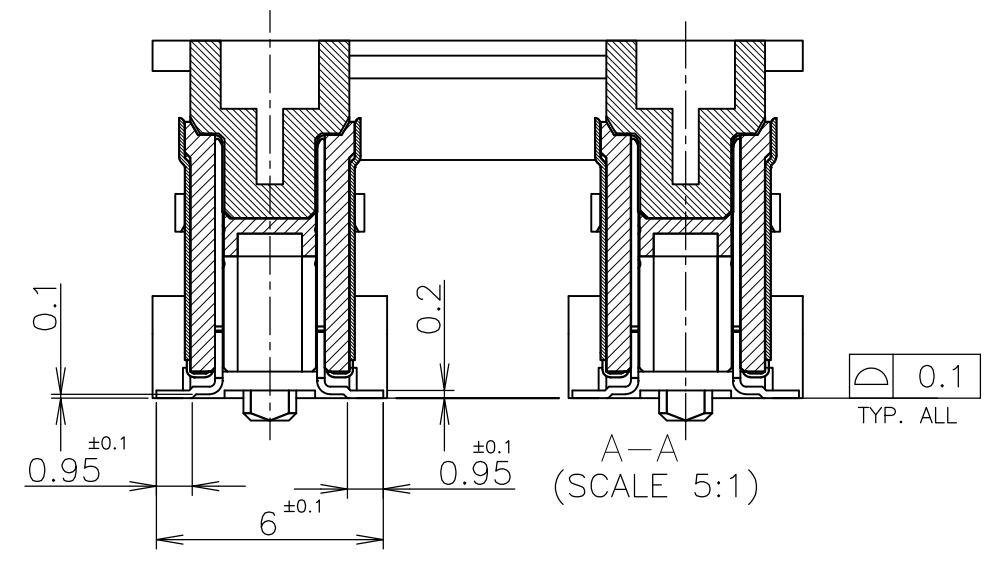
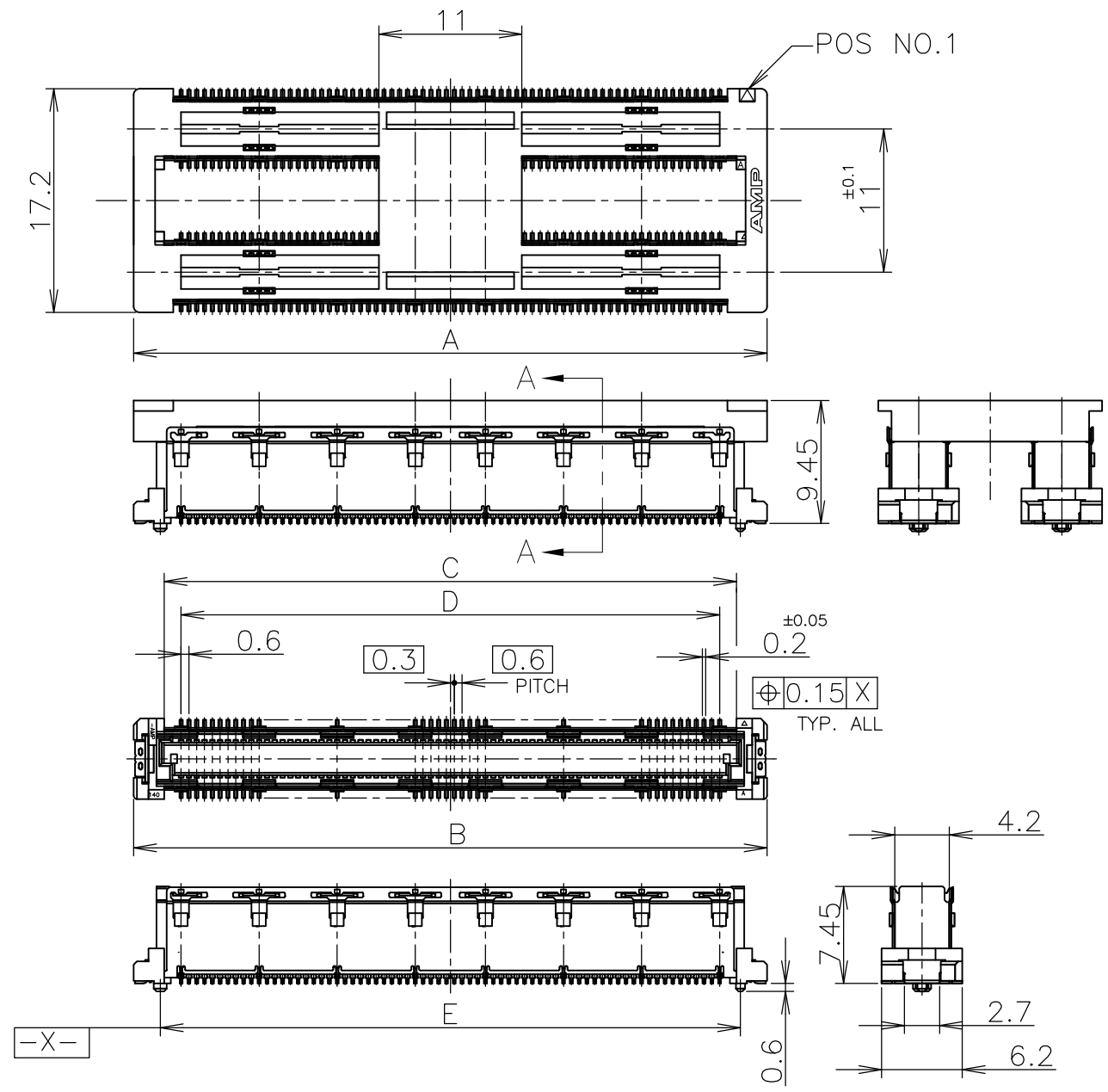
10 ≥ ±0.2
30 ≥ >10: ±0.25
100 ≥ >30: ±0.3
ANGLES: ±3°

THIS DRAWING IS A CONTROLLED DOCUMENT.

DIMENSIONS: 单位: 耗 mm	TOLERANCES UNLESS OTHERWISE SPECIFIED: 一般公差	DWN LEO ZHOU 17NOV04	Tyco Electronics Corporation Kawasaki, Japan	
	0 PLC ± - 1 PLC ± - 2 PLC ± - 3 PLC ± - 4 PLC ± - ANGLES ± -	CHK STEVEN YAO 17NOV04	NAME I.ENOMOTO	
	MATERIAL 材料	APVD I.ENOMOTO 17NOV04	PRODUCT SPEC 製品規格 108-60047	
	FINISH 仕上	APPLICATION SPEC 取付適用規格 114-5255	SIZE A3	CAGE CODE 00779
		WEIGHT	DRAWING NO G-5353727	RESTRICTED TO
		CUSTOMER DRAWING	SCALE 尺度 1:2	SHEET 1 OF 3

THIS DRAWING IS UNPUBLISHED. RELEASED FOR PUBLICATION JAN , 1997.
 © COPYRIGHT 1997 BY TYCO ELECTRONICS CORPORATION. ALL RIGHTS RESERVED.

LOC	DIST	REVISIONS		
		P	LTR	DESCRIPTION
J		-	SEE SHEET 1	
				DATE
				DWN
				APVD



REFERENCE P.C.BOARD LAYOUT

51.8	50.6	47.4	50	54.7	54.7	320	1-5353727-1	&	6-5353727-1
45.8	44.6	41.4	44	48.7	48.7	280	1- ↑ -0	&	6- ↑ -0
39.8	38.6	35.4	38	42.7	42.7	240		&	5- -9
33.8	32.6	29.4	32	36.7	36.7	200	5353727-8	&	5-5353727-8
F	E	D	C	B	A	POS	PART NO.		

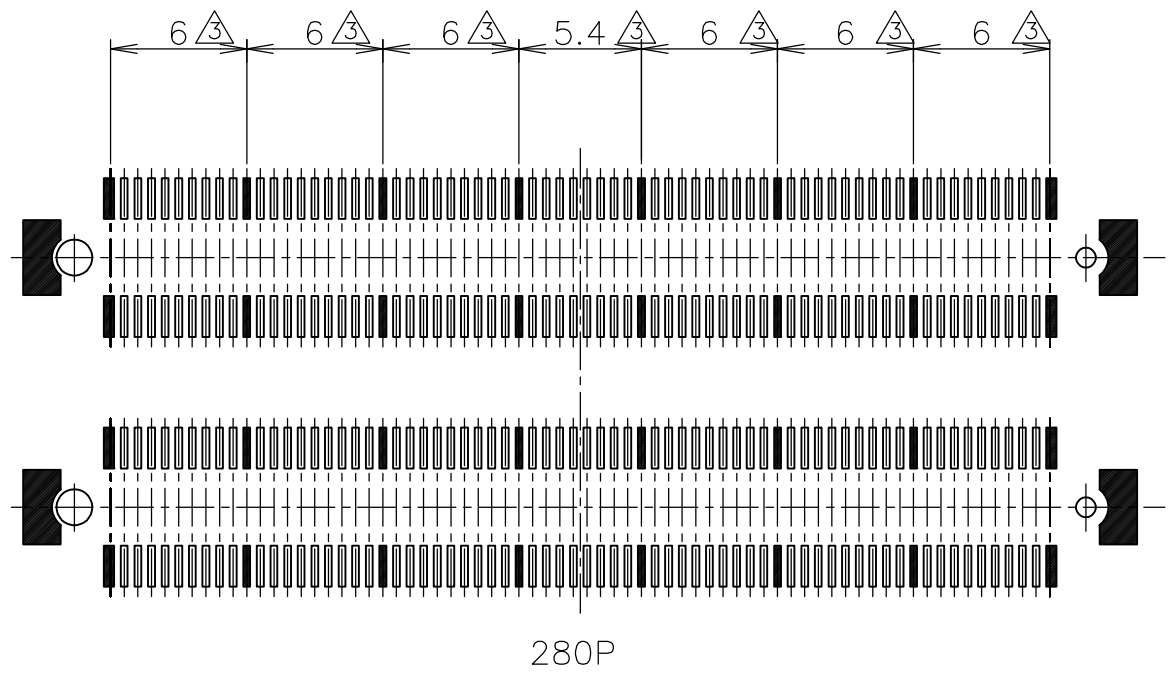
- ① MATERIAL ; HOUSING : HIGH TEMP THERMO PLASTIC UL94V-0
CONTACT : COPPER ALLOY
- ② FINISH ; UNDER PL Ni 0.0013mm MIN ALL OVER.
CONTACT AREA 0.0002 MIN Au PL.
SOLDERING AREA 0.001 MIN TIN PL.
- ③ THIS POSITION IS GROUND CIRCUIT.
- ④ TRAY TYPE-1 AND TYPE-2 MUST BE
PILED UP BY TURNS.
(REFER TO PACKING SPECIFICATIONS)

THIS DRAWING IS A CONTROLLED DOCUMENT.

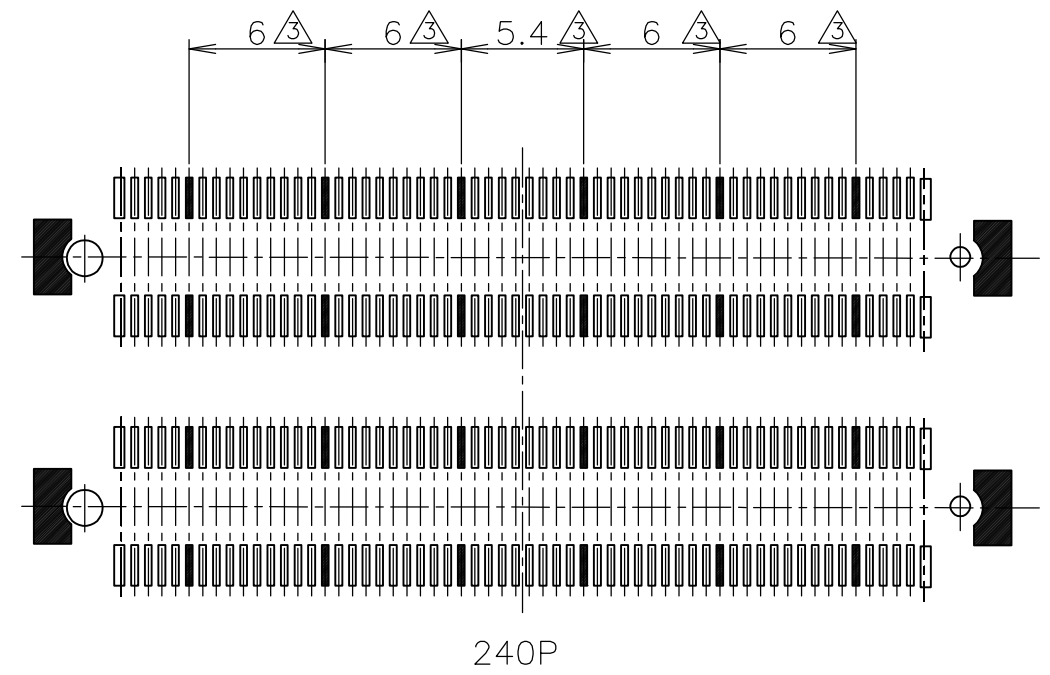
DIMENSIONS: 単位: 耗 mm	TOLERANCES UNLESS OTHERWISE SPECIFIED: 一般公差	DWN	Tyco Electronics Tyco Electronics Corporation Kawasaki, Japan	
	0 PLC ± - 1 PLC ± - 2 PLC ± - 3 PLC ± - 4 PLC ± - ANGLES ± -	CHK	NAME 名称	
MATERIAL 材料	FINISH 仕上	APVD	SOFT TRAY ASSY FH 0.6BTB CONNECTOR PLUG 8H W/G-PLATE 2ROW TYPE	
①	②	PRODUCT SPEC 製品規格	SIZE	RESTRICTED TO
		APPLICATION SPEC 取付適用規格	A3	
		WEIGHT	CAGE CODE	
		CUSTOMER DRAWING	00779	
			DRAWING NO	
			G-5353727	
			SCALE 尺度 2:1	
			SHEET 2 OF 3	
			REV A	

THIS DRAWING IS UNPUBLISHED. RELEASED FOR PUBLICATION JAN , 1997.
 © COPYRIGHT 1997 BY TYCO ELECTRONICS CORPORATION. ALL RIGHTS RESERVED.

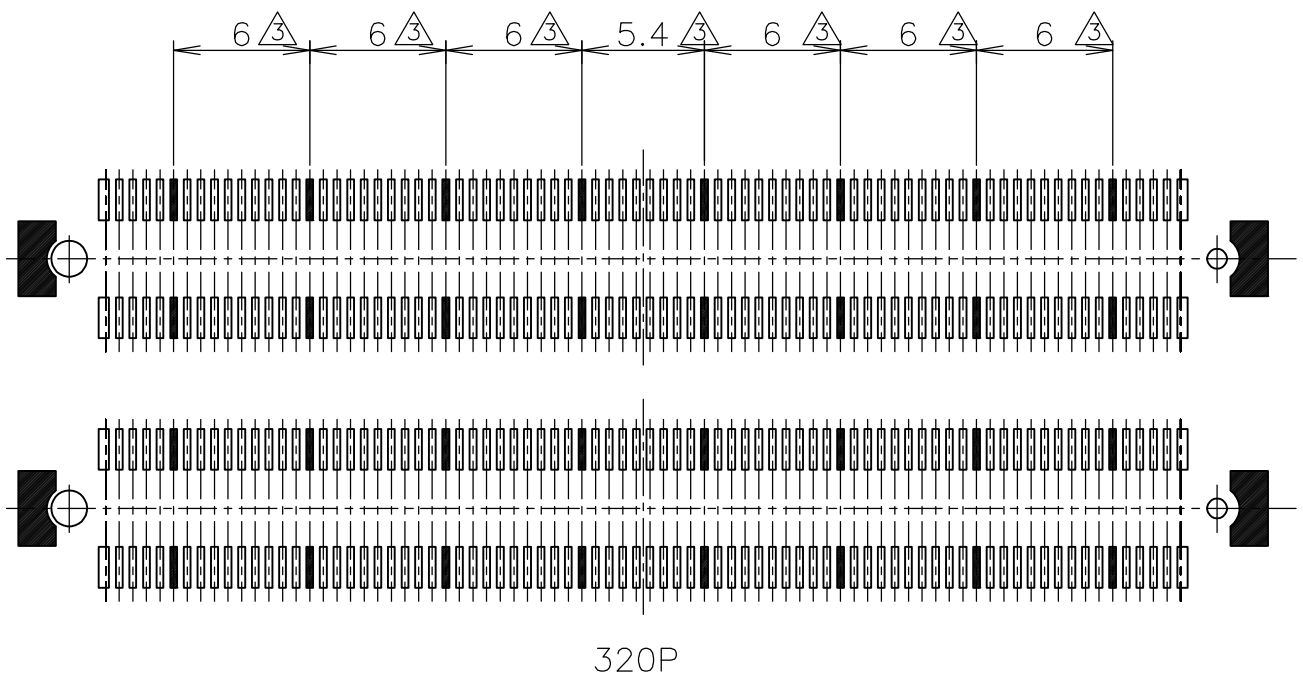
LOC	DIST	REVISIONS 変更			DATE	DWN	APVD
J		P	LTR	DESCRIPTION			
			-	SEE SHEET 1	-	-	-



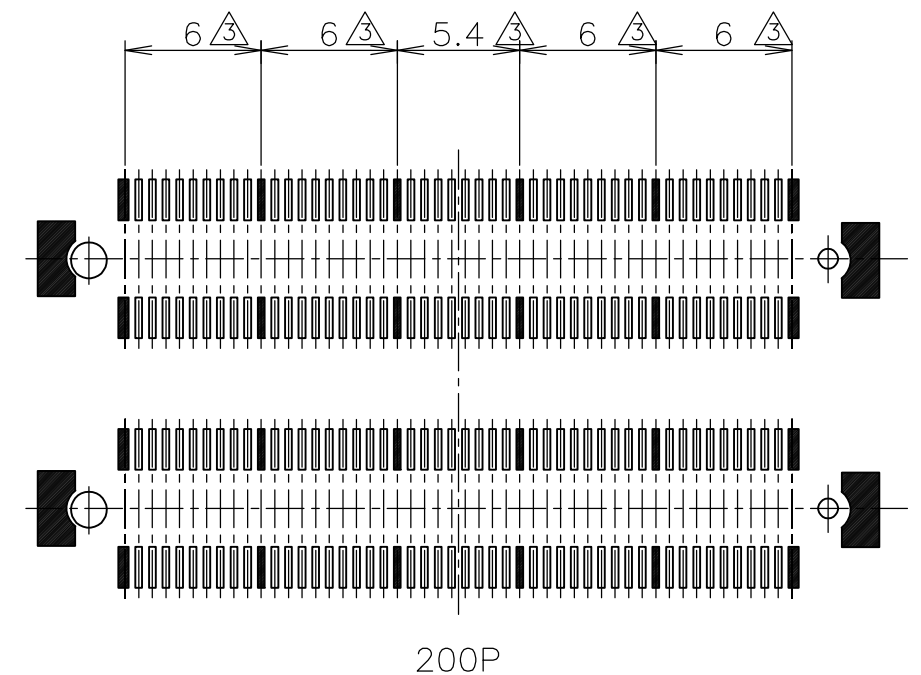
280P



240P



320P



200P

THIS DRAWING IS A CONTROLLED DOCUMENT.		DWN	Tyco Electronics Corporation Kawasaki, Japan		
DIMENSIONS: 単位: 耗 mm		CHK	NAME 名称		
TOLERANCES UNLESS OTHERWISE SPECIFIED: 一般公差		APVD	SOFT TRAY ASSY FH 0.6BTB CONNECTOR PLUG 8H W/G-PLATE 2ROW TYPE		
0 PLC ± -		PRODUCT SPEC 製品規格	SIZE	CAGE CODE	DRAWING NO 番号
1 PLC ± -		APPLICATION SPEC 取付適用規格	A3	00779	G-5353727
2 PLC ± -		WEIGHT	RESTRICTED TO		
3 PLC ± -		CUSTOMER DRAWING	SCALE 3:1		
4 PLC ± -			SHEET 3 OF 3		
ANGLES ± -			REV A		
MATERIAL 材料	FINISH 仕上				
①	②				