

CKCM25X8R1H471M060AK

TDK Item Description : CKCM25X8R1H471MT***S

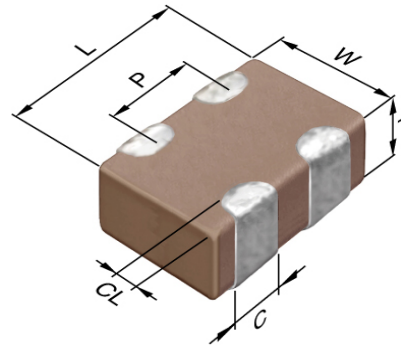


Application & Main Feature

Commercial Grade (2 in 1 Array)

Series

CKCM25



Dimensions

L 1.37mm +/-0.15mm
 W 1.00mm +/-0.15mm
 T 0.60mm +/-0.1mm
 C 0.36mm Nom.
 P 0.64mm Nom.

Temperature Characteristic

X8R (-55 to 150 degC +/-15%)

Rated Voltage

1H (50Vdc)

Capacitance

470pF

Capacitance Tolerance

M (+/-20%)

Dissipation Factor

3% Max.

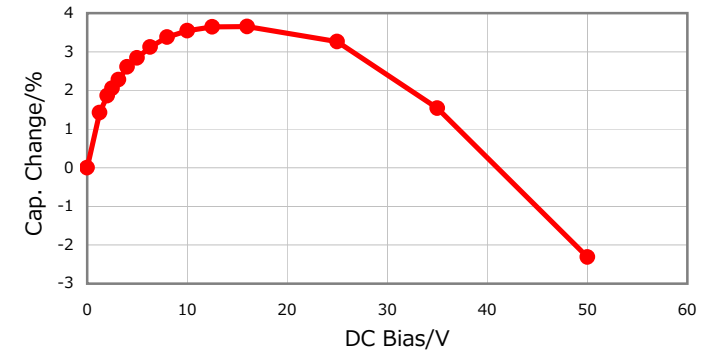
Insulation Resistance

10Gohm Min.

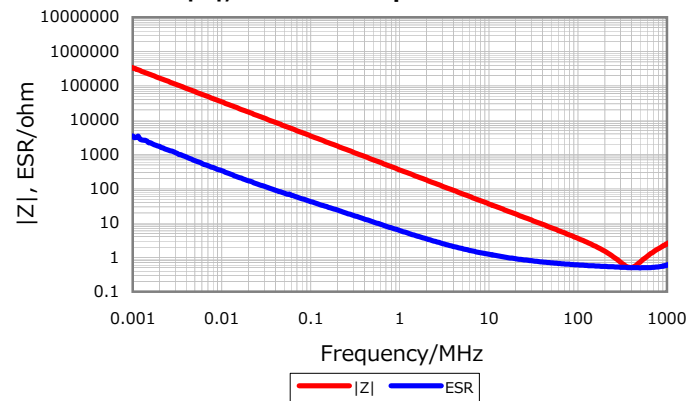
AEC-Q200

Not Applicable

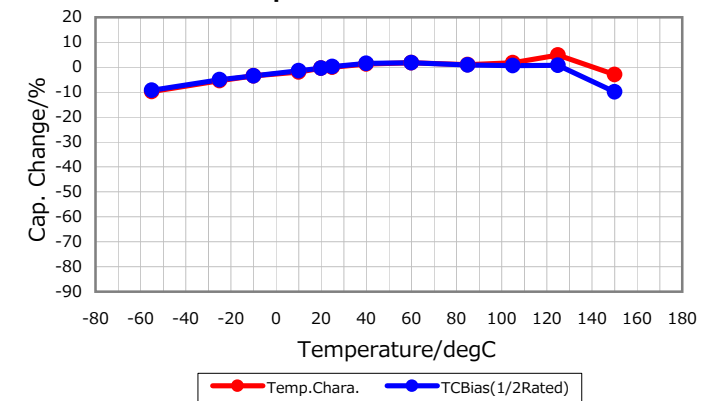
DC Bias Characteristic



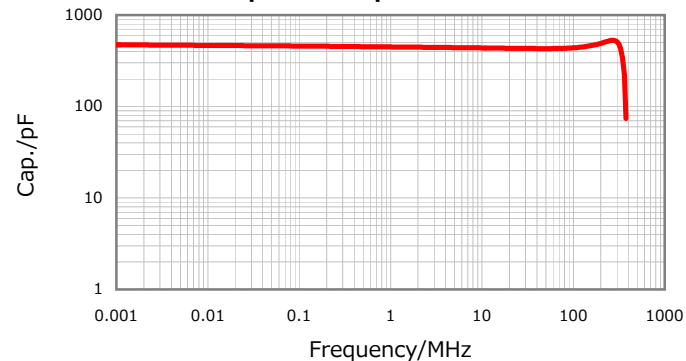
|Z|, ESR vs. Freq. Characteristics



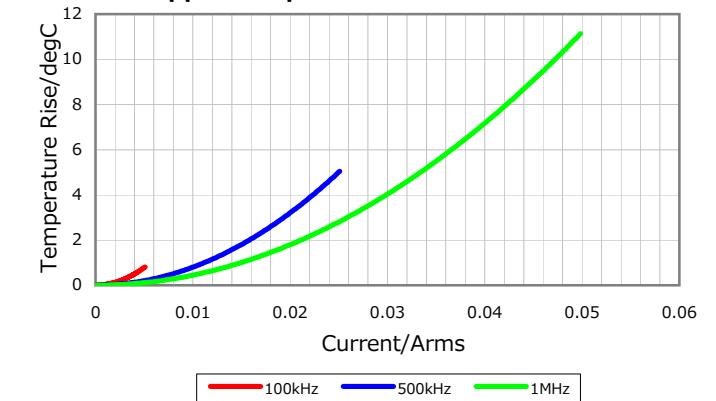
Temperature Characteristics



Cap. vs. Freq. Characteristic



Ripple Temperature Rise Characteristics



Characterization Sheet (Multilayer Ceramic Chip Capacitors)



⚠ All specifications are subject to change without notice.

January 4, 2016