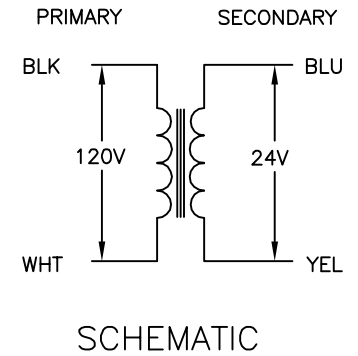
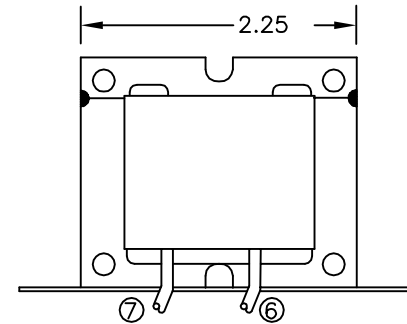
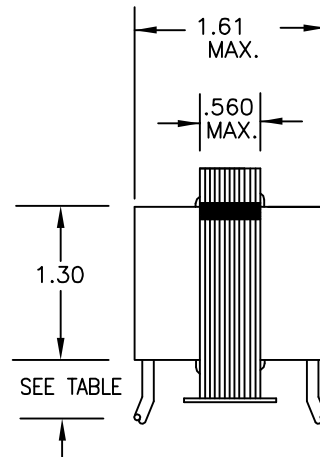
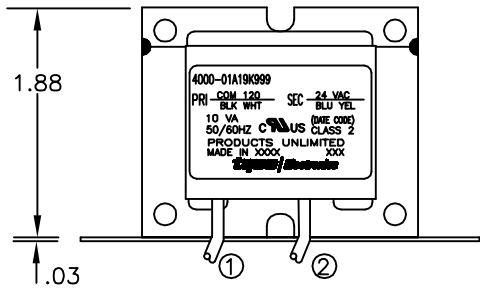
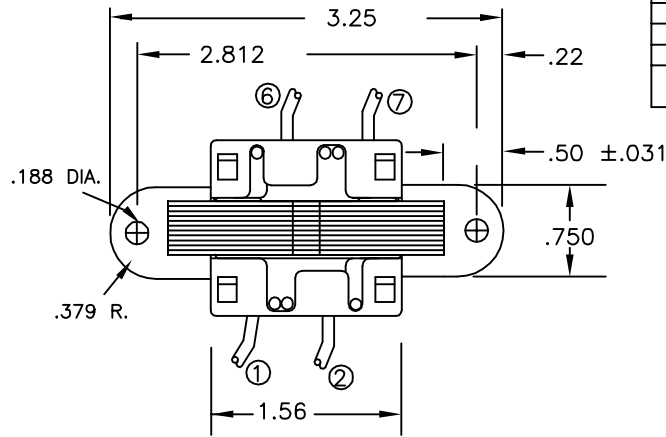


THIS DRAWING IS UNPUBLISHED. RELEASED FOR PUBLICATION  
 © COPYRIGHT - BY TYCO ELECTRONICS CORPORATION. ALL RIGHTS RESERVED.

LOC	DIST	REVISIONS					
GZ	00	P	LTR	DESCRIPTION	DATE	DWN	APVD
		B		EC0720-0195-04	30MAR04	MD	WS

ALL LEADS 18AWG-UNLESS OTHERWISE SPECIFIED					NOTES 1. DIMENSIONS FOR REFERENCE ONLY. 2. ALL LEADS +1"/-0" TOL. 3. STRIP TOL. ±1/32 4. WINDING PROTECTION-INHERENTLY LIMITING				CERTIFICATION: UL & CUL FILE NO. E87824				
PRIMARY					SECONDARY								
LEAD NO.	1	2	3	4	5	LEAD NO.	6	7	8	9			
VOLTAGE	COM	120				VOLTAGE	24	VAC					
COLOR	BLK	WHT				COLOR	BLU	YEL					
LENGTH	12.0	12.0				LENGTH	12.0	12.0					
STRIP LENGTH	.50	.50				STRIP LENGTH	.50	.50					



TYCO PART NUMBER  
1611447-7

THIS DRAWING IS A CONTROLLED DOCUMENT.		DWN	10JUN03	Tyco Electronics Corporation	
		CHK	10JUN03	Harrisburg, Pa 17105-3608	
DIMENSIONS:		APVD	10JUN03	NAME	
INCHES		W.SORAH		TRANSFORMER OUTLINE	
TOLERANCES UNLESS OTHERWISE SPECIFIED:		PRODUCT SPEC			
0 PLC ± -		APPLICATION SPEC			
1 PLC ± -		WEIGHT			
2 PLC ± -		CUSTOMER DRAWING			
3 PLC ± -		SIZE	A3	CAGE CODE	00779
4 PLC ± -		DRAWING NO	C=4000-01A19K999		
ANGLES ± -		RESTRICTED TO			
FINISH		SCALE	1:1		
		SHEET	1 OF 1		
		REV	B		