

NOTES:

1.0 SPECIFICATIONS:

1.1 FREQUENCY RANGE: DC to 18.0GHz

1.2 ATTENUATION VALUES: 1 THRU 30dB  
IN 1dB INCREMENTS

1.3 ATTENUATION ACCURACY:

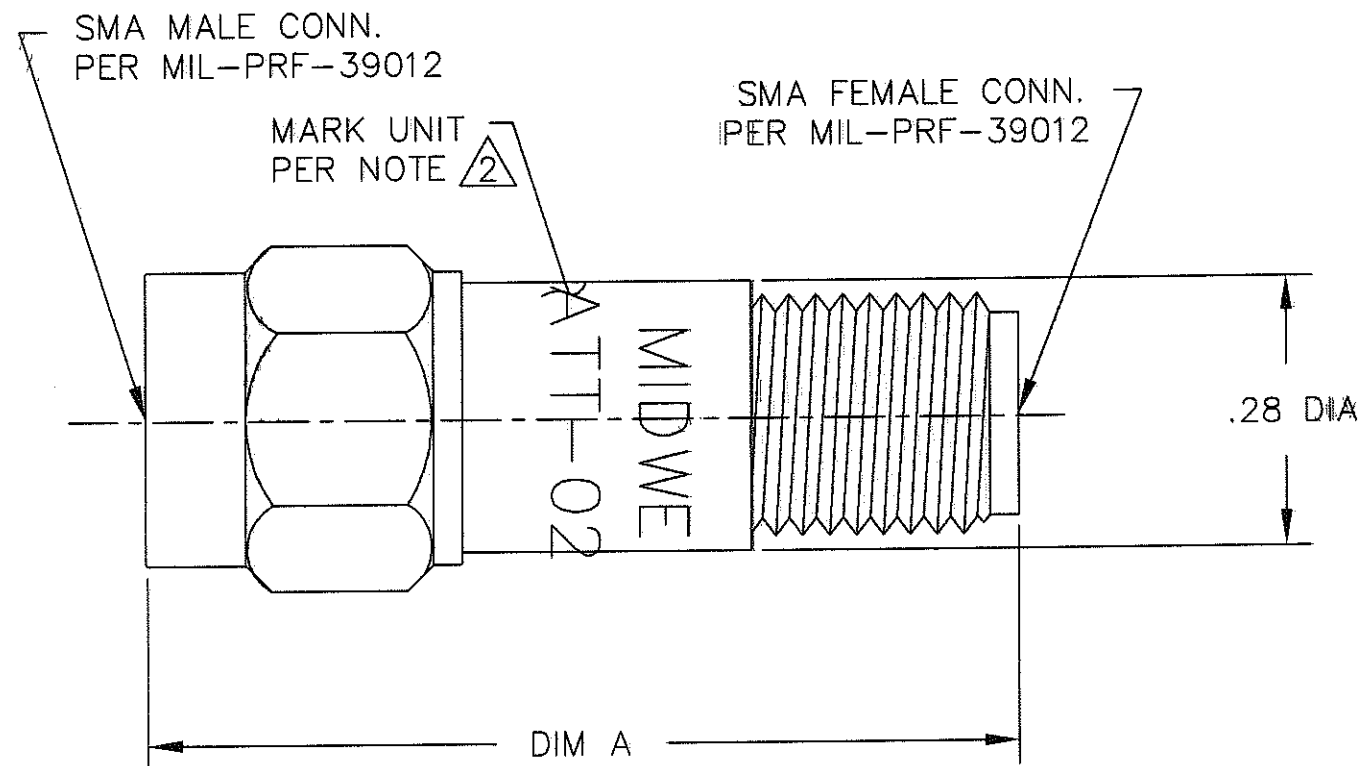
1-6dB ±0.3dB  
7-20dB ±0.5dB  
21-30dB ±1.0dB

1.4 MAXIMUM VSWR:  
1.07+.015f(GHz)

1.5 MAXIMUM INPUT POWER: 2 WATTS AVG.  
AT +25°C DERATED LINEARLY TO 0.5  
WATTS AT +125°C

1.6 OPERATING TEMP. RANGE: -65°C to +125°C

△ MARKING:  
2.1 MARK UNIT AS SHOWN  
(REF: INK-09009-27-XX)



ATTENUATION VALUE	DIM A
1 - 12dB	.750
13 - 30dB	.875

REV.	DESCRIPTION	DATE
-	RELEASED	8/3/91
A	EON 11574	2/18/92
B	EON 11737	4/13/92
C	EON 12138	11/4/92
C1	ADDED TITLEBLOCK	3/22/05
D	EON 21185	1/10/07

UNLESS OTHERWISE NOTED DIMENSIONS ARE IN INCHES AND TOLERANCES ARE:  3 PLACE DECIMALS ±.005 2 PLACE DECIMALS ±.02 FRACTIONS ±1/64 PARALLELITY: T.I.R. _____ FLATNESS: T.I.R. _____ CONCENTRICITY: T.I.R. _____ ANGLES AND PERPENDICULARITY: ±1'	IFSCM NO. <b>34078</b>	<b>MIDWEST MICROWAVE</b>		
	NOTICE: The information contained in this drawing is proprietary and must not be used without the permission of Midwest Microwave		TITLE <b>ATTENUATOR</b>	
	DRAWN/DATE C. RICKARD 7/31/91	ENG./DATE G. KOZAK 8/2/91	DRAWING NUMBER ATT-0275-XX-SMA-02	
	CHECKED/DATE A. BEATTY 8/2/91	APPROVED/DATE	SCALE: 5=1	SHEET 1 of 1