

DETAILS

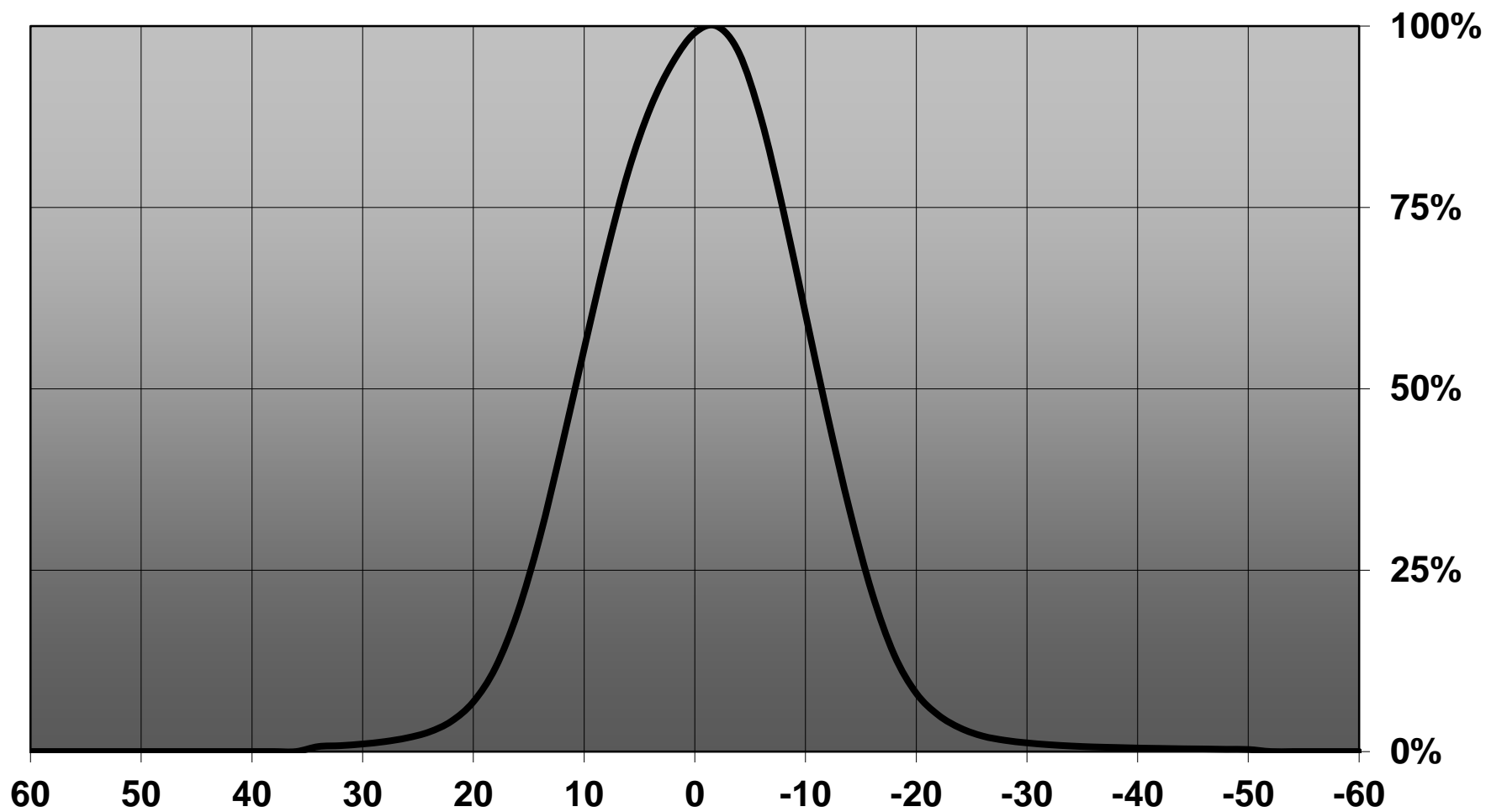
Product Number	CA14510_G2-LXP2-M
Family	Leila
Type	Assembly
Color	black
Diameter	21,8 mm
Height	14,7 mm
Style	round
Optic Material	
Holder Material	
Fastening	tape
Status	production ready
ROHS Compliant	Yes
Date Updated	23/02/2015



OPTICAL PROPERTIES

LED	Viewing	Light	Effi-		Connector
	Angle	Beam	ciency	cd/lm	
XP-E	22 deg	Medium	88 %	5.170	-
XP-G2	sim: 25	Medium	sim: 94 %	sim: 4.800	-
XT-E	sim: 26	Medium	sim: 90 %	sim: 4.300	-
H35C1 (LEMWA33)	sim: 25	Medium	sim: 91 %	sim: 4.400	-
NVSxx19B/NVSxx19C	sim: 25	Medium	sim: 87 %	sim: 4.000	-
LH351B	sim: 25	Medium	sim: 90 %	sim: 4.400	-
LH351A(3535)	sim: 25	Medium	sim: 41 %	sim: 4.500	-
Z5P	sim: 26	Medium	sim: 91 %	sim: 4.400	-
Z5M1/Z5M2	sim: 24	Medium	sim: 92 %	sim: 4.800	-

Relative intensity of CA14510_G2-LXP2-M_(XP-E)



D

C

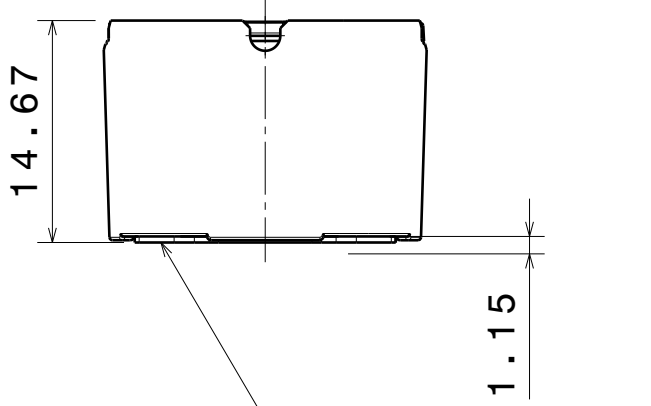
B

A

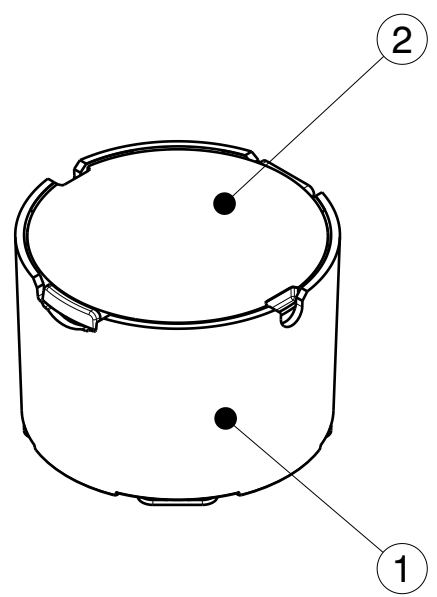
Applies to:
CA14504
CA14506
CA14508
CA14510
CA14512

4

4



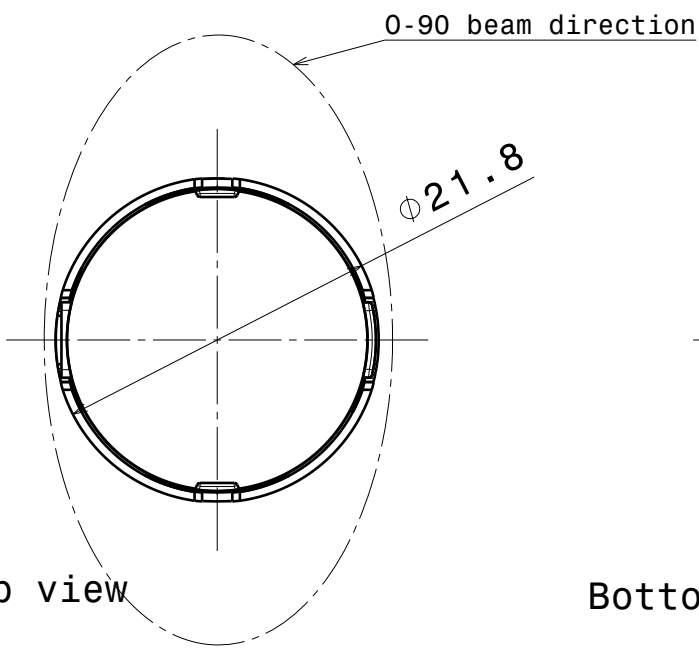
Front view



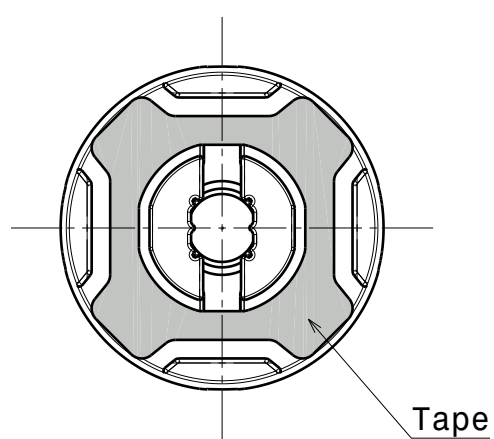
Isometric view

3

3



Top view



Bottom view

2

2

INDEX	PART NO	DESCRIPTION	MATERIAL	COLOUR
1	C14444	LXP2-LT-HLD	PC	black
2	-	LXP2-series_mech lens	PMMA	clear

Tolerances if not otherwise shown
 According to DIN ISO 2768-1
 Linear measures:
 up to 30mm class M, otherwise class C
 According to DIN ISO 2768-2
 Form and position: class L

LEDiL LediL Oy
 Salorankatu 10
 FIN 24240 SALO
 Finland

THIRD ANGLE PROJECTION:

DRAWING TITLE
LEILA-G2-LXP2

This drawing is the property of LEDiL Oy. It may not be reproduced, copied or communicated without a written agreement with LEDiL Oy.

SIZE	PART NUMBER
A4	-

SCALE	2:1	WEIGHT	4,0 g	SHEET	1/1
-------	-----	--------	-------	-------	-----

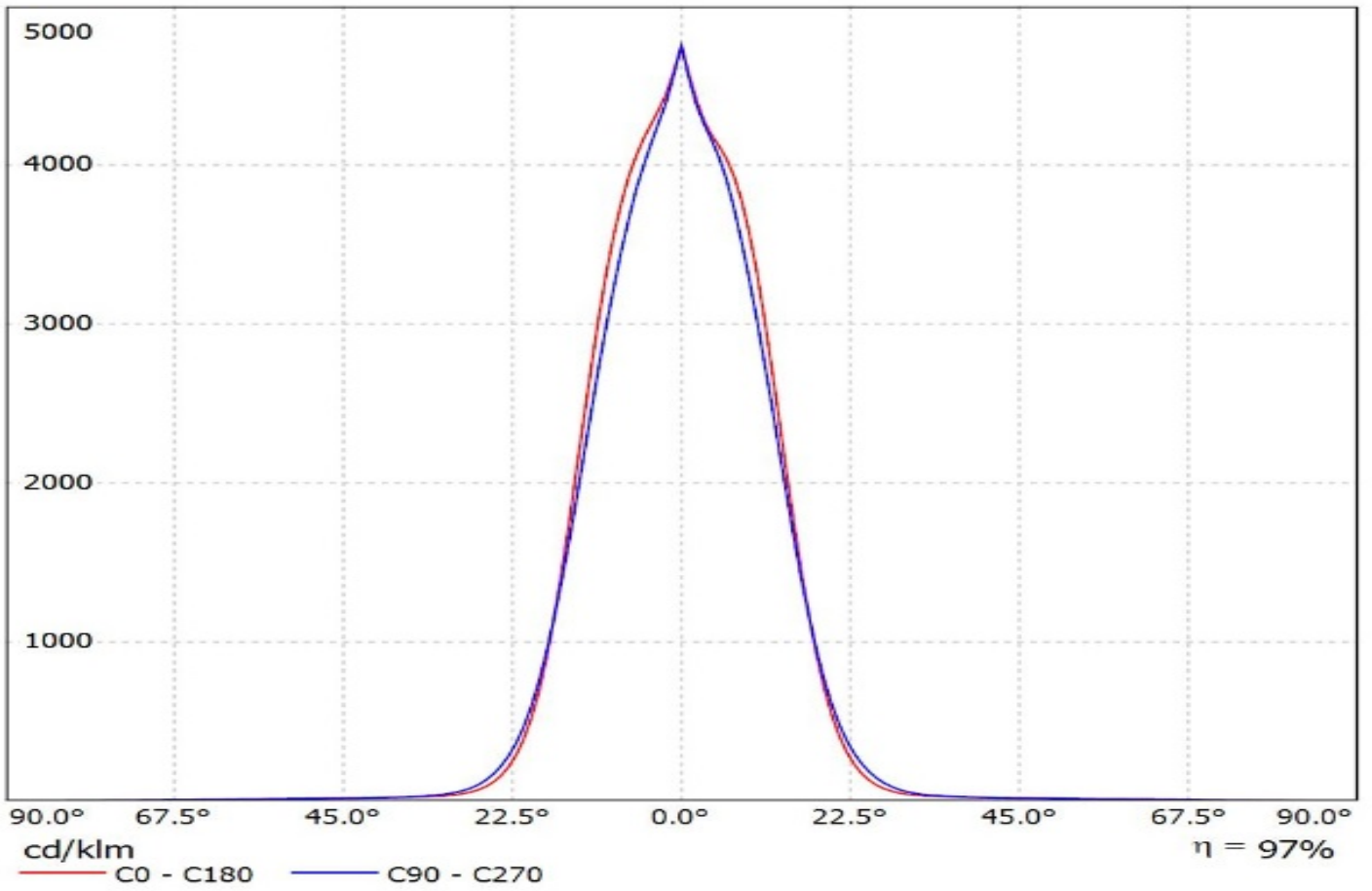
1

1

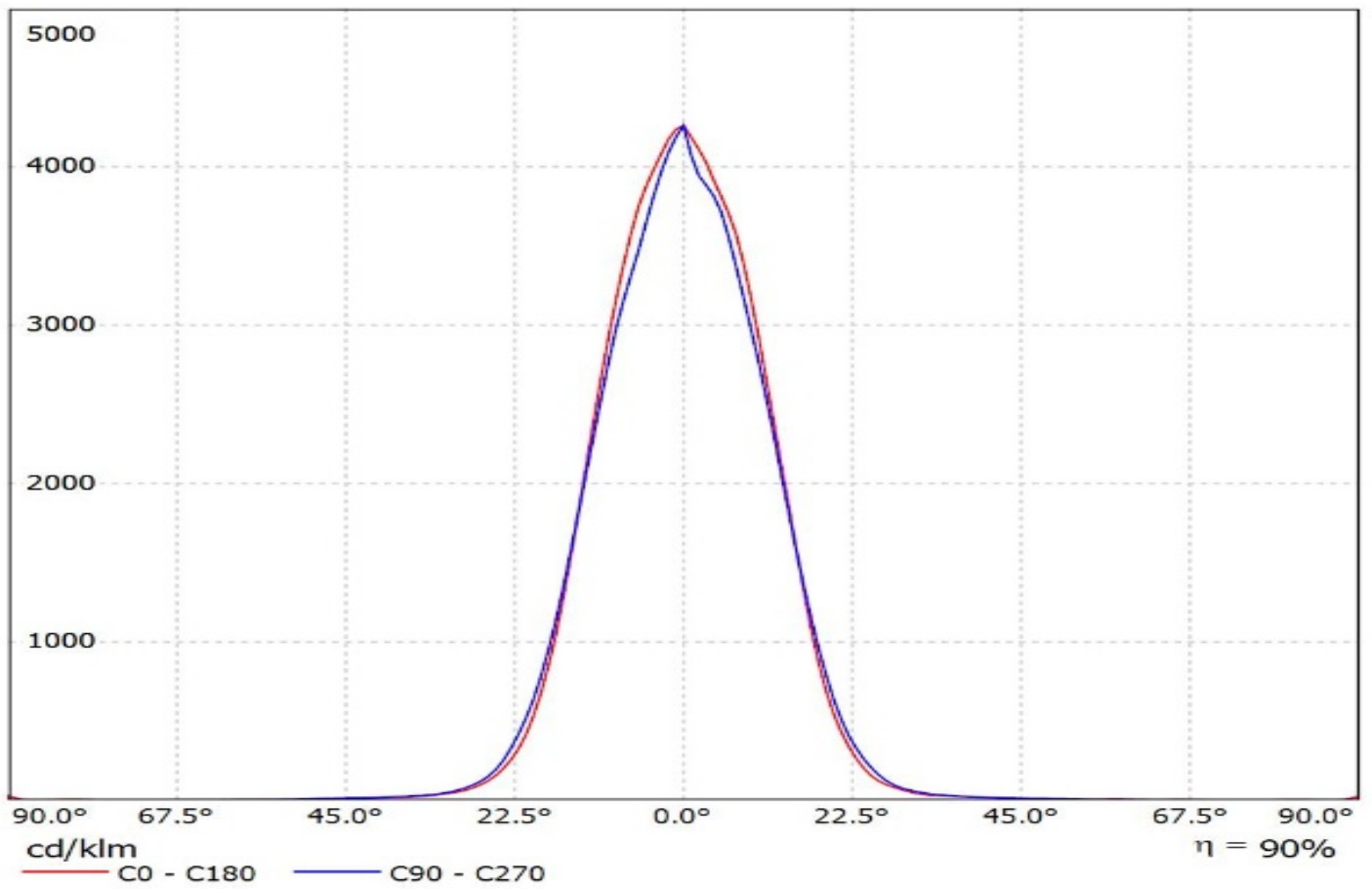
D

A

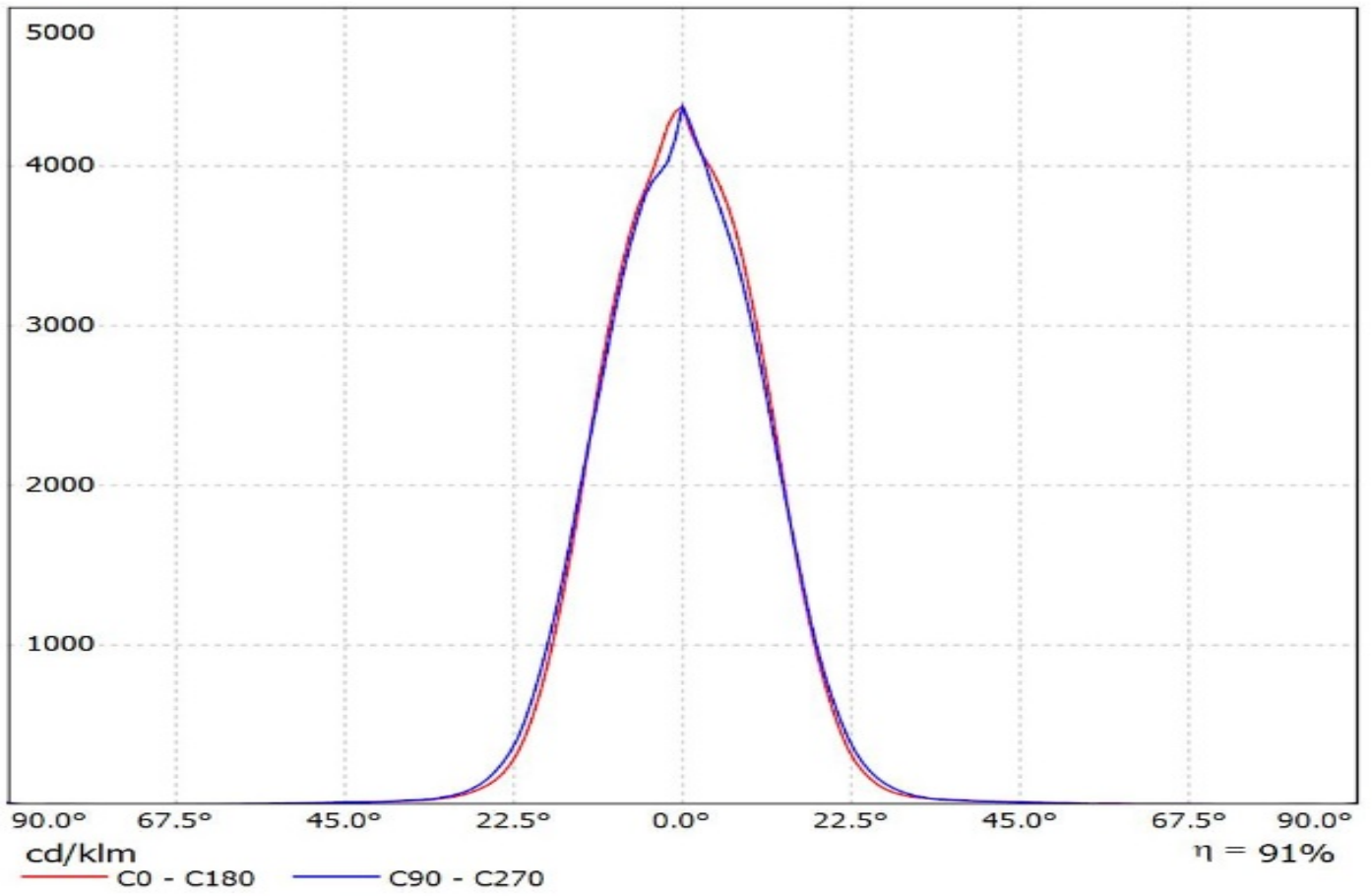
Luminaire: Ledil Oy CA14510_G2-LXP2-M-XPG2_SIMULATED
Lamps: 1 x Cree XP-G2



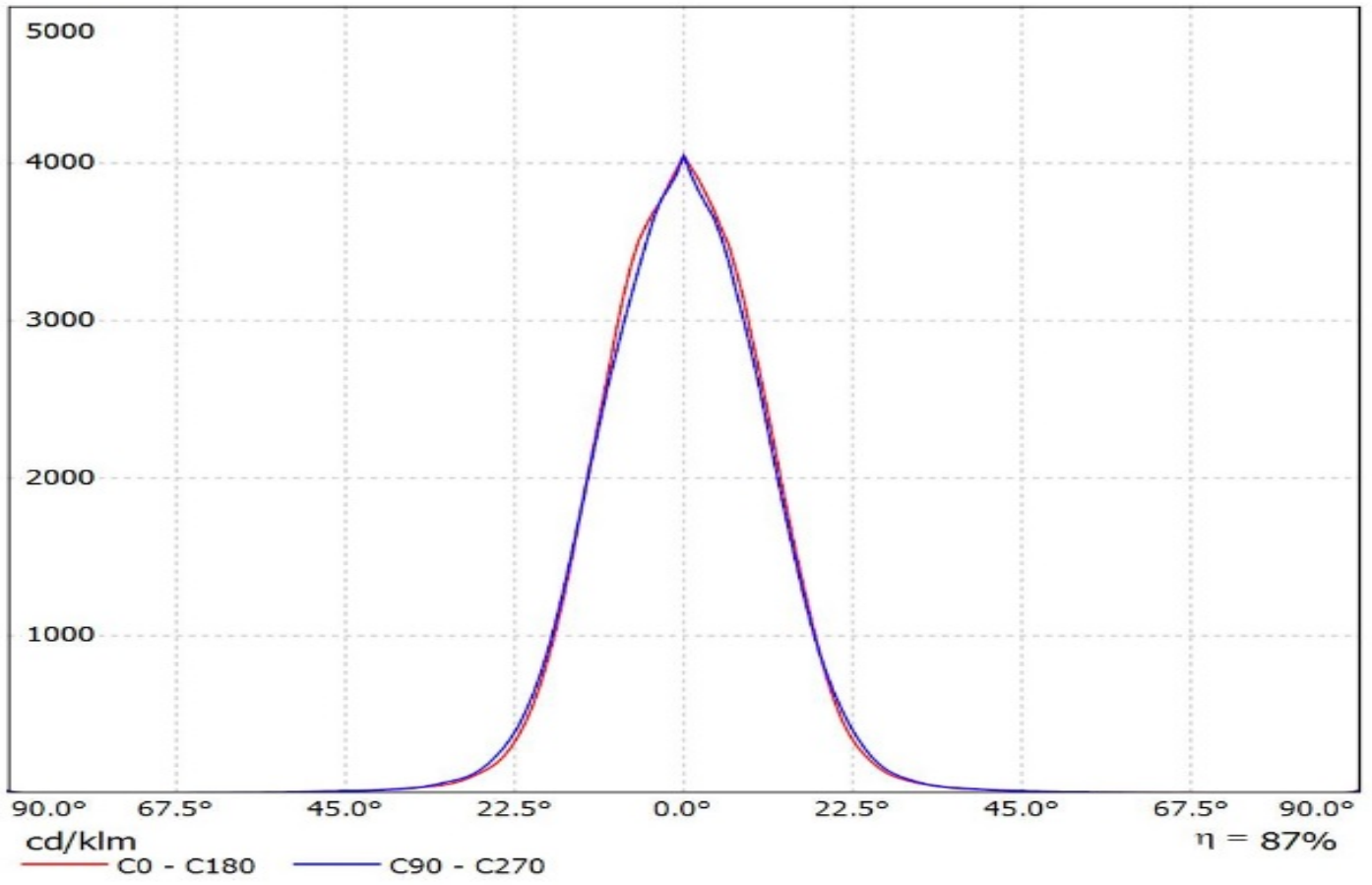
Luminaire: Ledil Oy CA14510_G2-LXP2-M_(XT-E)_SIMULATED
Lamps: 1 x Cree XT-E



Luminaire: Ledil Oy CA14510_G2-LXP2-M_(LG_H35C1)_SIMULATED
Lamps: 1 x LG H35C1

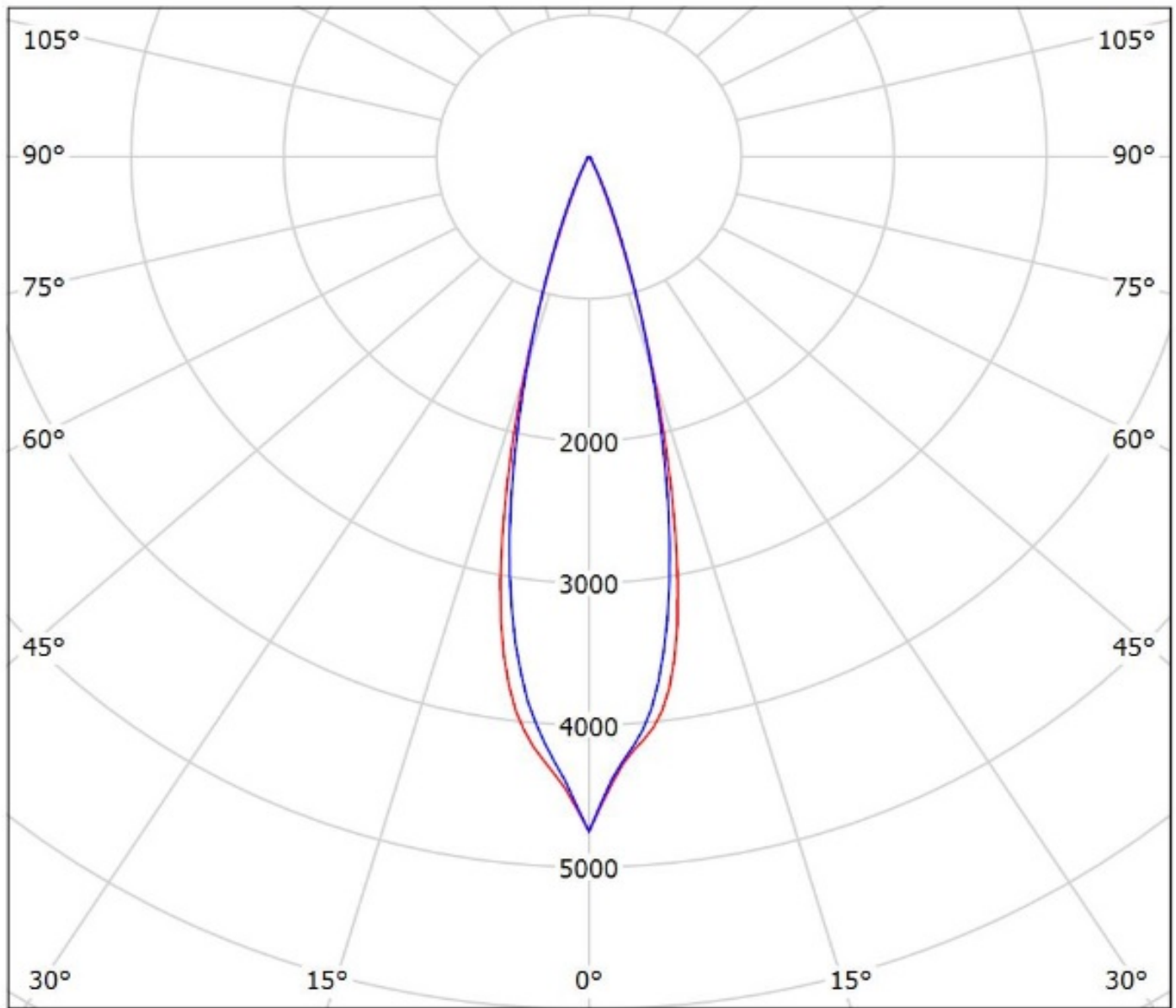


Luminaire: Ledil Oy CA14510_G2-LXP2-M_(NVSxx19B)_SIMULATED
Lamps: 1 x Nichia NVSxx19V (NVSW219B)



Luminaire: Ledil Oy CA14510_G2-LXP2-M-XPG2_SIMULATED

Lamps: 1 x Cree XP-G2

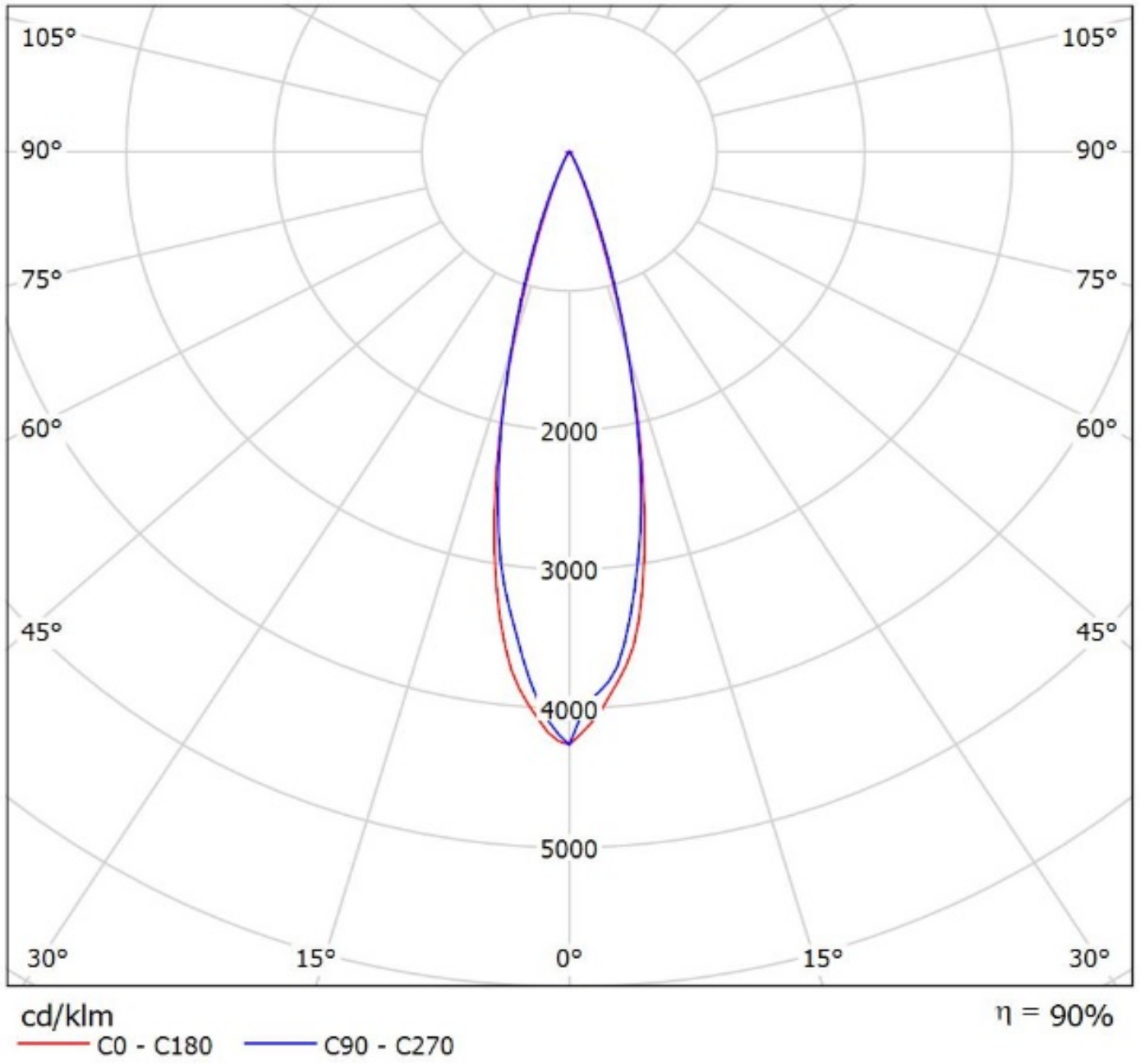


cd/klm

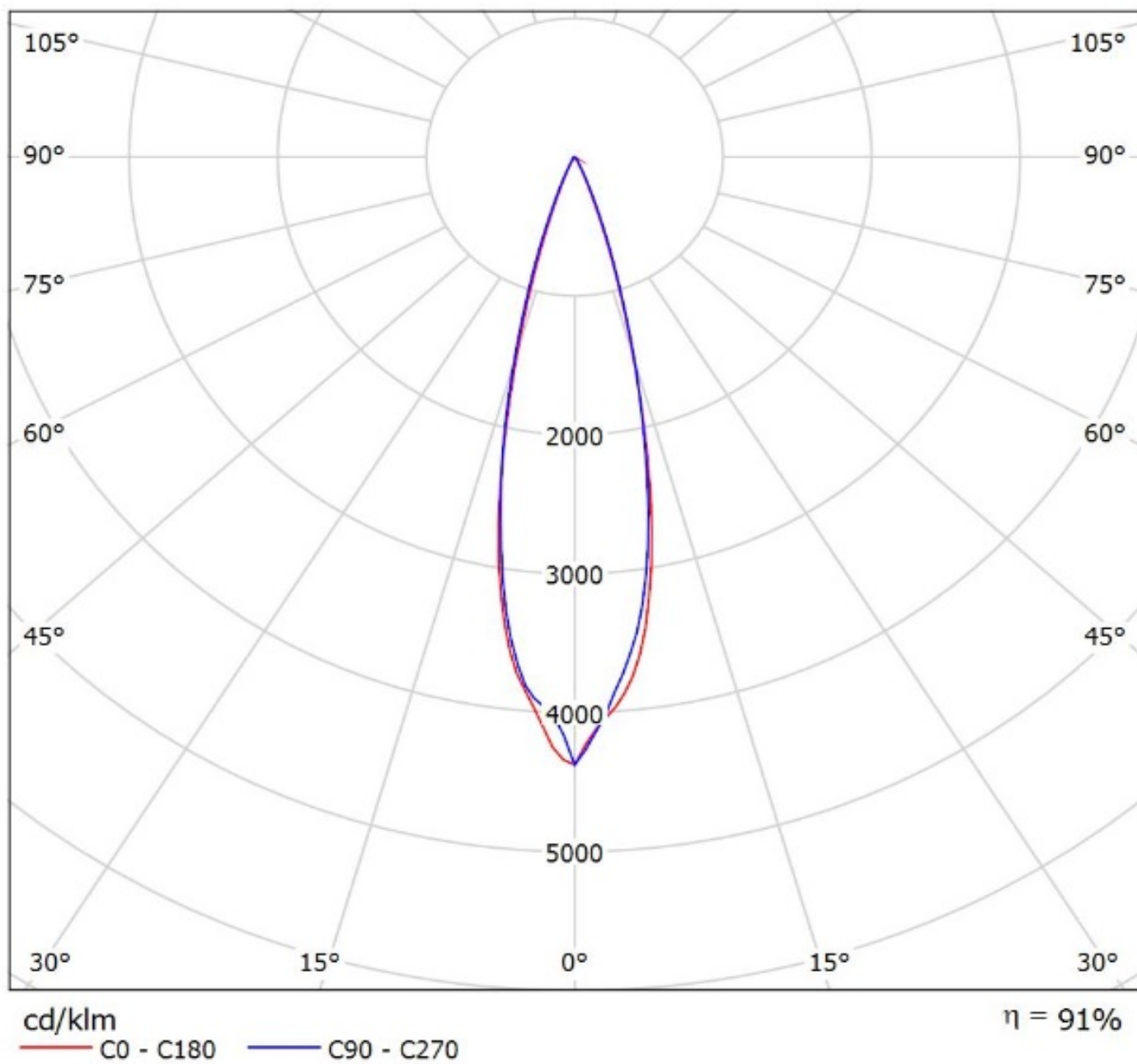
— C0 - C180 — C90 - C270

$\eta = 97\%$

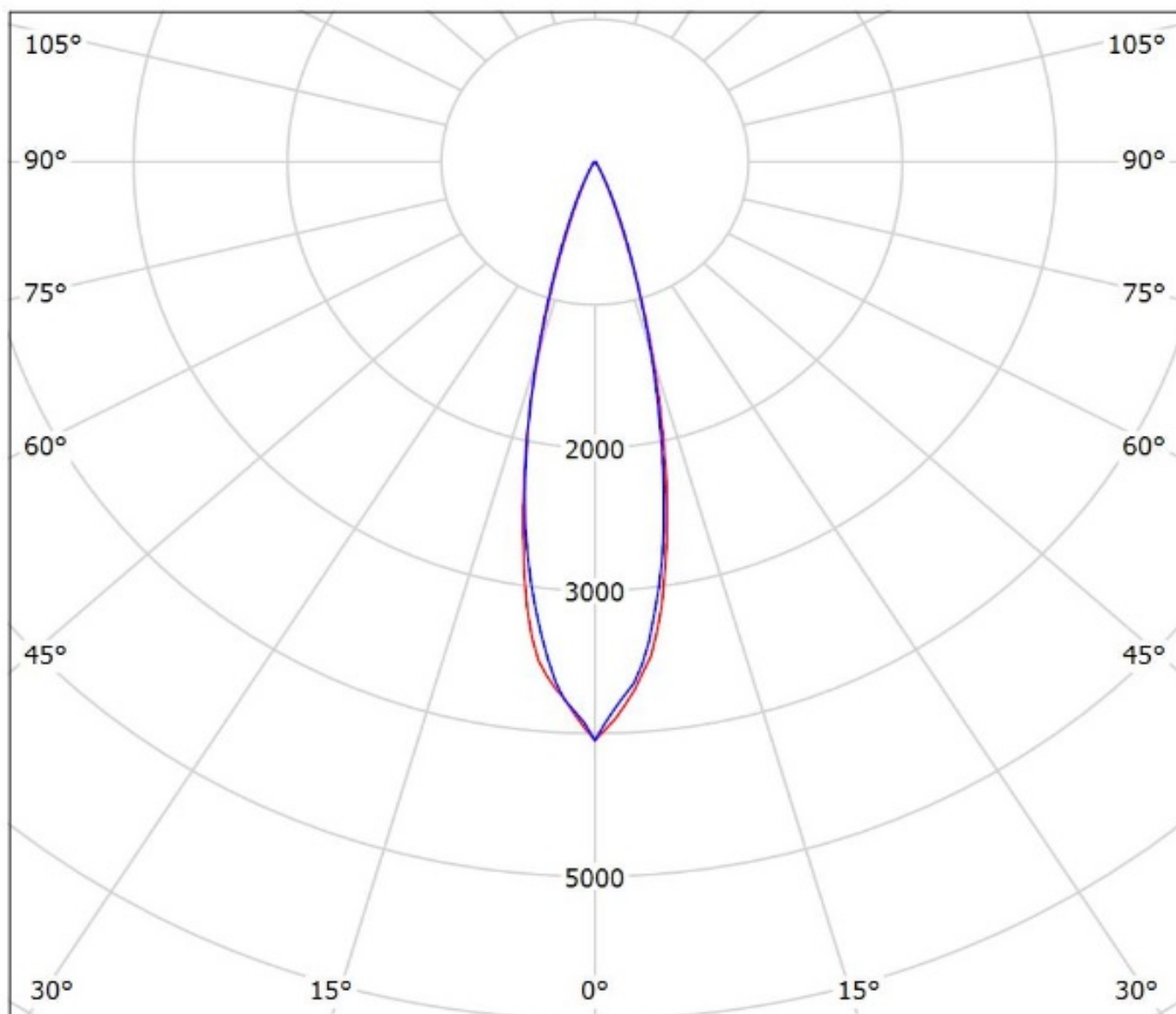
Luminaire: Ledil Oy CA14510_G2-LXP2-M_(XT-E)_SIMULATED
Lamps: 1 x Cree XT-E



Luminaire: Ledil Oy CA14510_G2-LXP2-M_(LG_H35C1)_SIMULATED
Lamps: 1 x LG H35C1



Luminaire: Ledil Oy CA14510_G2-LXP2-M_(NVSxx19B)_SIMULATED
Lamps: 1 x Nichia NVSxx19V (NVSW219B)



cd/klm

— C0 - C180 — C90 - C270

$\eta = 87\%$

NOTE: The typical divergence will be changed by different color, chip size and chip position tolerance. The typical total divergence is the full angle measured where the luminous intensity is half of the peak value.