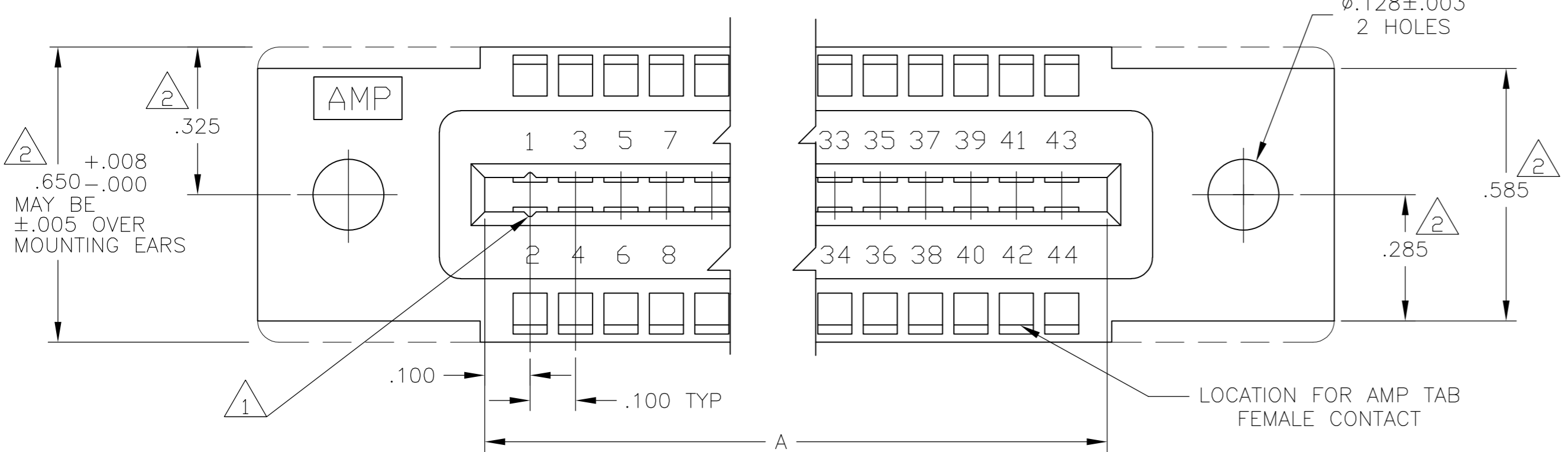
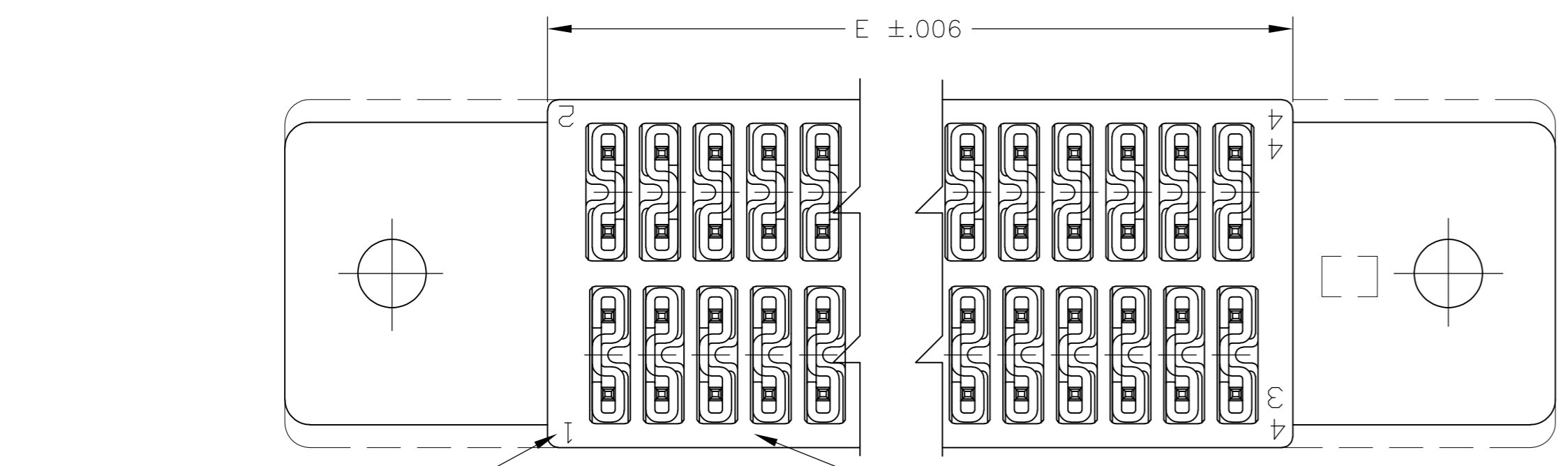
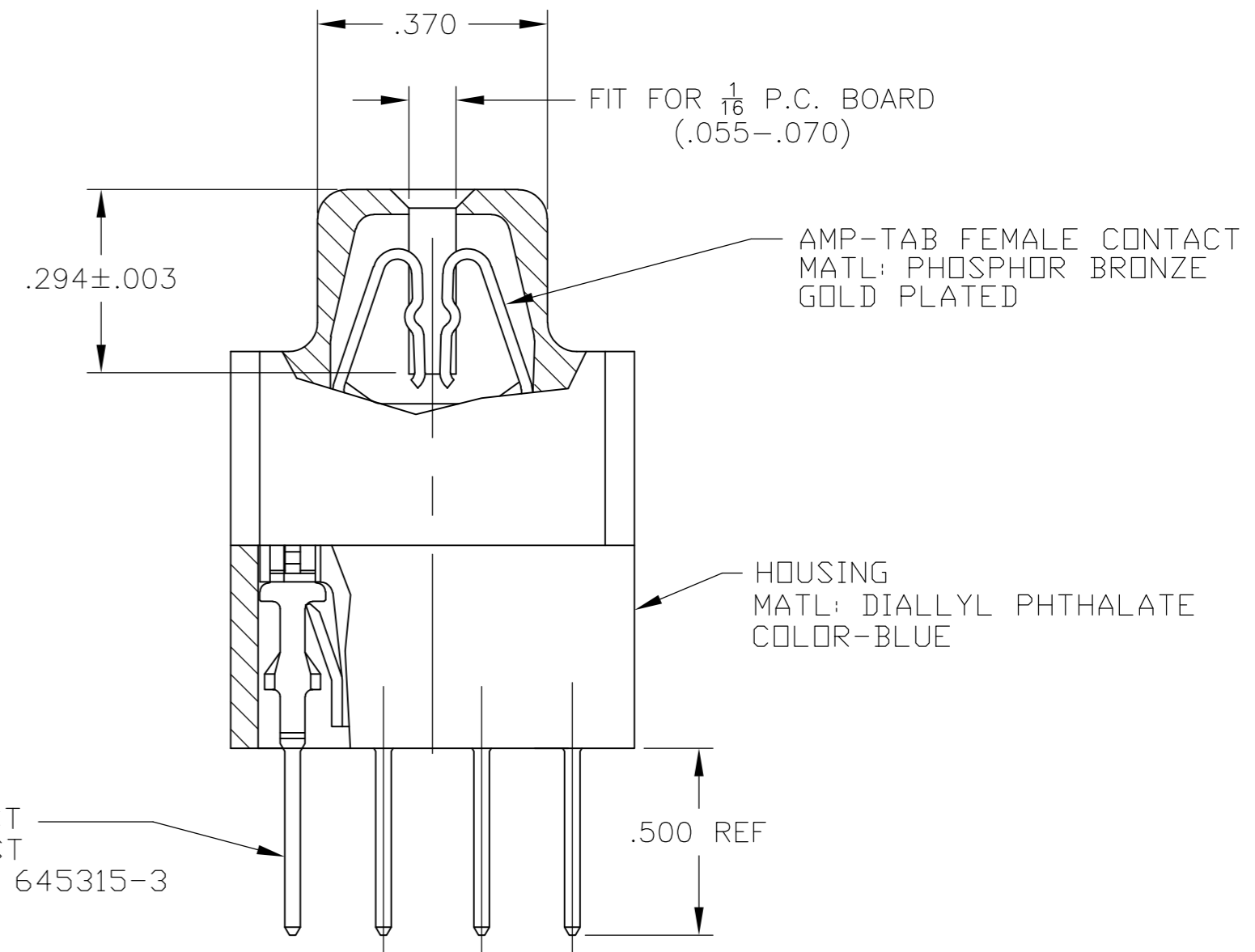
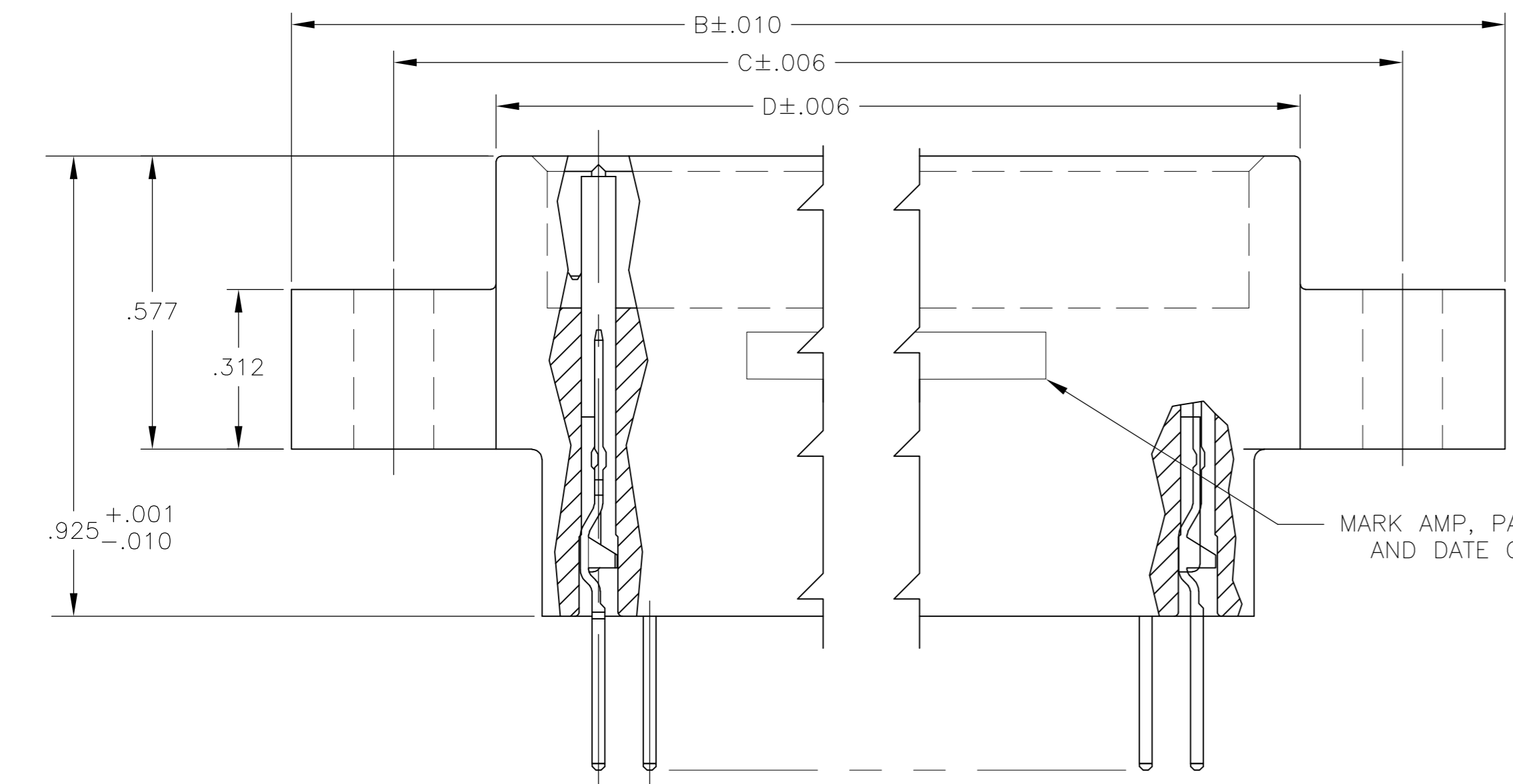


THIS DRAWING IS UNPUBLISHED. RELEASED FOR PUBLICATION
 © COPYRIGHT BY TYCO ELECTRONICS CORPORATION. ALL INTERNATIONAL RIGHTS RESERVED.

LOC		DIST		REVISIONS			
P	LTR	DESCRIPTION	DATE	DWN	APVD		
M		ECO-08-029262	26JUN0909	PY	DE		



- 1 GROOVES FOR "ON CONTACT KEYING" AMP'S OPTION DEPENDING ON METHOD OF MANUFACTURE. FOR "ON CONTACT" KEYING, USE KEYING PLUG 583487-1 (MUST BE ORDERED SEPARATELY)
- 2 MOUNTING EAR CONFIGURATION AMP'S OPTION DEPENDING ON METHOD OF MANUFACTURE



CIRCUIT CAVITY IDENT WHITE PER MIL-C-21097 B

COLOR CODED:
 FIRST 5 POSITIONS WHITE
 NEXT 5 POSITIONS PLAIN
 THIRD 5 POSITIONS WHITE, ETC

OBSOLETE

2.320	2.500	2.900	3.300	2.300	22	645224-4
1.920	2.100	2.500	2.900	1.900	18	645224-3
1.620	1.800	2.200	2.600	1.600	15	645224-2
1.120	1.300	1.700	2.100	1.100	10	645224-1
DIM E	DIM D	DIM C	DIM B	DIM A	POSN	PART NO.

THIS DRAWING IS A CONTROLLED DOCUMENT.

DIMENSIONS: INCHES	TOLERANCES UNLESS OTHERWISE SPECIFIED:	DWN P. YEAGER 26JUN2009	Tyco Electronics Corporation Harrisburg, PA 17105-3608	
	0 PLC ± -	CHK D. EABY 26JUN09	AMP TAB CONNECTOR ASSY .100 CENTERS, QUAD	
	1 PLC ± -	APVD D. EABY 26JUN09	-	
	2 PLC ± -	PRODUCT SPEC	-	
	3 PLC ± .005	APPLICATION SPEC	-	
MATERIAL SEE CALLOUTS	4 PLC ± .0005	WEIGHT -	SIZE A2	CAGE CODE 00779
	ANGLES ± 0°30'	CUSTOMER DRAWING	DRAWING NO C=645224	RESTRICTED TO -
SEE CALLOUTS		SCALE 4:1	SHEET 1 of 1	REV M