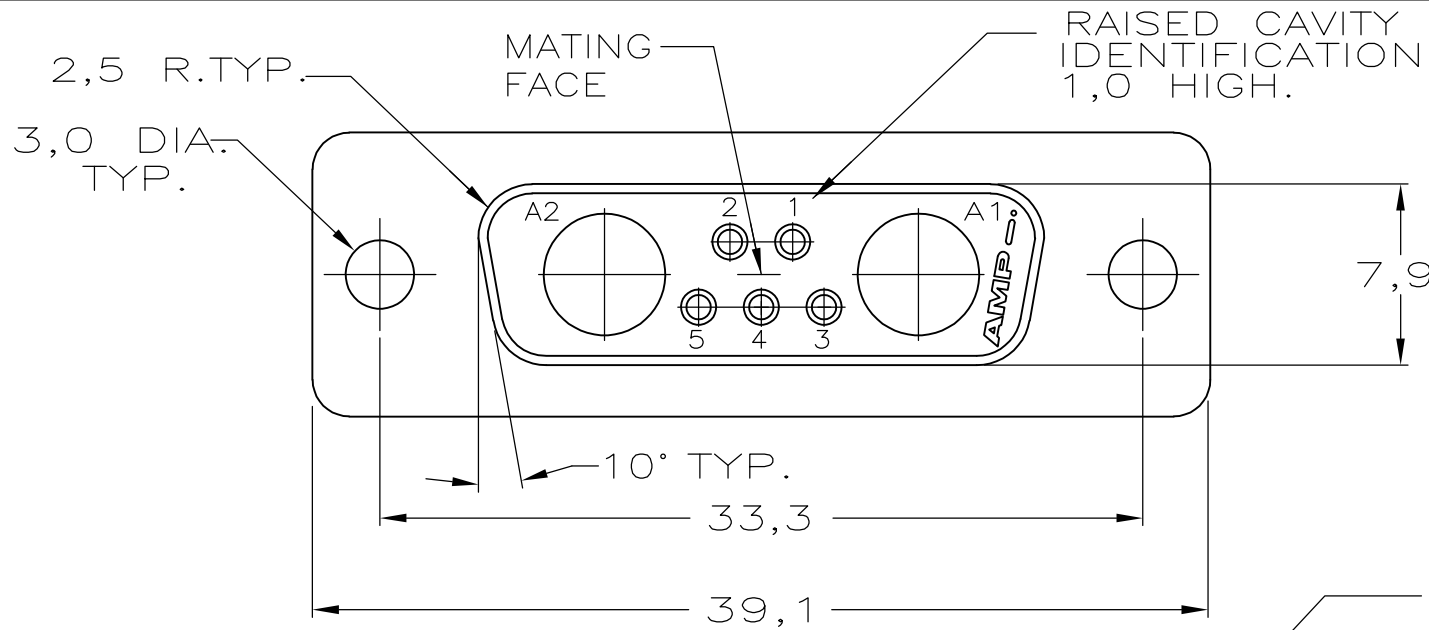
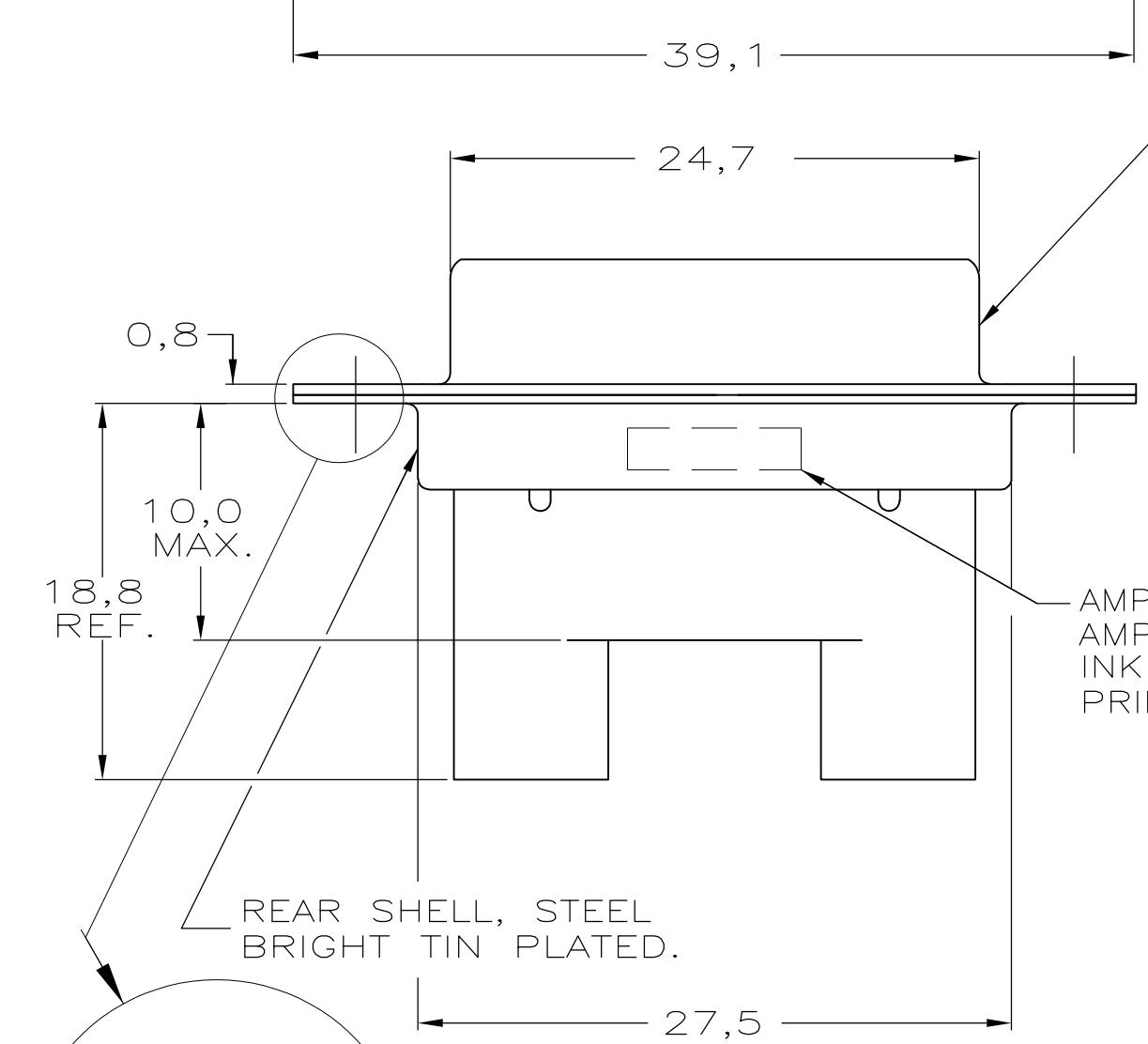


THIS DRAWING IS UNPUBLISHED. RELEASED FOR PUBLICATION  
 © COPYRIGHT - By - ALL RIGHTS RESERVED.

LOC	DIST	REVISIONS					
GP	00	P	LTR	DESCRIPTION	DATE	DWN	APVD
		D		REVISED PER ECO-14-008376	11DEC2014	CJV	DLG

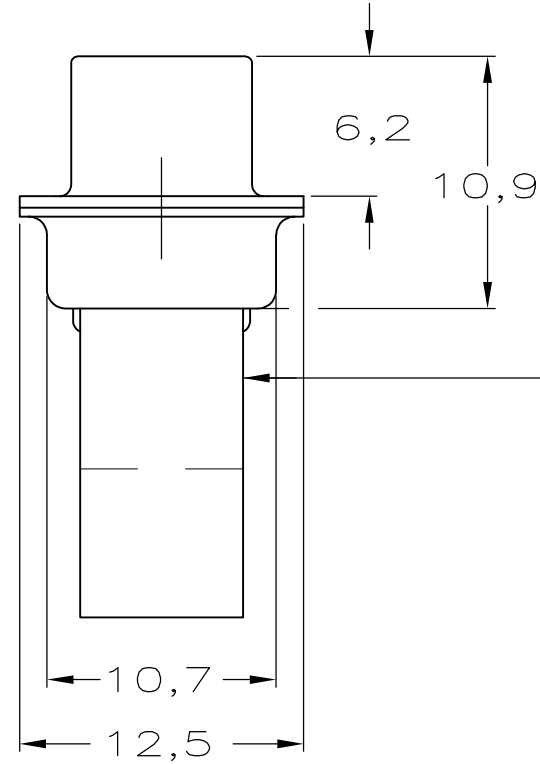


NOTES: 1 THIS PLUG ACCEPT SIZE 20 SIGNAL SOCKET-CONTACTS AND SIZE 8 POWER/COAX SOCKET-CONTACTS.  
 2 FOLLOWING INSERTION/REMOVAL TOOLS ARE RECOMMENDED FOR USE WITH THESE CONNECTORS,  
 SIGNAL CONTACTS:  
 32-28AWG/28-24AWG CONT's | 24-20AWG CONTACTS  
 91067-3 INSERTION/REMOVAL | 91067-2 INSERTION/REMOVAL  
 726363-1 INSERTION ONLY | 726363-1 INSERTION ONLY  
 726364-1 REMOVAL ONLY  
 POWER/COAX CONTACTS : 58095-1 REMOVAL ONLY

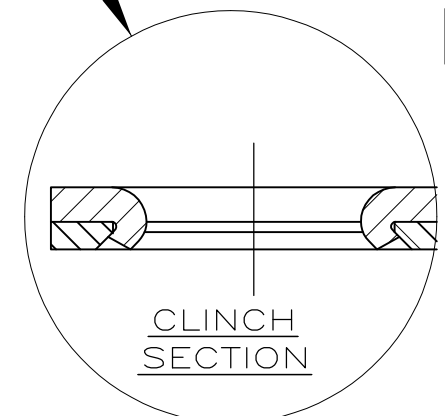


FRONT SHELL STEEL, BRIGHT TINPLATED

AMP DATE CODE  
 AMP PART NO.  
 INK STAMPED  
 PRINT IN BLACK



INSERTS NYLON  
 GLASS-FILLED  
 SELF-EXTINGUISHING  
 COLOR: BLACK



215927-1  
 PART NUMBER

THIS DRAWING IS A CONTROLLED DOCUMENT.		DWN	R. VISSER	17NOV1987	TE Connectivity HDP-20 REC. CONNECTOR, 7C2 , MIXED (SIZE 2) (HIGH PROFILE)	SIZE		CAGE CODE	DRAWING NO	RESTRICTED TO	
DIMENSIONS: mm		CHK	C. v. TILBURG	17NOV1987		NAME		A3	00779	C-215927	-
TOLERANCES UNLESS OTHERWISE SPECIFIED:		APVD	L. V. SOEST	23NOV1987		APPLICATION SPEC		SCALE		SHEET	REV
0 PLC ± -		MATERIAL		FINISH		WEIGHT		NTS		1 OF 1	D
1 PLC ± -		CUSTOMER DRAWING		SCALE		SHEET		1 OF 1		REV	
2 PLC ± -											
3 PLC ± -											
4 PLC ± -											
ANGLES ± -											