



# PRODUCT DATASHEET

## Eva series

last update 14/6/2012

### DETAILS

<b>Product Number</b>	CP12857_EVA-O
<b>Family</b>	Eva
<b>Type</b>	Assembly
<b>Color</b>	black
<b>Diameter</b>	37,7 mm
<b>Height</b>	17 mm
<b>Style</b>	round
<b>Optic Material</b>	PMMA
<b>Holder Material</b>	
<b>Fastening</b>	screw, glue
<b>Status</b>	production ready
<b>ROHS Compliant</b>	Yes
<b>Date Updated</b>	14/06/2012

### OPTICAL PROPERTIES

LED	Viewing Angle	Light Beam	Efficiency	cd/lm	Connector
LUXEON M/MX	20.5+37 deg	Oval	83 %	2.700	-



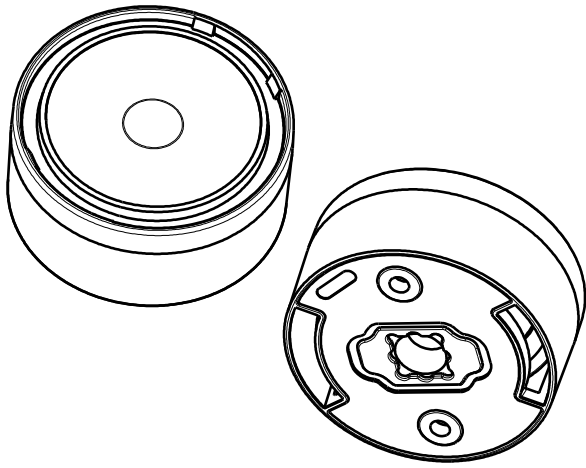
D

C

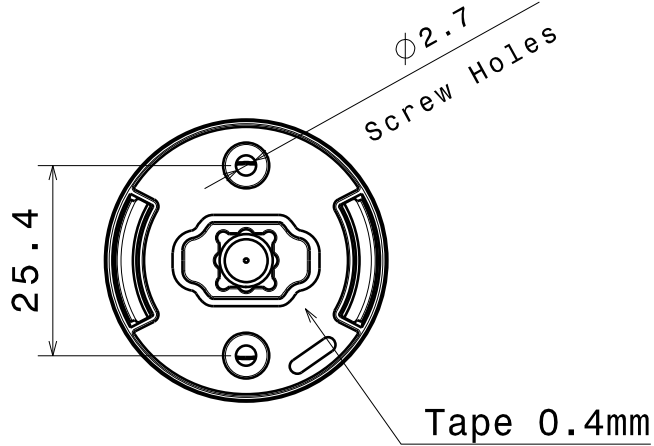
B

A

4



Isometric view

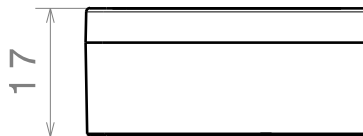


25.4

Ø2.7  
Screw Holes

Tape 0.4mm

3

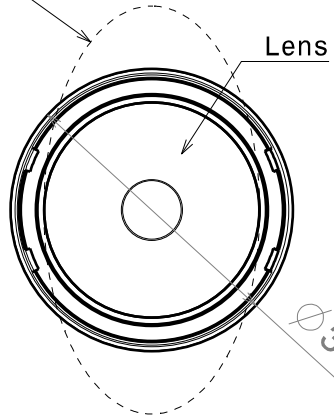


17

Front view

2

Oval beam direction



Lens

Top view

Ø37.7

Materials:  
 Lens PMMA  
 Holder PC, BLACK

This drawing is our property.  
 It can't be reproduced  
 or communicated without  
 our written agreement.



Ledil Oy  
 Tehdaskatu 13  
 FIN-24100 SALO  
 Finland

DRAWING TITLE  
 Datasheet EVA-LUXEON-M Assembly

DRAWN BY  
 mav

DATE  
 12.4.2012

CHECKED BY  
 sn

DATE  
 12.4.2012

SIZE  
 A4

DRAWING NUMBER

REV  
 1

DESIGNED BY  
 pl

DATE  
 17.02.2011

SCALE 2:1

WEIGHT (g)

SHEET 1/1

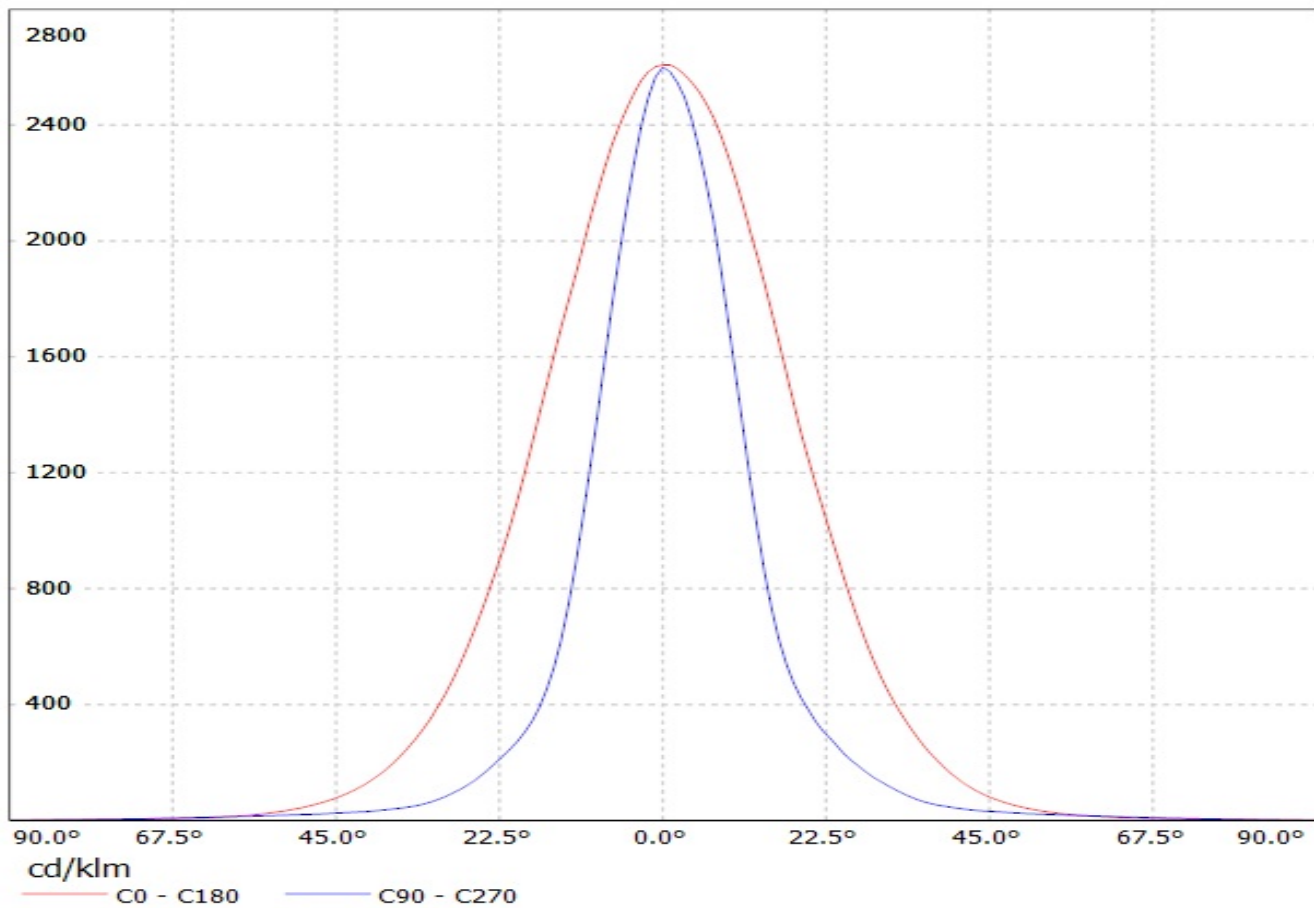
D

A

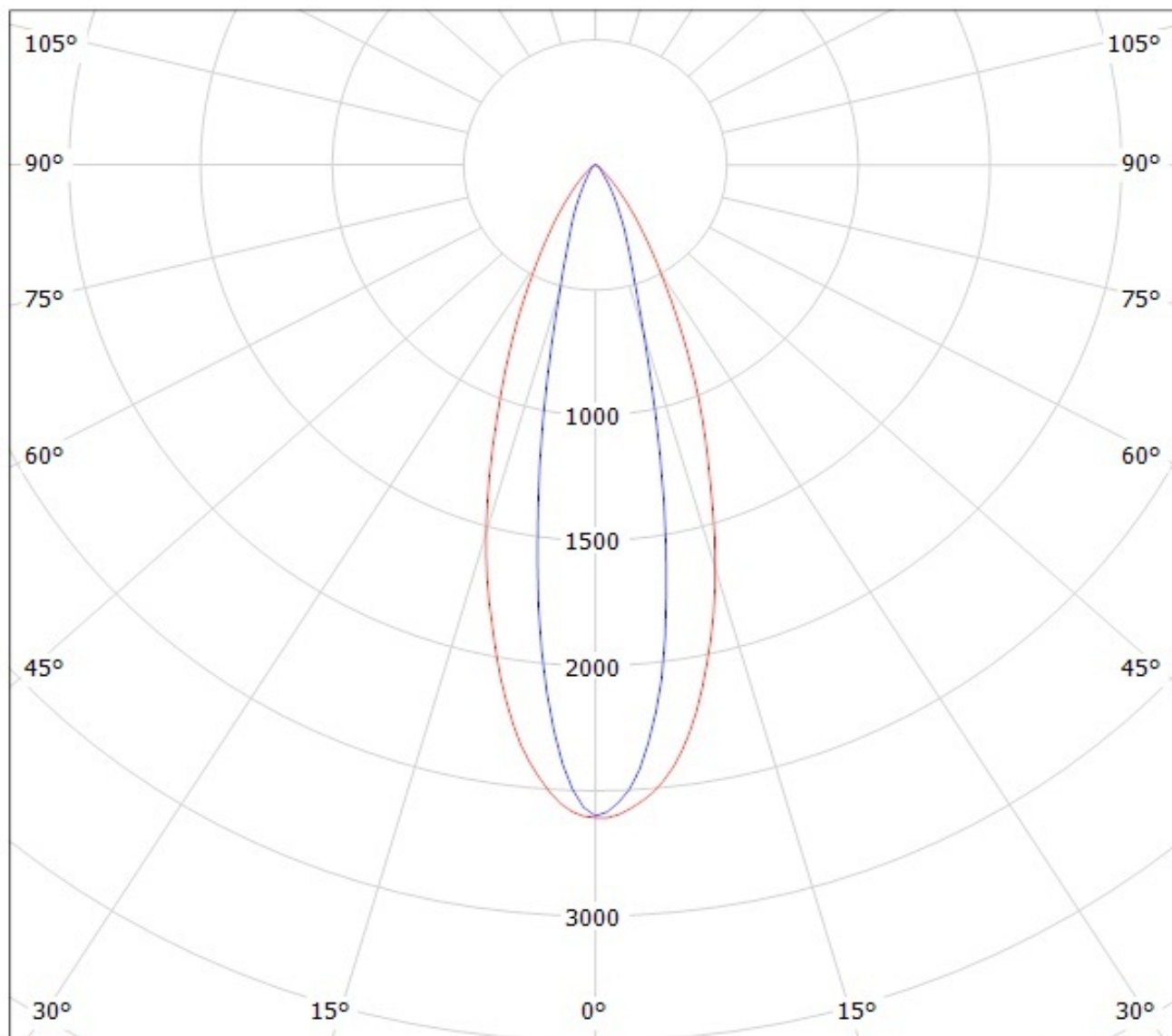
1

1

Luminaire: LEDIL OY CA12858\_EVA-O / CP12857\_EVA-O (Luxeon M) Efficiency=83%  
Lamps: 1 x Luxeon M (362lm @ 250mA)



Luminaire: LEDIL OY CA12858\_EVA-O / CP12857\_EVA-O (Luxeon M) Efficiency=83%  
Lamps: 1 x Luxeon M (362lm @ 250mA)



cd/klm

— C0 - C180

— C90 - C270

**NOTE: The typical divergence will be changed by different color, chip size and chip position tolerance. The typical total divergence is the full angle measured where the luminous intensity is half of the peak value.**